



Simple, robust magnetic ballast

HID-High Power ballasts for HPL and HPI lamps

The HID High-Power ballast is an impregnated (HID standard) electromagnetic copper/iron ballast for use with an external ignitor for HID lamps.

Benefits

- Limited volume of ballast coil; also lightweight
- Simple installation and cabling

Features

- Orthocyclic winding process
- Ballasts equipped with screw terminal blocks as standard
- Earthing-while-mounting facility (HID Standard ballasts)
- Low watt losses

Application

- For use with HPL, HPI and HPI (PLUS) lamps in industry, floor, public, area and road lighting
- HID-Basic ballasts should be restricted to built-in situations where relative humidity is limited.

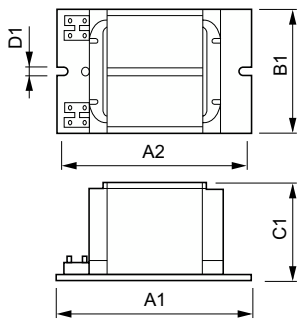
HID-High Power ballasts for HPL and HPI lamps

Versions



GPPR_HPHPL-Product photo

Dimensional drawing



Product	D1	C1	A1	A2
BHL 1000L 202	7 mm	102.0 mm	165 mm	123 mm

