



# Long-lasting, reliable solution

## HID-HeavyDuty BSN semi-parallel for SON/CDO/MH/HPI

Encapsulated electromagnetic copper/iron ballasts for use with an external semi-parallel ignitor for CDM, CDO, MH, HPI (Plus) and SON lamps

### Benefits

- Excellent resistance to chemical impact, humid conditions and environmental stress crack
- Long-lasting reliable solution – outstanding product lifetime of 15 years average
- Minimal watt losses thanks to orthocyclic winding process
- Control gear can be installed remotely

### Features

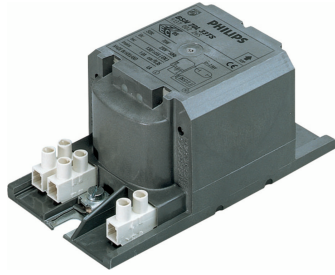
- Encapsulated with thermoplastic polyester resin, reinforced with glass fiber
- Equipped with screw terminal blocks as standard; insert contacts available upon request
- Ballasts for alternative mains voltages/frequencies available upon request
- Separate earth terminal (HID 'Heavy Duty')

### Application

- Outdoor lighting (most popular application: road and tunnel lighting)

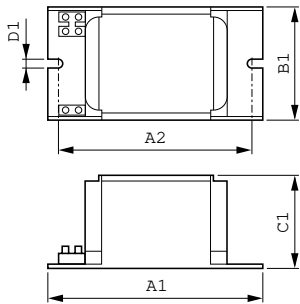
# HID-HeavyDuty BSN semi-parallel for SON/CDO/MH/HPI

## Versions



GPPR BSN-HD PHL

## Dimensional drawing



Product	D1	C1	A1	A2	B1
BSN 400 L33-A2-TS 230V 50Hz	6.2 mm	84.0 mm	166.0 mm	147.5 mm	102.0 mm
HD3-166					

