



# Xtreme drivers for maximum energy savings

## DynaVision Programmable Xtreme for SON

Highly reliable and flexible electronic drivers for SON lamps; designed to save energy via integrated controls, and to reduce maintenance costs thanks to 80,000-hour lifetime and integrated lightning protection. The DynaVision Programmable product family is the perfect basis for any sort of lighting management solution.

### Benefits

- Enables 2-way communication with the lighting network (via DALI)
- Up to 40% energy saving due to the integrated dimming options and very high driver efficiency
- Minimizes maintenance cost due to the Xtreme lifetime of 80,000 hours and integrated lightning protection

### Features

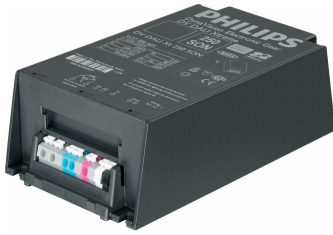
- Programmable by means of standard digital interface (DALI) and controllable via DALI protocol
- Integrates several control options (DynaDimmer, LineSwitch, AmpDim, Constant Light Output, Adjustable Light Output )
- Xtreme long lifetime of 80,000 hours with minimum 90% survival at  $T_c = 80\text{ }^\circ\text{C}$
- Xtreme lightning protection 10 kV/5 kA
- Accurate lamp power stabilization of 95-97% over wide mains-voltage range of 180-300 V

### Application

- Road/highway lighting
- Residential lighting
- City beautification

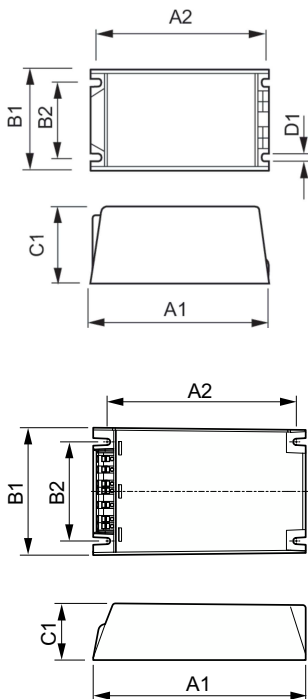
# DynaVision Programmable Xtreme for SON

## Versions



GPPR\_IDVLSCPO\_0005-Product photo

## Dimensional drawing



| Product            | D1     | C1      | A1       | A2       | B1       | B2      |
|--------------------|--------|---------|----------|----------|----------|---------|
| HID-DV PROG Xt 250 | 4.8 mm | 58.0 mm | 169.0 mm | 156.0 mm | 100.0 mm | 81.5 mm |
| SON C2 208-277V    |        |         |          |          |          |         |

| Product                | D1     | C1      | A1       | A2       | B1      | B2      |
|------------------------|--------|---------|----------|----------|---------|---------|
| HID-DV PROG Xt 100     | 4.5 mm | 40.0 mm | 150.0 mm | 133.6 mm | 90.0 mm | 70.0 mm |
| SON Q 208-277V         |        |         |          |          |         |         |
| HID-DV PROG Xt 150 SON | 4.5 mm | 40.0 mm | 150.0 mm | 133.6 mm | 90.0 mm | 70.0 mm |
| Q 208-277V             |        |         |          |          |         |         |
| HID-DV PROG Xt 50 SON  | 4.5 mm | 40.0 mm | 150.0 mm | 133.6 mm | 90.0 mm | 70.0 mm |
| Q 208-277V             |        |         |          |          |         |         |
| HID-DV PROG Xt 70 SON  | 4.5 mm | 40.0 mm | 150.0 mm | 133.6 mm | 90.0 mm | 70.0 mm |
| Q 208-277V             |        |         |          |          |         |         |

### Operating and Electrical

|                 |               |
|-----------------|---------------|
| Input Frequency | 50 to 60 Hz   |
| Input Voltage   | 208-240-277 V |
| Line Frequency  | 50 to 60 Hz   |

## Operating and Electrical

| Order Code | Full Product Name                  | Number of Products on MCB<br>(16A Type B) (Nom) |
|------------|------------------------------------|---|
| 21991000   | HID-DV PROG Xt 250 SON C2 208-277V | 11  |
| 66924100   | HID-DV PROG Xt 50 SON Q 208-277V   | 11  |
| 66926500   | HID-DV PROG Xt 70 SON Q 208-277V   | 11  |

| Order Code | Full Product Name                 | Number of Products on MCB<br>(16A Type B) (Nom) |
|------------|-----------------------------------|---|
| 66928900   | HID-DV PROG Xt 100 SON Q 208-277V | 5   |
| 66930200   | HID-DV PROG Xt 150 SON Q 208-277V | 5   |

# DynaVision Programmable Xtreme for SON

## Mechanical and Housing

| Order Code | Full Product Name                  | Housing |
|------------|------------------------------------|---------|
| 21991000   | HID-DV PROG Xt 250 SON C2 208-277V | C2      |
| 66924100   | HID-DV PROG Xt 50 SON Q 208-277V   | Q       |
| 66926500   | HID-DV PROG Xt 70 SON Q 208-277V   | Q       |

| Order Code | Full Product Name                 | Housing |
|------------|-----------------------------------|---------|
| 66928900   | HID-DV PROG Xt 100 SON Q 208-277V | Q       |
| 66930200   | HID-DV PROG Xt 150 SON Q 208-277V | Q       |

