



Xtreme drivers for maximum energy savings

DynaVision Programmable Xtreme for SON

Highly reliable and flexible electronic drivers for SON lamps; designed to save energy via integrated controls, and to reduce maintenance costs thanks to 80,000-hour lifetime and integrated lightning protection. The DynaVision Programmable product family is the perfect basis for any sort of lighting management solution.

Benefits

- Enables 2-way communication with the lighting network (via DALI)
- Up to 40% energy saving due to the integrated dimming options and very high driver efficiency
- Minimizes maintenance cost due to the Xtreme lifetime of 80,000 hours and integrated lightning protection

Features

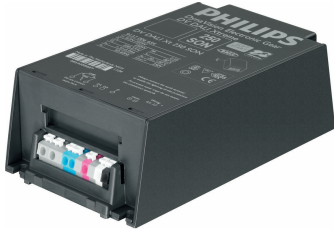
- Programmable by means of standard digital interface (DALI) and controllable via DALI protocol
- Integrates several control options (DynaDimmer, LineSwitch, AmpDim, Constant Light Output, Adjustable Light Output)
- Xtreme long lifetime of 80,000 hours with minimum 90% survival at $T_c = 80\text{ }^\circ\text{C}$
- Xtreme lightning protection 10 kV/5 kA
- Accurate lamp power stabilization of 95-97% over wide mains-voltage range of 180-300 V

Application

- Road/highway lighting
- Residential lighting
- City beautification

DynaVision Programmable Xtreme for SON

Versions

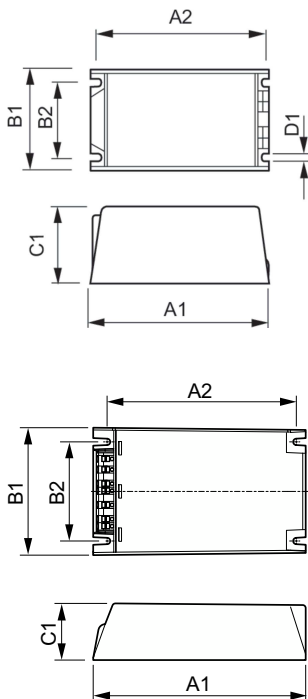


GPPR_IDVLSPO_0005-Product photo



GPPR IDVLSOON 0002

Dimensional drawing



Product	D1	C1	A1	A2	B1	B2
HID-DV PROG Xt 250 SON C2 208-277V	4.8 mm	58.0 mm	169.0 mm	156.0 mm	100.0 mm	81.5 mm

Product	D1	C1	A1	A2	B1	B2
HID-DV PROG Xt 100 SON Q 208-277V	4.5 mm	40.0 mm	150.0 mm	133.6 mm	90.0 mm	70.0 mm
HID-DV PROG Xt 150 SON Q 208-277V	4.5 mm	40.0 mm	150.0 mm	133.6 mm	90.0 mm	70.0 mm
HID-DV PROG Xt 50 SON Q 208-277V	4.5 mm	40.0 mm	150.0 mm	133.6 mm	90.0 mm	70.0 mm
HID-DV PROG Xt 70 SON Q 208-277V	4.5 mm	40.0 mm	150.0 mm	133.6 mm	90.0 mm	70.0 mm

Operating and Electrical

Input Frequency	50 to 60 Hz
Input Voltage	208-240-277 V
Line Frequency	50 to 60 Hz

Operating and Electrical

Order Code	Full Product Name	Number of Products on MCB (16A Type B) (Nom)
21991000	HID-DV PROG Xt 250 SON C2 208-277V	11
66924100	HID-DV PROG Xt 50 SON Q 208-277V	11
66926500	HID-DV PROG Xt 70 SON Q 208-277V	11

Order Code	Full Product Name	Number of Products on MCB (16A Type B) (Nom)
66928900	HID-DV PROG Xt 100 SON Q 208-277V	5
66930200	HID-DV PROG Xt 150 SON Q 208-277V	5

DynaVision Programmable Xtreme for SON

Mechanical and Housing

Order Code	Full Product Name	Housing
21991000	HID-DV PROG Xt 250 SON C2 208-277V	C2
66924100	HID-DV PROG Xt 50 SON Q 208-277V	Q
66926500	HID-DV PROG Xt 70 SON Q 208-277V	Q

Order Code	Full Product Name	Housing
66928900	HID-DV PROG Xt 100 SON Q 208-277V	Q
66930200	HID-DV PROG Xt 150 SON Q 208-277V	Q

