



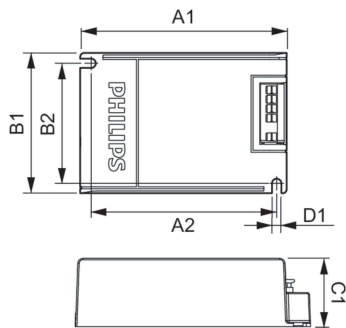
# HID-PV/DV economy for CPO-CDM

## Versions



GPPR ICVCP01 0002

## Dimensional drawing



Product	D1	C1	A1	A2	B1	B2
HID-PV E 70 /S CDM 220-240V 50/60Hz	4 mm	31.6 mm	109.8 mm	98.7 mm	74.8 mm	63.7 mm

