



# The easiest switch to comfortable white light

## MASTER CityWhite CDO-TT

Ceramic metal halide lamp with clear tubular outer bulb shape, used in outdoor offering pleasant white light

### Benefits

- White warm colour impression providing comfort and safety
- Easy upgrade from SON to white light without additional cost
- Flexible light levels and reduced energy consumption possible via dimming option

### Features

- High-quality white light
- Directly retrofit on HPS (SON/NAV) installations for upgrade from yellow to white light
- "Plus" concept with high efficacy translates into high light output and improved lumen maintenance
- Good colour rendering and harmonized warm white colour temperature
- Dimmable

### Application

- Beautification and functional lighting for City centers, shopping centers and pedestrian areas, residential areas, road lighting and floodlighting

### Warnings and Safety

- Use only in totally enclosed luminaire, even during testing (IEC61167, IEC 62035, IEC60598)
- The luminaire must be able to contain hot lamp parts if the lamp ruptures
- Lamps may use electronic or electromagnetic control gear
- Control gear must include end-of-life protection (IEC61167, IEC 62035)

# MASTER CityWhite CDO-TT

## Versions

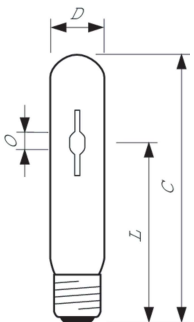
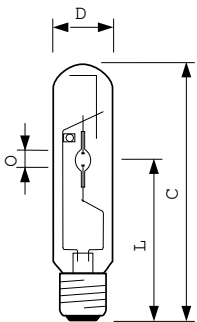


MASTER CityWhite CDO-TT Plus 70W E27



LPPR CDO-TT 0002

## Dimensional drawing



Product	D (max)	O	L	C (max)
MASTER CityWh CDO-TT Plus 150W/828 E40	47 mm	10 mm	132 mm	211 mm
MASTER CityWh CDO-TT Plus 150W/942 E40	46 mm	10 mm	132 mm	211 mm

Product	D (max)	O	L	C (max)
MASTER CityWh CDO-TT Plus 70W/828 E27	36 mm	7.15 mm	102 mm	156 mm
MASTER CityWh CDO-TT Plus 70W/942 E27	36 mm	7.75 mm	102 mm	156 mm

### General Information

Operating Position UNIVERSAL

### Controls and Dimming

Dimmable Yes

### Mechanical and Housing

Bulb Finish Clear

## General Information

# MASTER CityWhite CDO-TT

Order Code	Full Product Name	Cap-Base
928082619230	MASTER CityWh CDO-TT Plus 70W/942 E27	E27
928082519230	MASTER CityWh CDO-TT Plus 150W/942 E40	E40

Order Code	Full Product Name	Cap-Base
928082019235	MASTER CityWh CDO-TT Plus 70W/828 E27	E27
928082219231	MASTER CityWh CDO-TT Plus 150W/828 E40	E40

## Light Technical

Order Code	Full Product Name	Chromaticity	Chromaticity	Color Designation	Correlated Color Temperature (Nom)	Color	Luminous Efficacy (rated) (Nom)	Luminous Flux
		Coordinate X (Nom)	Coordinate Y (Nom)			rendering index (CRI)		
928082619230	MASTER CityWh CDO-TT Plus 70W/942 E27	0.371	0.366	Cool White (CW)	4200 K	90	101 lm/W	7,500 lm
928082519230	MASTER CityWh CDO-TT Plus 150W/942 E40	0.371	0.366	Cool White (CW)	4200 K	91	107 lm/W	16,100 lm
928082019235	MASTER CityWh CDO-TT Plus 70W/828 E27	0.447	0.4	Warm White (WW)	2800 K	86	105 lm/W	7,750 lm
928082219231	MASTER CityWh CDO-TT Plus 150W/828 E40	0.447	0.4	Warm White (WW)	2800 K	87	110 lm/W	16,400 lm

## Operating and Electrical

Order Code	Full Product Name	Voltage (Nom)	Power Consumption
928082619230	MASTER CityWh CDO-TT Plus 70W/942 E27	96 V	74.0 W
928082519230	MASTER CityWh CDO-TT Plus 150W/942 E40	97 V	150.0 W

Order Code	Full Product Name	Voltage (Nom)	Power Consumption
928082019235	MASTER CityWh CDO-TT Plus 70W/828 E27	91 V	73.5 W
928082219231	MASTER CityWh CDO-TT Plus 150W/828 E40	99 V	148.5 W

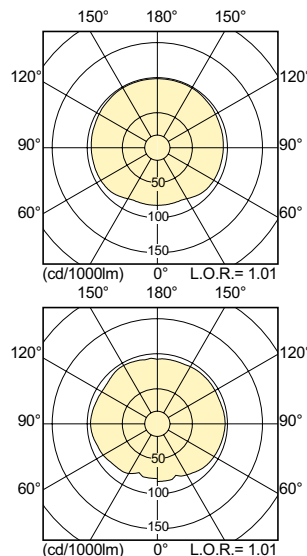
## Mechanical and Housing

Order Code	Full Product Name	Bulb Shape
928082619230	MASTER CityWh CDO-TT Plus 70W/942 E27	T35
928082519230	MASTER CityWh CDO-TT Plus 150W/942 E40	T46

Order Code	Full Product Name	Bulb Shape
928082019235	MASTER CityWh CDO-TT Plus 70W/828 E27	T35
928082219231	MASTER CityWh CDO-TT Plus 150W/828 E40	T46

## Approval and Application

Order Code	Full Product Name	Energy Consumption kWh/1000 h	Mercury (Hg) Content (Max)	Mercury (Hg) Content (Nom)
928082619230	MASTER CityWh CDO-TT Plus 70W/942 E27	74 kWh	6.6 mg	6.6 mg
928082519230	MASTER CityWh CDO-TT Plus 150W/942 E40	150 kWh	13 mg	12.6 mg
928082019235	MASTER CityWh CDO-TT Plus 70W/828 E27	74 kWh	7.8 mg	7.8 mg
928082219231	MASTER CityWh CDO-TT Plus 150W/828 E40	149 kWh	15.8 mg	15.8 mg



# MASTER CityWhite CDO-TT

