



Product Description

MASTERColour CDM-T

Range of single-ended, compact, high-efficiency, discharge lamps with a stable colour over lifetime and a crisp, sparkling light

Benefits

- Stable colour impression over lifetime
- High lamp efficacy results in low operating costs and low heat generation
- Long lamp life compared with incandescent and halogen lamps
- Relatively low heat output enhances comfort for shoppers and staff
- All types are UV-Block for reduced fading risks

Features

- Warm or cool white colour impression
- Colour rendering good to excellent
- Allows small-size luminaire designs that give high beam intensities

Application

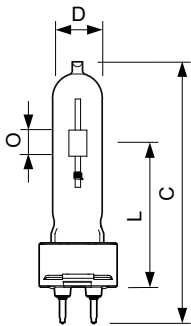
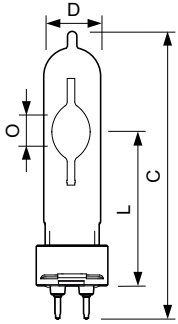
- Shops and shop windows, offices and public buildings
- Decorative outdoor: floodlighting and pedestrian areas

Warnings and Safety

- Use only in totally enclosed luminaire, even during testing (IEC61167, IEC 62035, IEC60598)
- The luminaire must be able to contain hot lamp parts if the lamp ruptures
- Control gear must include end-of-life protection (IEC61167, IEC 62035)
- Lamps may use electronic or electromagnetic control gear, except 35W/942 and 20W lamps, which must use electronic control gear.
- A lamp breaking is extremely unlikely to have any impact on your health. If a lamp breaks, ventilate the room for 30 minutes and remove the parts, preferably with gloves. Put them in a sealed plastic bag and take it to your local waste facilities for recycling. Do not use a vacuum cleaner.

MASTERC colour CDM-T

Dimensional drawing



Product	D (max)	O	L (min)	L (max)	L	C (max)
MASTERC CDM-T 250W/942 G12 1CT/12	25 mm	12.3 mm	71.5 mm	73.5 mm	72.5 mm	135 mm

Product	D (max)	D	O	L (min)	L (max)	L	C (max)
MASTERC CDM-T 150W/830 G12 1CT	20 mm	0.75 inch	9 mm	55 mm	57 mm	56 mm	110 mm
MASTERC CDM-T 150W/942 G12 1CT	20 mm	0.75 inch	8 mm	55 mm	57 mm	56 mm	110 mm
MASTERC CDM-T 35W/830 G12 1CT/12	20 mm	0.75 inch	5 mm	55 mm	57 mm	56 mm	103 mm
MASTERC CDM-T 35W/842 G12 1CT/12	20 mm	0.75 inch	5 mm	55 mm	57 mm	56 mm	103 mm
MASTERC CDM-T 70W/830 G12 1CT/12	20 mm	0.75 inch	7 mm	55 mm	57 mm	56 mm	103 mm
MASTERC CDM-T 70W/942 G12 1CT/12	20 mm	0.75 inch	6 mm	55 mm	57 mm	56 mm	103 mm

General Information

Cap-Base	G12
Operating Position	UNIVERSAL

Controls and Dimming

Dimmable	No
----------	----

Mechanical and Housing

Bulb Finish	Clear
-------------	-------

Light Technical

Order Code	Full Product Name	Chromaticity Coordinate X (Nom)	Chromaticity Coordinate Y (Nom)	Color Designation	Correlated Color Temperature (Nom)	Color rendering index (CRI)	Luminous Efficacy (rated) (Nom)	Luminous Flux
928082305129	MASTERC CDM-T 70W/830 G12 1CT/12	0.432	0.395	Warm White (WW)	3000 K	84	85 lm/W	-
928083105125	MASTERC CDM-T 35W/830 G12 1CT/12	0.434	0.398	Warm White (WW)	3000 K	83	79 lm/W	3,100 lm
928083705125	MASTERC CDM-T 150W/830 G12 1CT	0.434	0.398	Warm White (WW)	3000 K	88	88 lm/W	13,000 lm
928084505131	MASTERC CDM-T 70W/942 G12 1CT/12	0.371	0.366	Cool White (CW)	4200 K	92	85 lm/W	6,200 lm

MASTERC colour CDM-T

Order Code	Full Product Name	Chromaticity	Chromaticity	Color Designation	Correlated Color Temperature (Nom)	Color	Luminous Efficacy (rated) (Nom)	Luminous Flux
		Coordinate X (Nom)	Coordinate Y (Nom)			rendering index (CRI)		
928084605131	MASTERC CDM-T 150W/942 G12 1CT	0.371	0.366	Cool White (CW)	4200 K	96	82 lm/W	12,100 lm
928094205131	MASTERC CDM-T 250W/942 G12 1CT/12	0.371	0.366	Cool White (CW)	4200 K	91	105 lm/W	26,250 lm
928094305125	MASTERC CDM-T 35W/842 G12 1CT/12	0.371	0.366	Cool White (CW)	4200 K	84	77 lm/W	3,000 lm

Operating and Electrical

Order Code	Full Product Name	Voltage (Nom)	Power Consumption
928082305129	MASTERC CDM-T 70W/830 G12 1CT/12	88 V	73.2 W
928083105125	MASTERC CDM-T 35W/830 G12 1CT/12	82 V	39.1 W
928083705125	MASTERC CDM-T 150W/830 G12 1CT	96 V	150.1 W
928084505131	MASTERC CDM-T 70W/942 G12 1CT/12	88 V	73.2 W

Order Code	Full Product Name	Voltage (Nom)	Power Consumption
928084605131	MASTERC CDM-T 150W/942 G12 1CT	90 V	150.1 W
928094205131	MASTERC CDM-T 250W/942 G12 1CT/12	93 V	250.0 W
928094305125	MASTERC CDM-T 35W/842 G12 1CT/12	85 V	39.1 W

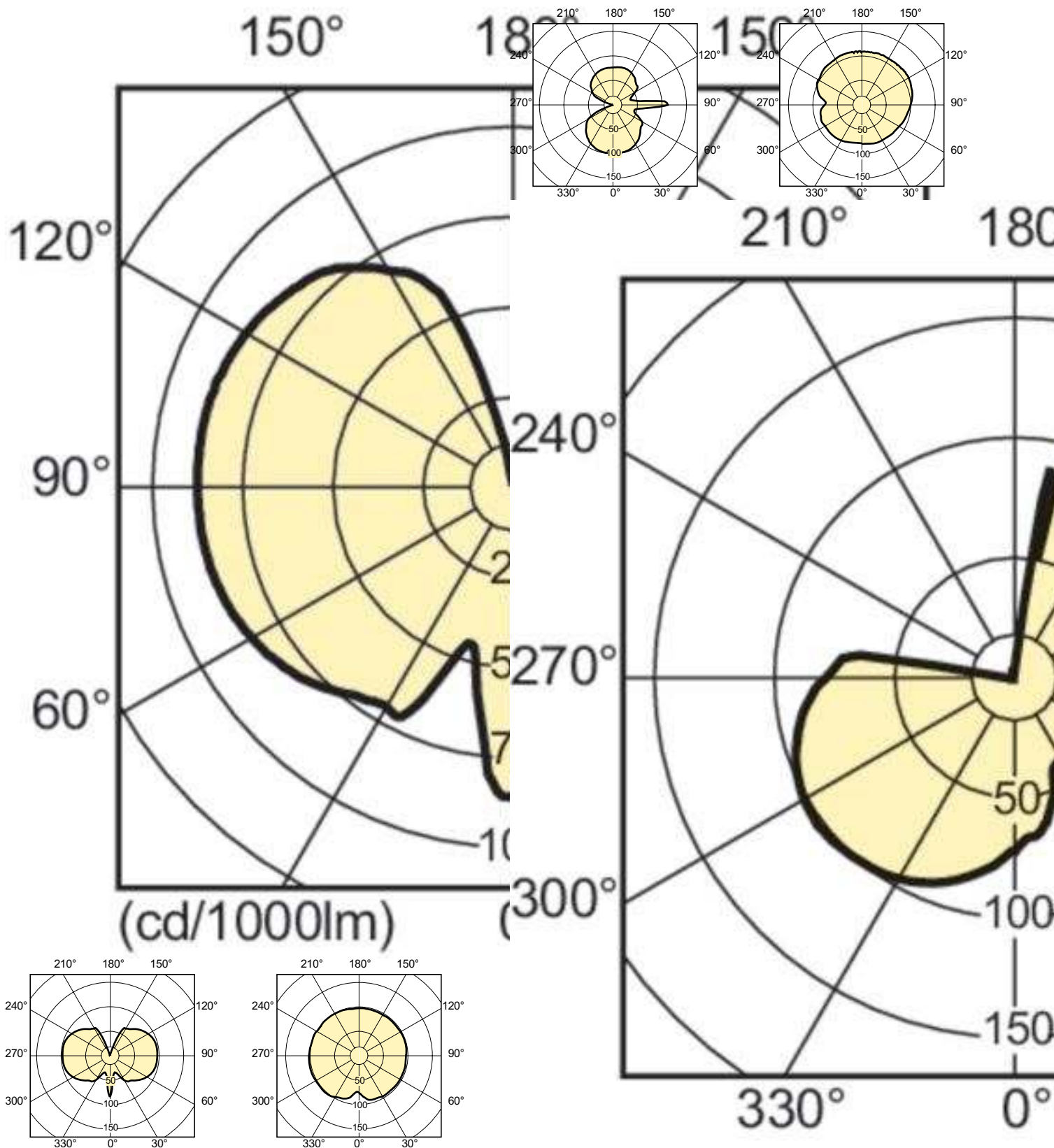
Mechanical and Housing

Order Code	Full Product Name	Bulb Shape
928082305129	MASTERC CDM-T 70W/830 G12 1CT/12	T19
928083105125	MASTERC CDM-T 35W/830 G12 1CT/12	T19
928083705125	MASTERC CDM-T 150W/830 G12 1CT	T19
928084505131	MASTERC CDM-T 70W/942 G12 1CT/12	T19

Order Code	Full Product Name	Bulb Shape
928084605131	MASTERC CDM-T 150W/942 G12 1CT	T19
928094205131	MASTERC CDM-T 250W/942 G12 1CT/12	T24
928094305125	MASTERC CDM-T 35W/842 G12 1CT/12	T19

Approval and Application

Order Code	Full Product Name	Energy	Mercury	Mercury
		Consumption kWh/1000 h	(Hg) Content (Max)	(Hg) Content (Nom)
928082305129	MASTERC CDM-T 70W/830 G12 1CT/12	80 kWh	-	4.6 mg
928083105125	MASTERC CDM-T 35W/830 G12 1CT/12	40 kWh	3.2 mg	3.1 mg
928083705125	MASTERC CDM-T 150W/830 G12 1CT	151 kWh	14.3 mg	14.3 mg
928084505131	MASTERC CDM-T 70W/942 G12 1CT/12	74 kWh	6.1 mg	6.1 mg
928084605131	MASTERC CDM-T 150W/942 G12 1CT	151 kWh	10.4 mg	10.4 mg
928094205131	MASTERC CDM-T 250W/942 G12 1CT/12	250 kWh	20 mg	20.0 mg
928094305125	MASTERC CDM-T 35W/842 G12 1CT/12	40 kWh	2.7 mg	2.7 mg



MASTERColour CDM-T

