

Long-lasting, reliable solution

HID-Basic BHL MK4 for HPL/HPI

Impregnated electromagnetic copper/iron ballasts for HPL, HPI (Plus) and SON-H lamps

Benefits

- Long-lasting reliable solution protected from overheating; better for hot environments than its predecessors; extended warranty
- Minimal watt losses thanks to orthocyclic winding process
- Control gear can be installed remotely

Features

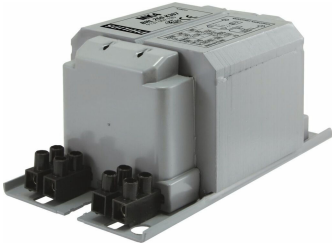
- Improved thermal features – much cooler ballast
- Ballasts designed for mercury lamps (HPL) without using an ignitor can also be used with HPI lamps with an ignitor
- Equipped with screw terminal blocks as standard; insert contacts available upon request
- Earthing-while-mounting facility
- Ballasts for alternative mains voltages/frequencies available upon request

Application

- Outdoor lighting

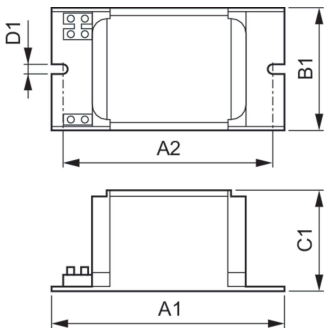
HID-Basic BHL MK4 for HPL/HPI

Versions



GPPR_BHL-BC_PHL_0003-Product photo

Dimensional drawing



Product	D1	C1	A1	A2	B1
BHL 250 K307-A2 230/240V 50Hz	6.2 mm	65.0 mm	134.0 mm	113.0 mm	76.0 mm
BC2-134					

