



# The affordable LED solution

## CorePro LEDtube EM/Mains

The CorePro LEDtube is an affordable LED solution suitable for replacing T8 fluorescent lamps. The product provides a natural lighting effect for use in general lighting applications, as well as instant energy savings – an environmentally friendly solution.

### Benefits

- Minimises overall lighting costs
- Offers cheapest and easiest upgrade to LED lighting technology

### Features

- Only 50% energy consumption compared to fluorescent tubes
- Lasts two times longer than fluorescent tubes
- Retrofit replacement of existing T8 lamps on electromagnetic (EM) ballast installations

### Application

- Parking lots and covered car parks
- Warehouses and coldrooms
- Signage

### Warnings and Safety

- -

# CorePro LEDtube EM/Mains

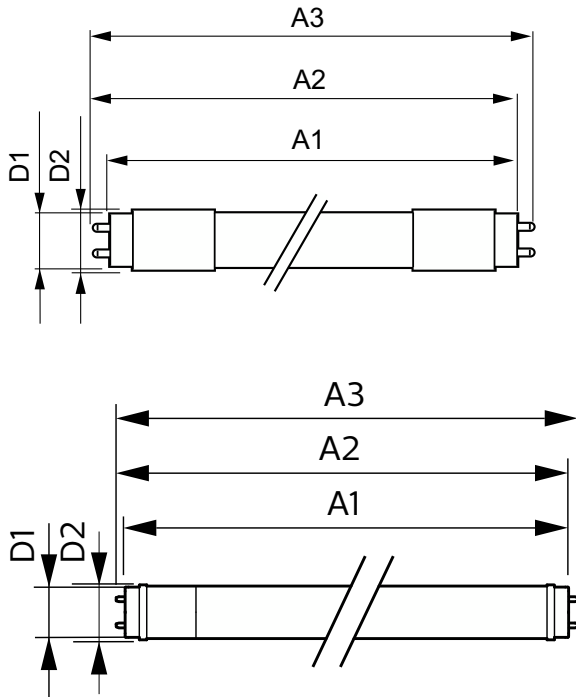
## Versions



CorePro LEDtube 1800mm 21W T8

LEDtube COR 21W G13

## Dimensional drawing



Product	D1	D2	A1	A2	A3
CorePro LEDtube 1800mm 21W830 T8	25.8 mm	28 mm	1,762.6 mm	1,769.7 mm	1,776.8 mm

Product	D1	D2	A1	A2	A3
CorePro LEDtube 1200mm 15.5W 830 T8	25.7 mm	28 mm	1,198 mm	1,205 mm	1,212 mm
CorePro LEDtube 1200mm 15.5W 840 T8	25.7 mm	28 mm	1,198 mm	1,205 mm	1,212 mm
CorePro LEDtube 1200mm 15.5W 865 T8	25.7 mm	28 mm	1,198 mm	1,205 mm	1,212 mm
CorePro LEDtube 1500mm 20W 830 T8	25.7 mm	28 mm	1,500 mm	1,507.1 mm	1,514.2 mm
CorePro LEDtube 1500mm 20W 840 T8	25.7 mm	28 mm	1,500 mm	1,507.1 mm	1,514.2 mm
CorePro LEDtube 1500mm 20W 865 T8	25.7 mm	28 mm	1,500 mm	1,507.1 mm	1,514.2 mm
CorePro LEDtube 1800mm 21W 840 T8	25.7 mm	28 mm	1,762.6 mm	1,769.7 mm	1,776.8 mm
CorePro LEDtube 1800mm 21W 865 T8	25.7 mm	28 mm	1,762.6 mm	1,769.7 mm	1,776.8 mm
CorePro LEDtube 600mm 8W 830 T8	25.7 mm	28 mm	588.5 mm	595.5 mm	602.5 mm
CorePro LEDtube 600mm 8W 840 T8	25.7 mm	28 mm	588.5 mm	595.5 mm	602.5 mm
CorePro LEDtube 600mm 8W 865 T8	25.7 mm	28 mm	588.5 mm	595.5 mm	602.5 mm

# CorePro LEDtube EM/Mains

General Information	
Cap base	G13
Switching Cycle	200,000
Nominal lifetime	50,000 h
Light Technical	
Colour rendering index (CRI)	80
LLMF at end of nominal lifetime (nom.)	70 %
Operating and Electrical	
Input frequency	50 to 60 Hz
Starting time (nom.)	0.5 s
Controls and Dimming	
Dimmable	No
Mechanical and Housing	
Lamp Finish	Frosted
Bulb shape	T8

## Light Technical

Order Code	Full Product Name	Beam angle (nom.)	Correlated Colour Temperature (Nom)	Colour Code	Luminous Flux
929004293702	CorePro LEDtube 1800mm 21W 840 T8	240 degree(s)	4000 K	840	3,100 lm
929004293802	CorePro LEDtube 1800mm 21W 865 T8	240 degree(s)	6500 K	865	3,100 lm
929003584702	CorePro LEDtube 1800mm 21W830 T8	160 degree(s)	3000 K	830	2,900 lm
929003519702	CorePro LEDtube 1200mm 15.5W 840 T8	240 degree(s)	4000 K	840	1,800 lm
929003519802	CorePro LEDtube 1200mm 15.5W 865 T8	240 degree(s)	6500 K	865	1,800 lm
929003547202	CorePro LEDtube 600mm 8W 840 T8	240 degree(s)	4000 K	840	800 lm
929003547302	CorePro LEDtube 600mm 8W 865 T8	240 degree(s)	6500 K	865	800 lm
929003547402	CorePro LEDtube 1500mm 20W 840 T8	240 degree(s)	4000 K	840	2,200 lm
929003547502	CorePro LEDtube 1500mm 20W 865 T8	240 degree(s)	6500 K	865	2,200 lm
929003577132	CorePro LEDtube 600mm 8W 830 T8	240 degree(s)	3000 K	830	750 lm
929003577232	CorePro LEDtube 1200mm 15.5W 830 T8	240 degree(s)	3000 K	830	1,700 lm
929003577332	CorePro LEDtube 1500mm 20W 830 T8	240 degree(s)	3000 K	830	2,050 lm

## Operating and Electrical

Order Code	Full Product Name	Line Frequency	Power Consumption	Order Code	Full Product Name	Line Frequency	Power Consumption
929004293702	CorePro LEDtube 1800mm 21W 840 T8	-	21 W	929003547302	CorePro LEDtube 600mm 8W 865 T8	50 to 60 Hz	8 W
929004293802	CorePro LEDtube 1800mm 21W 865 T8	-	21 W	929003547402	CorePro LEDtube 1500mm 20W 840 T8	50 to 60 Hz	20 W
929003584702	CorePro LEDtube 1800mm 21W830 T8	50 to 60 Hz	21 W	929003547502	CorePro LEDtube 1500mm 20W 865 T8	50 to 60 Hz	20 W
929003519702	CorePro LEDtube 1200mm 15.5W 840 T8	50 to 60 Hz	15.5 W	929003577132	CorePro LEDtube 600mm 8W 830 T8	50 to 60 Hz	8 W
929003519802	CorePro LEDtube 1200mm 15.5W 865 T8	50 to 60 Hz	15.5 W	929003577232	CorePro LEDtube 1200mm 15.5W 830 T8	50 to 60 Hz	15.5 W
929003547202	CorePro LEDtube 600mm 8W 840 T8	50 to 60 Hz	8 W	929003577332	CorePro LEDtube 1500mm 20W 830 T8	50 to 60 Hz	20 W

## Temperature

Order Code	Full Product Name	T-Case maximum (nom.)	Order Code	Full Product Name	T-Case maximum (nom.)
929004293702	CorePro LEDtube 1800mm 21W 840 T8	60 °C	929003547202	CorePro LEDtube 600mm 8W 840 T8	50 °C
929004293802	CorePro LEDtube 1800mm 21W 865 T8	60 °C	929003547302	CorePro LEDtube 600mm 8W 865 T8	50 °C
929003584702	CorePro LEDtube 1800mm 21W830 T8	60 °C	929003547402	CorePro LEDtube 1500mm 20W 840 T8	60 °C
929003519702	CorePro LEDtube 1200mm 15.5W 840 T8	60 °C	929003547502	CorePro LEDtube 1500mm 20W 865 T8	60 °C
929003519802	CorePro LEDtube 1200mm 15.5W 865 T8	60 °C	929003577132	CorePro LEDtube 600mm 8W 830 T8	50 °C

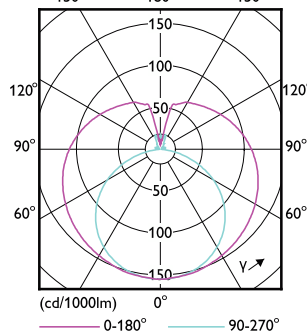
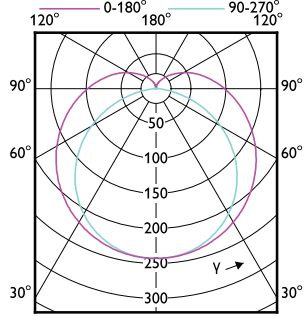
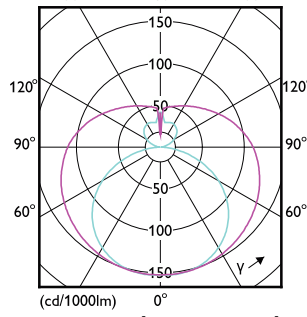
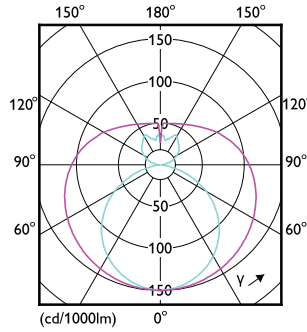
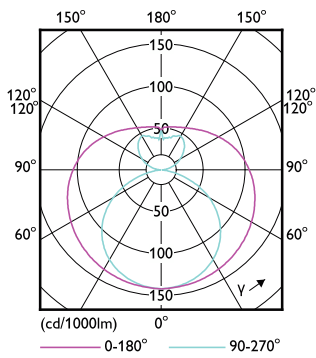
# CorePro LEDtube EM/Mains

Order Code	Full Product Name	T-Case maximum (nom.)
929003577232	CorePro LEDtube 1200mm 15.5W 830 T8	60 °C

Order Code	Full Product Name	T-Case maximum (nom.)
929003577332	CorePro LEDtube 1500mm 20W 830 T8	60 °C

## Approval and Application

Order Code	Full Product Name	Ambient temperature range	Energy consumption kWh/1,000 hours
929004293702	CorePro LEDtube 1800mm 21W 840 T8	-20 to +45 °C	21 kWh
929004293802	CorePro LEDtube 1800mm 21W 865 T8	-20 to +45 °C	21 kWh
929003584702	CorePro LEDtube 1800mm 21W830 T8	-20°C to +45°C	21 kWh
929003519702	CorePro LEDtube 1200mm 15.5W 840 T8	-20 to +45 °C	16 kWh
929003519802	CorePro LEDtube 1200mm 15.5W 865 T8	-20 to +45 °C	16 kWh
929003547202	CorePro LEDtube 600mm 8W 840 T8	-20 to +45 °C	8 kWh
929003547302	CorePro LEDtube 600mm 8W 865 T8	-20 to +45 °C	8 kWh
929003547402	CorePro LEDtube 1500mm 20W 840 T8	-20 to +45 °C	20 kWh
929003547502	CorePro LEDtube 1500mm 20W 865 T8	-20 to +45 °C	20 kWh
929003577132	CorePro LEDtube 600mm 8W 830 T8	-20 to +45 °C	8 kWh
929003577232	CorePro LEDtube 1200mm 15.5W 830 T8	-20 to +45 °C	16 kWh
929003577332	CorePro LEDtube 1500mm 20W 830 T8	-20 to +45 °C	20 kWh



# CorePro LEDtube EM/Mains

