



Den rimelige løsningen med LEDspot

CorePro LEDspot LV

CorePro LED egner seg perfekt for spotbelysning og gir et varmt halogenlignende lys. Lyskildene er kompatible med de fleste eksisterende armaturer med MR16 GU5.3-holdere, og er utformet som en ettermonterbar erstatning av halogen- eller glødelamper. LED-lyskilder gir store energibesparelser og reduserer vedlikeholdskostnadene

Fordeler

- opptil 80 % energibesparelse sammenlignet med halogenlamper
- Lavere vedlikeholdskostnader
- Bred kompatibilitet med transformatorer

Funksjoner

- Enkelt bytte
- Levetid på 15 000 timer
- UV- og IR-fritt lys
- Uten kvikksølv og farlige materialer

Søknad

- Hoteller, restauranter, barer, kafeer, museer, butikker
- Lobbyer, korridorer, trappehus, vaskerom, resepsjonsområder, utstillinger, utstillingsmontre

CorePro LEDspot LV

Versions



CorePro LEDspot LV 35W GU5-3
827 36D ND



MASTER LEDspot LV 35W GU5-3
827 36D VLE

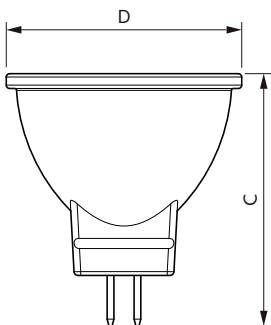
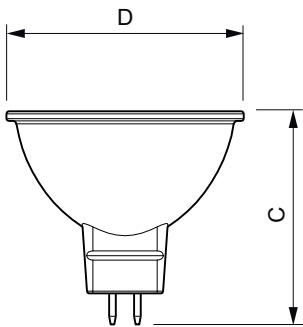


LEDspots Corepro SLR 2 MR16
GU5,3



LEDspot GU4 Classic MR11

Målskisse



Product	D	C
CorePro LED spot ND 2.9-20W MR16 827 36D	50,5 mm	45,5 mm
CorePro LED spot ND 4.4-35W MR16 827 36D	50,5 mm	45,5 mm
CorePro LED spot ND 4.4-35W MR16 840 36D	50,5 mm	45,5 mm
CorePro LED spot ND 7-50W MR16 827 36D	50,5 mm	45 mm
CorePro LED spot ND 7-50W MR16 840 36D	50,5 mm	45 mm
CorePro LEDspot 4.4-35W MR16 827 36D 5CT	50,5 mm	45,5 mm

Product	D	C
CorePro LED spot 2.3-20W 827 MR11 36D	35,5 mm	39,5 mm

CorePro LEDspot LV

Generell informasjon

Brytersyklus 50 000

Teknisk belysning

Spredningsvinkel (nom.) 36 grad(er)

Fargegjengivelsesindeks (CRI) 80

Nominell vedlikeholdsfaktor for lyskildelumen ved utgangen av nominell levetid (nom.) 70 %

Drift og elektronikk

Inngangsfrekvens - Hz

Line Frequency - Hz

Starttid (nom.) 0,5 s

Kontroller og dimming

Kan dimmes Nei

Godkjenning og bruksområde

For omgivelsestemperaturer mellom -20 til +40 °C

Generell informasjon

Order Code	Full Product Name	Sokkelbase	Nominell levetid
929002494602	CorePro LED spot ND 4.4-35W MR16 827 36D	GU5.3	15 000 time(r)
929002494652	CorePro LEDspot 4.4-35W MR16 827 36D 5CT	GU5.3	15 000 time(r)
929002494702	CorePro LED spot ND 4.4-35W MR16 840 36D	GU5.3	15 000 time(r)
929001904802	CorePro LED spot ND 7-50W MR16 827 36D	GU5.3	15 000 time(r)
929001905002	CorePro LED spot ND 7-50W MR16 840 36D	GU5.3	15 000 time(r)
929002494502	CorePro LED spot ND 2.9-20W MR16 827 36D	GU5.3	15 000 time(r)
929002066402	CorePro LED spot 2.3-20W 827 MR11 36D	GU4	25 000 time(r)

Teknisk belysning

Order Code	Full Product Name	Korrelert		Lysintensitet	
		fargetemperatur (nom.)	Fargekode	Lysytelse	(nom.)
929002494602	CorePro LED spot ND 4.4-35W MR16 827 36D	2700 K	827	345 lm	650 cd
929002494652	CorePro LEDspot 4.4-35W MR16 827 36D 5CT	2700 K	827	345 lm	650 cd
929002494702	CorePro LED spot ND 4.4-35W MR16 840 36D	4000 K	840	390 lm	750 cd
929001904802	CorePro LED spot ND 7-50W MR16 827 36D	2700 K	827	621 lm	1 400 cd

Order Code	Full Product Name	Korrelert		Lysintensitet	
		fargetemperatur (nom.)	Fargekode	Lysytelse	(nom.)
929001905002	CorePro LED spot ND 7-50W MR16 840 36D	4000 K	840	660 lm	1 500 cd
929002494502	CorePro LED spot ND 2.9-20W MR16 827 36D	2700 K	827	230 lm	560 cd
929002066402	CorePro LED spot 2.3-20W 827 MR11 36D	2700 K	827	184 lm	400 cd

Drift og elektronikk

Order Code	Full Product Name	Effekten som	
		Effektforbruk	tilsvarer
929002494602	CorePro LED spot ND 4.4-35W MR16 827 36D	4,4 W	35 W

Order Code	Full Product Name	Effekten som	
		Effektforbruk	tilsvarer
929002494652	CorePro LEDspot 4.4-35W MR16 827 36D 5CT	4,4 W	35 W

CorePro LEDspot LV

Order Code	Full Product Name	Effektforbruk	Effekten som tilsvarer
929002494702	CorePro LED spot ND 4.4-35W MR16 840 36D	4,4 W	35 W
929001904802	CorePro LED spot ND 7-50W MR16 827 36D	7 W	50 W
929001905002	CorePro LED spot ND 7-50W MR16 840 36D	7 W	50 W

Order Code	Full Product Name	Effektforbruk	Effekten som tilsvarer
929002494502	CorePro LED spot ND 2.9-20W MR16 827 36D	2,9 W	20 W
929002066402	CorePro LED spot 2.3-20W 827 MR11 36D	2,3 W	20 W

Temperatur

Order Code	Full Product Name	Maksimal temperatur for innfatningen (nom.)
929002494602	CorePro LED spot ND 4.4-35W MR16 827 36D	85 °C
929002494652	CorePro LEDspot 4.4-35W MR16 827 36D 5CT	85 °C
929002494702	CorePro LED spot ND 4.4-35W MR16 840 36D	85 °C

Order Code	Full Product Name	Maksimal temperatur for innfatningen (nom.)
929001904802	CorePro LED spot ND 7-50W MR16 827 36D	85 °C
929001905002	CorePro LED spot ND 7-50W MR16 840 36D	85 °C
929002494502	CorePro LED spot ND 2.9-20W MR16 827 36D	75 °C
929002066402	CorePro LED spot 2.3-20W 827 MR11 36D	60 °C

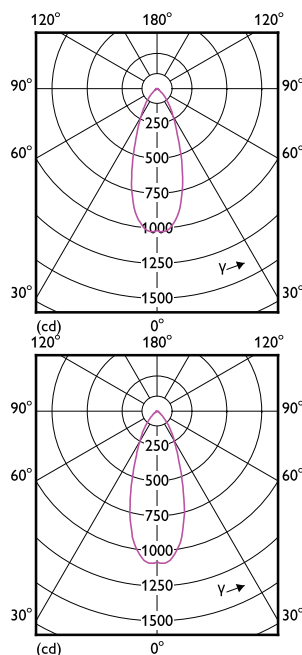
Mekanikk og innfatning

Order Code	Full Product Name	Lyspæreoverflate	Lyspæreform
929002494602	CorePro LED spot ND 4.4-35W MR16 827 36D	Matt	MR16
929002494652	CorePro LEDspot 4.4-35W MR16 827 36D 5CT	-	MR16
929002494702	CorePro LED spot ND 4.4-35W MR16 840 36D	Matt	MR16
929001904802	CorePro LED spot ND 7-50W MR16 827 36D	Matt	MR16

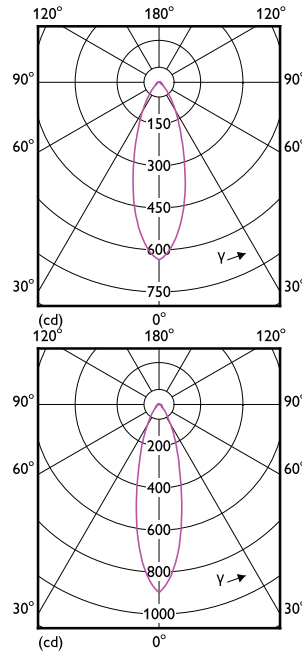
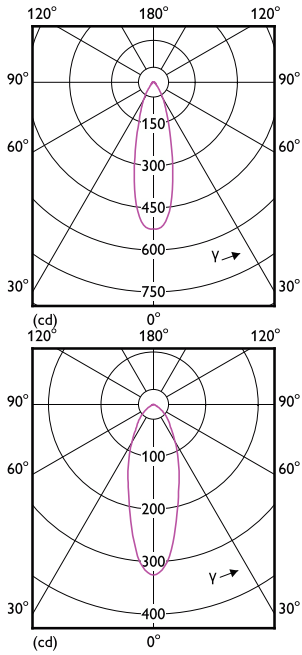
Order Code	Full Product Name	Lyspæreoverflate	Lyspæreform
929001905002	CorePro LED spot ND 7-50W MR16 840 36D	Matt	MR16
929002494502	CorePro LED spot ND 2.9-20W MR16 827 36D	Matt	MR16
929002066402	CorePro LED spot 2.3-20W 827 MR11 36D	Matt	MR11

Godkjenning og bruksområde

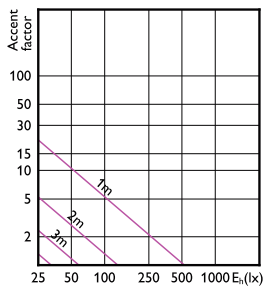
Order Code	Full Product Name	Energiforbruk kWh/1000 t
929002494602	CorePro LED spot ND 4.4-35W MR16 827 36D	5 kWh
929002494652	CorePro LEDspot 4.4-35W MR16 827 36D 5CT	5 kWh
929002494702	CorePro LED spot ND 4.4-35W MR16 840 36D	5 kWh
929001904802	CorePro LED spot ND 7-50W MR16 827 36D	7 kWh
929001905002	CorePro LED spot ND 7-50W MR16 840 36D	7 kWh
929002494502	CorePro LED spot ND 2.9-20W MR16 827 36D	3 kWh
929002066402	CorePro LED spot 2.3-20W 827 MR11 36D	3 kWh



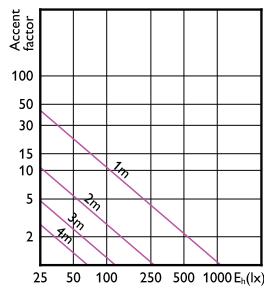
CorePro LEDspot LV



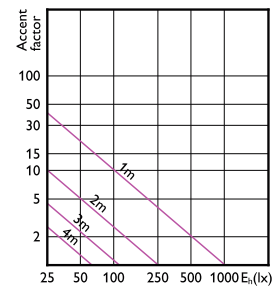
Accent Diagrams



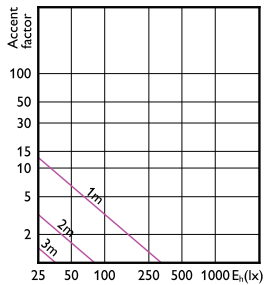
Accent Diagram - CorePro LED spot ND
2.9-20W MR16 827 36D



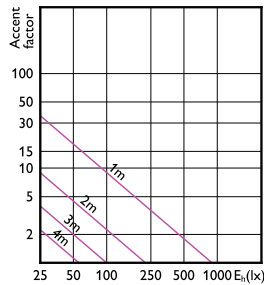
Accent Diagram - CorePro LED spot ND 7-50W
MR16 840 36D



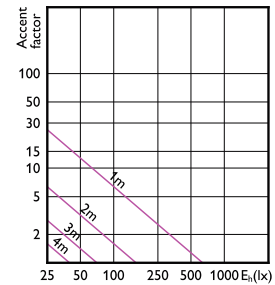
Accent Diagram - CorePro LED spot ND 7-50W
MR16 827 36D



Accent Diagram - CorePro LED spot 2.3-20W
827 MR11 36D

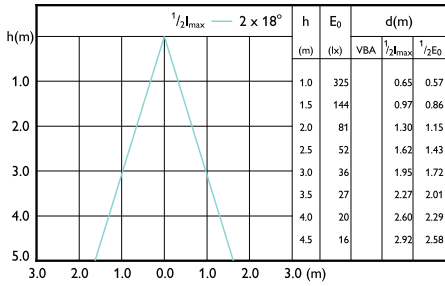


Accent Diagram - CorePro LED spot ND
4.4-35W MR16 840 36D

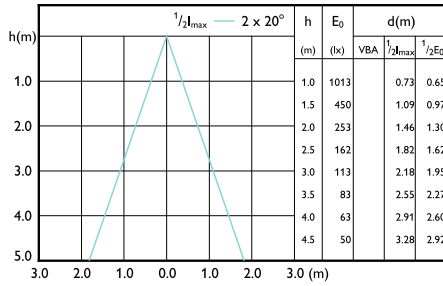


Accent Diagram - CorePro LED spot ND
4.4-35W MR16 827 36D

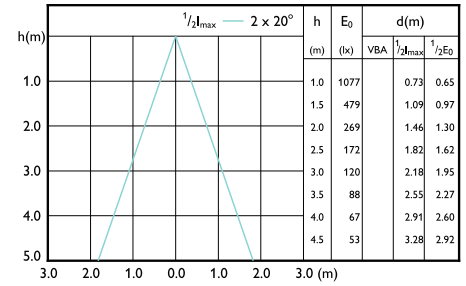
Beam Diagrams



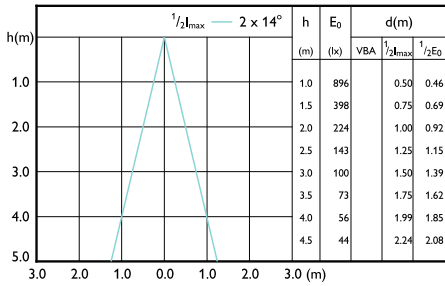
Beam diagram - CorePro LED spot 2.3-20W 827 MR11 36D



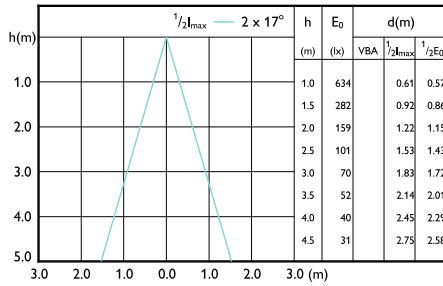
Beam diagram - CorePro LED spot ND 7-50W MR16 827 36D



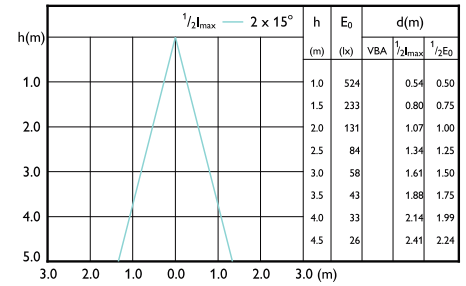
Beam diagram - CorePro LED spot ND 7-50W MR16 840 36D



Beam diagram - CorePro LED spot ND 4.4-35W MR16 840 36D



Beam diagram - CorePro LED spot ND 4.4-35W MR16 827 36D



Beam diagram - CorePro LED spot ND 2.9-20W MR16 827 36D

