



The affordable LEDspot solution

CorePro LED spot LV

CorePro LEDspots are a perfect fit for spot lighting and deliver warm halogen-like light. They are compatible with most existing fixtures with MR16 GU5.3 holders and are designed as a retrofit replacement for halogen or incandescent spots. LEDlamps deliver huge energy savings and minimize maintenance cost.

Benefits

- Warm white light
- Up to 80% energy saving compared with halogen lamps
- Lower maintenance costs
- Broad compatibility with transformers

Features

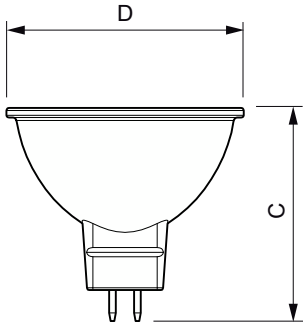
- Easy retrofit
- Lifetime of 25,000 to 45,000 hours
- Compatible with an extensive range of dimmers
- UV- and IR-free light
- Free of mercury and hazardous materials

Application

- Hotels, restaurants, bars, cafés, museums, shops
- Lobbies, corridors, stairwells, washrooms, reception areas , exhibitions, display cabinets

CorePro LED spot LV

Dimensional drawing



Product	D	C
CorePro LED spot ND 4.4-35W MR16 827 36D	50.5 mm	45.5 mm
CorePro LED spot ND 4.4-35W MR16 840 36D	50.5 mm	45.5 mm
CorePro LED spot ND 7-50W MR16 827 36D	50.5 mm	45 mm
CorePro LED spot ND 7-50W MR16 830 36D	50.5 mm	45 mm
CorePro LED spot ND 7-50W MR16 840 36D	50.5 mm	45 mm

General Information	
Cap-Base	GU5.3
Switching Cycle	50,000
Nominal lifetime	15,000 hour(s)
Light Technical	
Beam Angle (Nom)	36 degree(s)
Color rendering index (CRI)	80
LLMF At End Of Nominal Lifetime (Nom)	70 %
Operating and Electrical	
Input Frequency	- Hz
Line Frequency	- Hz
Starting Time (Nom)	0.5 s
Temperature	
T-Case Maximum (Nom)	85 °C
Controls and Dimming	
Dimmable	No
Mechanical and Housing	
Bulb Finish	Clear
Bulb Shape	MR16
Approval and Application	
Ambient temperature range	-20 to +40 °C

Light Technical

Order Code	Full Product Name	Correlated Color Temperature (Nom)	Color Code	Luminous Flux	Luminous Intensity (Nom)
30706300	CorePro LED spot ND 4.4-35W MR16 827 36D	2700 K	827	345 lm	650 cd
30708700	CorePro LED spot ND 4.4-35W MR16 840 36D	4000 K	840	390 lm	750 cd
81471000	CorePro LED spot ND 7-50W MR16 827 36D	2700 K	827	621 lm	1,400 cd
81477200	CorePro LED spot ND 7-50W MR16 830 36D	3000 K	830	621 lm	1,400 cd
81479600	CorePro LED spot ND 7-50W MR16 840 36D	4000 K	840	660 lm	1,500 cd

Operating and Electrical

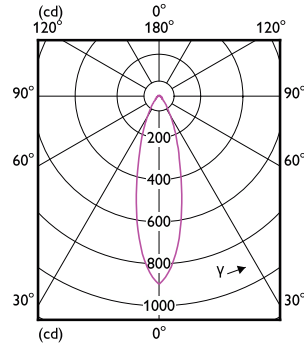
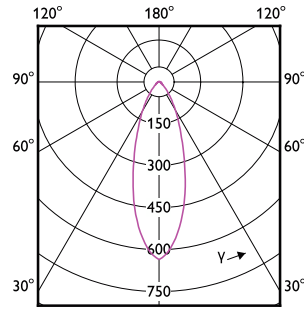
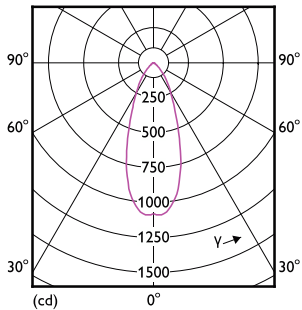
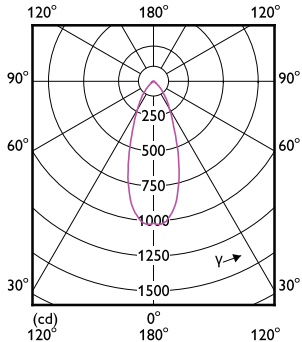
Order Code	Full Product Name	Power Consumption	Wattage Equivalent
30706300	CorePro LED spot ND 4.4-35W MR16 827 36D	4.4 W	35 W
30708700	CorePro LED spot ND 4.4-35W MR16 840 36D	4.4 W	35 W
81471000	CorePro LED spot ND 7-50W MR16 827 36D	7 W	50 W

Order Code	Full Product Name	Power Consumption	Wattage Equivalent
81477200	CorePro LED spot ND 7-50W MR16 830 36D	7 W	50 W
81479600	CorePro LED spot ND 7-50W MR16 840 36D	7 W	50 W

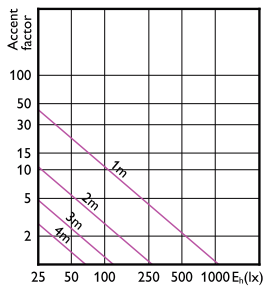
CorePro LED spot LV

Approval and Application

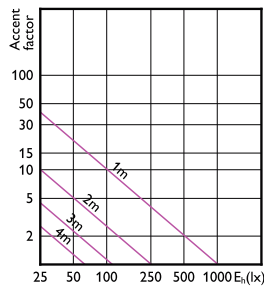
Order Code	Full Product Name	Energy Consumption kWh/ 1000 h
30706300	CorePro LED spot ND 4.4-35W MR16 827 36D	5 kWh
30708700	CorePro LED spot ND 4.4-35W MR16 840 36D	5 kWh
81471000	CorePro LED spot ND 7-50W MR16 827 36D	7 kWh
81477200	CorePro LED spot ND 7-50W MR16 830 36D	7 kWh
81479600	CorePro LED spot ND 7-50W MR16 840 36D	7 kWh



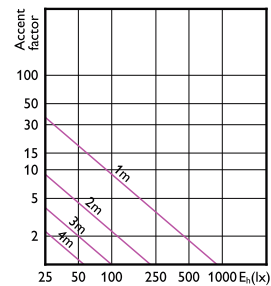
Accent Diagrams



Accent Diagram - CorePro LED spot ND 7-50W MR16 840 36D



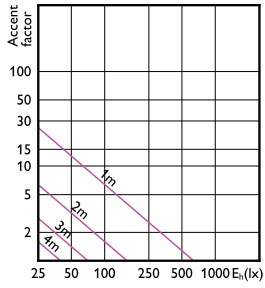
Accent Diagram - CorePro LED spot ND 7-50W MR16 827 36D



Accent Diagram - CorePro LED spot ND 4.4-35W MR16 840 36D

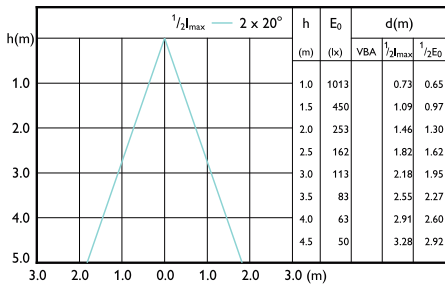
CorePro LED spot LV

Accent Diagrams

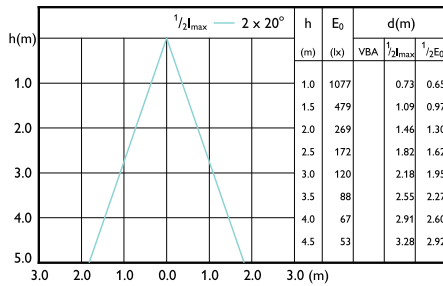


Accent Diagram - CorePro LED spot ND
4.4-35W MR16 827 36D

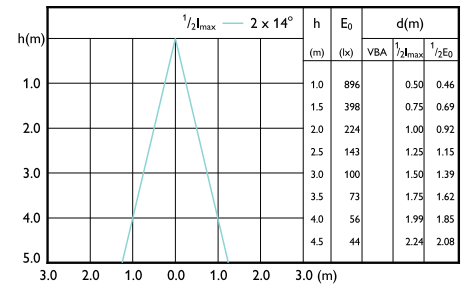
Beam Diagrams



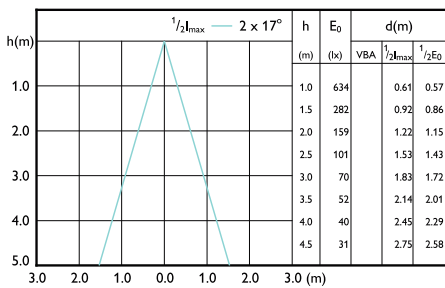
Beam diagram - CorePro LED spot ND 7-50W
MR16 827 36D



Beam diagram - CorePro LED spot ND 7-50W
MR16 840 36D



Beam diagram - CorePro LED spot ND 4.4-35W
MR16 840 36D



Beam diagram - CorePro LED spot ND 4.4-35W
MR16 827 36D

CorePro LED spot LV

