



# Mains-voltage LED specialty product with huge energy saving and high light output

## CorePro LED capsule MV

The LED specialties deliver a high quality light to make themselves to be a true replacement of halogen specialty lamp (such as G9 and R7S). It is particularly suit for task lighting in hotel and restaurants, and ideal for decorative and ambient application. LEDspecialty products deliver huge energy saving and minimize maintenance costs, without any compromise on light quality.

### Benefits

- Up to 90% energy saving compared with halogen lamps
- Lower maintenance costs
- Broad compatibility with transformers

### Features

- Easy retrofit
- Lifetime of 15,000 hours
- UV- and IR-free light
- Free of mercury and hazardous materials – RoHS compliant

### Application

- Hotels, museums, shops, washrooms, reception areas, exhibitions, display cabinets

# CorePro LED capsule MV

## Versions



LEDcapsule LATAM 3W G9 2



LEDcapsule LATAM 1,6W G9 2



LEDcapsule 40W G9



LEDcapsule LATAM 1,6W G9 1



LEDcapsule LATAM 3W G9 1

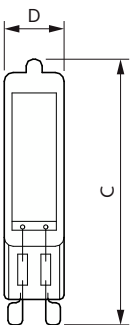
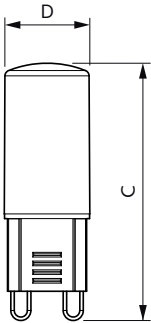


LEDcapsule CorePro ND 4,8 60W G9 827



LED 40W G9 WW 230V Dim SRT6

## Dimensional drawing

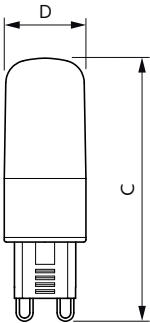


Product	D	C
CorePro LEDcapsule 1.9-25W ND G9 827	14 mm	43 mm
CorePro LEDcapsule 1.9-25W ND G9 830	14 mm	43 mm
CorePro LEDcapsule 3.7-40W ND G9 827	16 mm	52 mm
CorePro LEDcapsule 3.7-40W ND G9 830	16 mm	52 mm
CorePro LEDcapsuleMV 2.7-25W G9 827 D	16 mm	52 mm
CorePro LEDcapsuleMV 2.7-25W G9 827 D UK	16 mm	52 mm
CorePro LEDcapsuleMV 4-40W G9 827 D	18 mm	59 mm

Product	D	C
LEDcapsule 40W G9 827 120V ND 1PF/6	14.5 mm	60 mm

# CorePro LED capsule MV

## Dimensional drawing



Product	D	C
LEDCapsule 25W G9 827 WV ND	18.3 mm	58.8 mm
LEDCapsule 25W G9 865 WV ND	18.3 mm	58.8 mm
LEDCapsule 40W G9 827 WV ND	18.3 mm	58.8 mm
LEDCapsule 40W G9 865 WV ND	18.3 mm	58.8 mm

Product
CorePro LEDcapsule ND 4.8-60W G9 827

General Information	
Cap-Base	G9
Light Technical	
Color rendering index (CRI)	80
LLMF At End Of Nominal Lifetime (Nom)	70 %
Operating and Electrical	
Input Frequency	50 to 60 Hz
Starting Time (Nom)	0.5 s

## General Information

Order Code	Full Product Name	Switching Cycle	Nominal lifetime
929003791102	CorePro LEDcapsuleMV 2.7-25W G9 827 D	50,000	15,000 hour(s)
929003791199	CorePro LEDcapsuleMV 2.7-25W G9 827 D UK	50,000	15,000 hour(s)
929002380211	LEDCapsule 40W G9 865 WV ND	50,000	15,000 hour(s)
929002380411	LEDCapsule 25W G9 865 WV ND	50,000	15,000 hour(s)
929003790502	CorePro LEDcapsule 1.9-25W ND G9 827	50,000	15,000 hour(s)
929003790602	CorePro LEDcapsule 1.9-25W ND G9 830	50,000	15,000 hour(s)

Order Code	Full Product Name	Switching Cycle	Nominal lifetime
929002326841	LEDCapsule 40W G9 827 120V ND 1PF/6	5,000	10,000 hour(s)
929002380311	LEDCapsule 25W G9 827 WV ND	50,000	15,000 hour(s)
929002380111	LEDCapsule 40W G9 827 WV ND	50,000	15,000 hour(s)
929002055102	CorePro LEDcapsule ND 4.8-60W G9 827	50,000	15,000 hour(s)
929002059802	CorePro LEDcapsule ND 4.8-60W G9 830	50,000	15,000 hour(s)
929003790802	CorePro LEDcapsule 3.7-40W ND G9 827	50,000	15,000 hour(s)

## CorePro LED capsule MV

Order Code	Full Product Name	Switching Cycle	Nominal lifetime
929003790902	CorePro LEDcapsule 3.7-40W ND G9 830	50,000	15,000 hour(s)

Order Code	Full Product Name	Switching Cycle	Nominal lifetime
929003791202	CorePro LEDcapsuleMV 4-40W G9 827 D	50,000	15,000 hour(s)

### Light Technical

Order Code	Full Product Name	Beam Angle (Nom)	Correlated		
			Color Temperature (Nom)	Color Code	Luminous Flux
929003791102	CorePro LEDcapsuleMV 2.7-25W G9 827 D	320 degree(s)	2700 K	827	300 lm
929003791199	CorePro LEDcapsuleMV 2.7-25W G9 827 D UK	320 degree(s)	2700 K	827	300 lm
929002380211	LEDCapsule 40W G9 865 WV ND	-	6500 K	865	310 lm
929002380411	LEDCapsule 25W G9 865 WV ND	-	6500 K	865	170 lm
929003790502	CorePro LEDcapsule 1.9-25W ND G9 827	320 degree(s)	2700 K	827	220 lm
929003790602	CorePro LEDcapsule 1.9-25W ND G9 830	320 degree(s)	3000 K	830	220 lm
929002326841	LEDCapsule 40W G9 827 120V ND 1PF/6	300 degree(s)	2700 K	827	402 lm

Order Code	Full Product Name	Beam Angle (Nom)	Correlated		
			Color Temperature (Nom)	Color Code	Luminous Flux
929002380311	LEDCapsule 25W G9 827 WV ND	-	2700 K	827	160 lm
929002380111	LEDCapsule 40W G9 827 WV ND	-	2700 K	827	300 lm
929002055102	CorePro LEDcapsule ND 4.8-60W G9 827	280 degree(s)	2700 K	827	570 lm
929002059802	CorePro LEDcapsule ND 4.8-60W G9 830	280 degree(s)	3000 K	830	570 lm
929003790802	CorePro LEDcapsule 3.7-40W ND G9 827	320 degree(s)	2700 K	827	470 lm
929003790902	CorePro LEDcapsule 3.7-40W ND G9 830	320 degree(s)	3000 K	830	470 lm
929003791202	CorePro LEDcapsuleMV 4-40W G9 827 D	320 degree(s)	2700 K	827	480 lm

### Operating and Electrical

Order Code	Full Product Name	Line Frequency	Power Consumption	Wattage Equivalent
929003791102	CorePro LEDcapsuleMV 2.7-25W G9 827 D	-	2.7 W	25 W
929003791199	CorePro LEDcapsuleMV 2.7-25W G9 827 D UK	-	2.7 W	25 W
929002380211	LEDCapsule 40W G9 865 WV ND	50 to 60 Hz	3 W	40 W
929002380411	LEDCapsule 25W G9 865 WV ND	50 to 60 Hz	1.6 W	25 W
929003790502	CorePro LEDcapsule 1.9-25W ND G9 827	-	1.9 W	25 W
929003790602	CorePro LEDcapsule 1.9-25W ND G9 830	-	1.9 W	25 W
929002326841	LEDCapsule 40W G9 827 120V ND 1PF/6	50 to 60 Hz	4 W	40 W

Order Code	Full Product Name	Line Frequency	Power Consumption	Wattage Equivalent
929002380311	LEDCapsule 25W G9 827 WV ND	50 to 60 Hz	1.6 W	25 W
929002380111	LEDCapsule 40W G9 827 WV ND	50 to 60 Hz	3 W	40 W
929002055102	CorePro LEDcapsule ND 4.8-60W G9 827	50 to 60 Hz	4.8 W	60 W
929002059802	CorePro LEDcapsule ND 4.8-60W G9 830	50 to 60 Hz	4.8 W	60 W
929003790802	CorePro LEDcapsule 3.7-40W ND G9 827	-	3.7 W	40 W
929003790902	CorePro LEDcapsule 3.7-40W ND G9 830	-	3.7 W	40 W
929003791202	CorePro LEDcapsuleMV 4-40W G9 827 D	-	4 W	40 W

### Temperature

## CorePro LED capsule MV

Order Code	Full Product Name	T-Case Maximum (Nom)
929003791102	CorePro LEDcapsuleMV 2.7-25W G9 827 D	88 °C
929003791199	CorePro LEDcapsuleMV 2.7-25W G9 827 D UK	88 °C
929002380211	LEDCapsule 40W G9 865 WV ND	81 °C
929002380411	LEDCapsule 25W G9 865 WV ND	63 °C
929003790502	CorePro LEDcapsule 1.9-25W ND G9 827	92 °C
929003790602	CorePro LEDcapsule 1.9-25W ND G9 830	92 °C
929002326841	LEDCapsule 40W G9 827 120V ND 1PF/6	100 °C

Order Code	Full Product Name	T-Case Maximum (Nom)
929002380311	LEDCapsule 25W G9 827 WV ND	63 °C
929002380111	LEDCapsule 40W G9 827 WV ND	81 °C
929002055102	CorePro LEDcapsule ND 4.8-60W G9 827	99 °C
929002059802	CorePro LEDcapsule ND 4.8-60W G9 830	99 °C
929003790802	CorePro LEDcapsule 3.7-40W ND G9 827	105 °C
929003790902	CorePro LEDcapsule 3.7-40W ND G9 830	105 °C
929003791202	CorePro LEDcapsuleMV 4-40W G9 827 D	93 °C

### Controls and Dimming

Order Code	Full Product Name	Dimmable
929003791102	CorePro LEDcapsuleMV 2.7-25W G9 827 D	Only with specific dimmers
929003791199	CorePro LEDcapsuleMV 2.7-25W G9 827 D UK	Only with specific dimmers
929002380211	LEDCapsule 40W G9 865 WV ND	No
929002380411	LEDCapsule 25W G9 865 WV ND	No
929003790502	CorePro LEDcapsule 1.9-25W ND G9 827	No
929003790602	CorePro LEDcapsule 1.9-25W ND G9 830	No
929002326841	LEDCapsule 40W G9 827 120V ND 1PF/6	No

Order Code	Full Product Name	Dimmable
929002380311	LEDCapsule 25W G9 827 WV ND	No
929002380111	LEDCapsule 40W G9 827 WV ND	No
929002055102	CorePro LEDcapsule ND 4.8-60W G9 827	No
929002059802	CorePro LEDcapsule ND 4.8-60W G9 830	No
929003790802	CorePro LEDcapsule 3.7-40W ND G9 827	No
929003790902	CorePro LEDcapsule 3.7-40W ND G9 830	No
929003791202	CorePro LEDcapsuleMV 4-40W G9 827 D	Only with specific dimmers

### Mechanical and Housing

Order Code	Full Product Name	Bulb Finish	Bulb Shape
929003791102	CorePro LEDcapsuleMV 2.7-25W G9 827 D	Frosted	G9
929003791199	CorePro LEDcapsuleMV 2.7-25W G9 827 D UK	Frosted	G9
929002380211	LEDCapsule 40W G9 865 WV ND	-	Capsule
929002380411	LEDCapsule 25W G9 865 WV ND	-	Capsule
929003790502	CorePro LEDcapsule 1.9-25W ND G9 827	Frosted	G9
929003790602	CorePro LEDcapsule 1.9-25W ND G9 830	Frosted	G9
929002326841	LEDCapsule 40W G9 827 120V ND 1PF/6	-	G9

Order Code	Full Product Name	Bulb Finish	Bulb Shape
929002380311	LEDCapsule 25W G9 827 WV ND	-	Capsule
929002380111	LEDCapsule 40W G9 827 WV ND	-	Capsule
929002055102	CorePro LEDcapsule ND 4.8-60W G9 827	Clear	Capsule
929002059802	CorePro LEDcapsule ND 4.8-60W G9 830	Clear	Capsule
929003790802	CorePro LEDcapsule 3.7-40W ND G9 827	Frosted	G9
929003790902	CorePro LEDcapsule 3.7-40W ND G9 830	Frosted	G9
929003791202	CorePro LEDcapsuleMV 4-40W G9 827 D	Frosted	G9

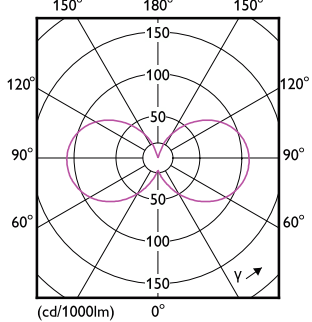
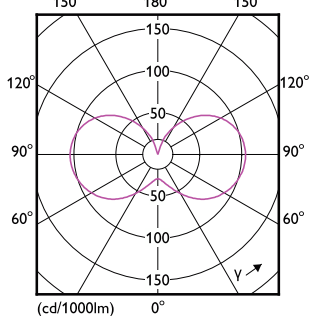
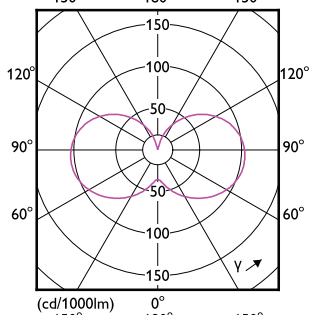
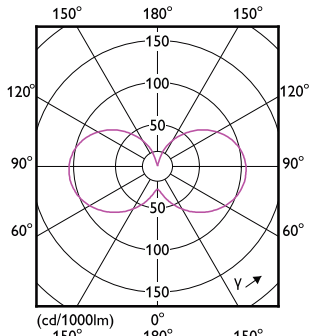
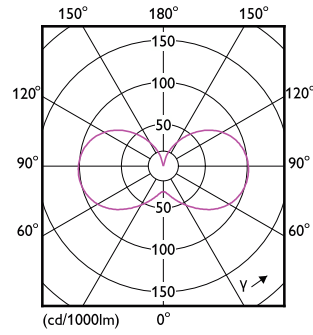
### Approval and Application

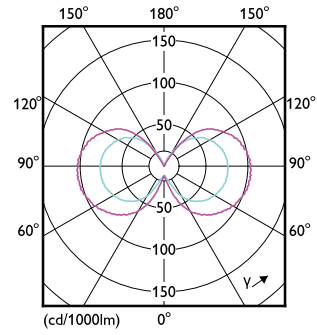
Order Code	Full Product Name	Ambient temperature range	Energy Consumption kWh/1000 h
929003791102	CorePro LEDcapsuleMV 2.7-25W G9 827 D	-20 to +45 °C	3 kWh
929003791199	CorePro LEDcapsuleMV 2.7-25W G9 827 D UK	-20 to +45 °C	3 kWh
929002380211	LEDCapsule 40W G9 865 WV ND	-20 to +35 °C	-
929002380411	LEDCapsule 25W G9 865 WV ND	-20 to +35 °C	-
929003790502	CorePro LEDcapsule 1.9-25W ND G9 827	-20 to +45 °C	2 kWh
929003790602	CorePro LEDcapsule 1.9-25W ND G9 830	-20 to +45 °C	2 kWh

Order Code	Full Product Name	Ambient temperature range	Energy Consumption kWh/1000 h
929002326841	LEDCapsule 40W G9 827 120V ND 1PF/6	-20 to +35 °C	-
929002380311	LEDCapsule 25W G9 827 WV ND	-20 to +35 °C	-
929002380111	LEDCapsule 40W G9 827 WV ND	-20 to +35 °C	-
929002055102	CorePro LEDcapsule ND 4.8-60W G9 827	-20 to +35 °C	5 kWh
929002059802	CorePro LEDcapsule ND 4.8-60W G9 830	-20 to +35 °C	5 kWh
929003790802	CorePro LEDcapsule 3.7-40W ND G9 827	-20 to +45 °C	4 kWh

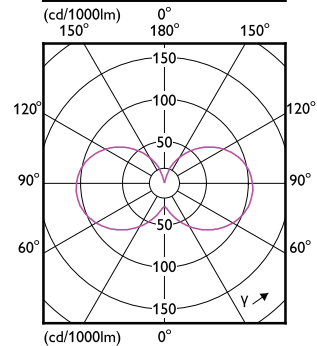
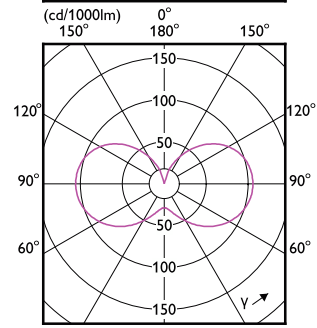
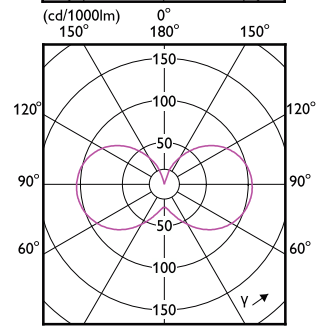
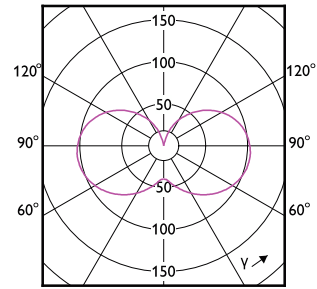
# CorePro LED capsule MV

Order Code	Full Product Name	Ambient temperature range	Energy Consumption kWh/1000 h
929003790902	CorePro LEDcapsule 3.7-40W ND G9 830	-20 to +45 °C	4 kWh
929003791202	CorePro LEDcapsuleMV 4-40W G9 827 D	-20 to +45 °C	4 kWh





— 0-180° — 90-270°  
150° 180° 150°



## CorePro LED capsule MV

