



CorePro LEDcapsule LV - For task lighting and decorative applications

CorePro LED capsule LV

The CorePro LEDcapsule is a true alternative to the halogen capsule. It is particularly suitable for task lighting and decorative applications in homes, shops, hotels and restaurants. Compatible with existing fixtures with G4 holders and designed for retrofit replacement of halogen capsules, CorePro LEDcapsule delivers huge energy savings and minimizes maintenance costs without any compromise on light quality.

Benefits

- Up to 88% energy saving compared with halogen lamps
- Broad compatibility with transformers
- Lower maintenance costs

Features

- Easy retrofit
- Lifetime of 15,000 hours
- UV- and IR-free light
- Free of mercury and hazardous materials

Application

- Hotels, restaurants, bars, cafés
- Lobbies, corridors, stairwells, washrooms, reception areas, under-cabinet fixtures, cabinet lighting

CorePro LED capsule LV

Versions



Product standard image



LED 10W G4 WW 12V ND micro 2SRT6



LED 40W GY6.35 WW 12V D SRT6

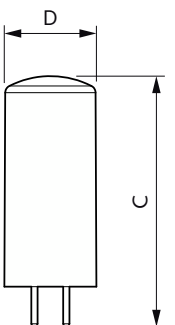
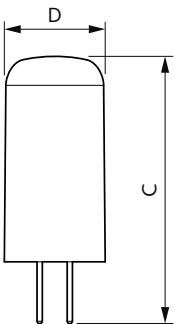


LED GY6,35 12V POS2



LED 28W G4 WW 12V ND micro SRT6

Dimensional drawing

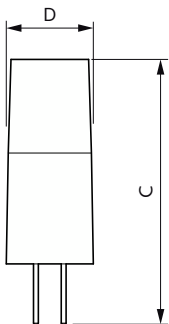
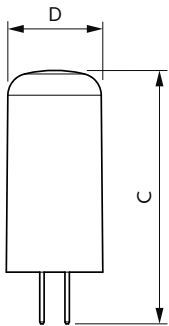
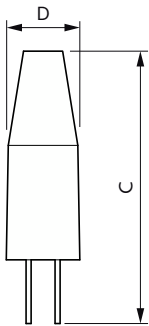
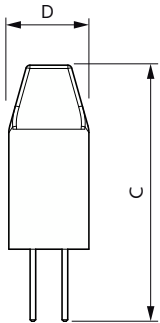


Product	D	C
CorePro LEDcapsuleLV 1.8-20W GY6.35 827	13 mm	35 mm
CorePro LEDcapsuleLV 1.8-20W GY6.35 830	13 mm	35 mm

Product	D	C
CorePro LEDcapsuleLV 4.2-40W GY6.35 827D	18 mm	50 mm
LED 40W GY6.35 WW 12V D SRT6	18 mm	50 mm

CorePro LED capsule LV

Dimensional drawing



Product	D	C
CorePro LEDcapsuleLV 1-10W G4 827micro	10 mm	30 mm
LED 10W G4 WW 12V ND micro SRT6	10 mm	30 mm

Product	D	C
CorePro LEDcapsuleLV 1.7-20W G4micro 827	9.5 mm	37.5 mm
LED 20W G4 WW 12V ND micro SRT6	9.5 mm	37.5 mm

Product	D	C
CorePro LEDcapsuleLV 2.1-20W G4 827 D	15 mm	40 mm
LED 20W G4 WW 12V Dim SRT6	15 mm	40 mm

Product	D	C
CorePro LEDcapsuleLV 2.4-28W G4micro 827	12 mm	38 mm

CorePro LED capsule LV

General Information	
Switching Cycle	50,000
Nominal lifetime	15,000 hour(s)
Light Technical	
Color rendering index (CRI)	80
LLMF At End Of Nominal Lifetime (Nom)	70 %
Operating and Electrical	
Input Frequency	- Hz
Starting Time (Nom)	0.5 s
Mechanical and Housing	
Bulb Shape	Capsule

General Information

Order Code	Full Product Name	Cap-Base
929003779002	CorePro LEDcapsuleLV 1.7-20W G4micro 827	G4
929003779058	LED 20W G4 WW 12V ND micro SRT6	G4
929003778902	CorePro LEDcapsuleLV 1-10W G4 827micro	G4
929003778958	LED 10W G4 WW 12V ND micro SRT6	G4
929003779202	CorePro LEDcapsuleLV 2.1-20W G4 827 D	G4
929003779258	LED 20W G4 WW 12V Dim SRT6	G4

Order Code	Full Product Name	Cap-Base
929003609002	CorePro LEDcapsuleLV 4.2-40W GY6.35 827D	GY6.35
929003609058	LED 40W GY6.35 WW 12V D SRT6	GY6.35
929002389702	CorePro LEDcapsuleLV 1.8-20W GY6.35 827	GY6.35
929002389802	CorePro LEDcapsuleLV 1.8-20W GY6.35 830	GY6.35
929003779102	CorePro LEDcapsuleLV 2.4-28W G4micro 827	G4

Light Technical

Order Code	Full Product Name	Beam Angle (Nom)	Correlated		
			Color Temperature (Nom)	Color Code	Luminous Flux
929003779002	CorePro LEDcapsuleLV 1.7-20W G4micro 827	300 degree(s)	2700 K	827	200 lm
929003779058	LED 20W G4 WW 12V ND micro SRT6	-	2700 K	827	200 lm
929003778902	CorePro LEDcapsuleLV 1-10W G4 827micro	270 degree(s)	2700 K	827	100 lm
929003778958	LED 10W G4 WW 12V ND micro SRT6	-	2700 K	827	100 lm
929003779202	CorePro LEDcapsuleLV 2.1-20W G4 827 D	300 degree(s)	2700 K	827	210 lm
929003779258	LED 20W G4 WW 12V Dim SRT6	-	2700 K	827	210 lm
929003609002	CorePro LEDcapsuleLV 4.2-40W GY6.35 827D	300 degree(s)	2700 K	827	470 lm

Order Code	Full Product Name	Beam Angle (Nom)	Correlated		
			Color Temperature (Nom)	Color Code	Luminous Flux
929003609058	LED 40W GY6.35 WW 12V D SRT6	300 degree(s)	2700 K	827	470 lm
929002389702	CorePro LEDcapsuleLV 1.8-20W GY6.35 827	300 degree(s)	2700 K	827	205 lm
929002389802	CorePro LEDcapsuleLV 1.8-20W GY6.35 830	300 degree(s)	3000 K	830	215 lm
929003779102	CorePro LEDcapsuleLV 2.4-28W G4micro 827	300 degree(s)	2700 K	827	300 lm

CorePro LED capsule LV

Operating and Electrical

Order Code	Full Product Name	Line Frequency	Power Consumption	Wattage Equivalent
929003779002	CorePro LEDcapsuleLV 1.7-20W G4micro 827	-	1.7 W	20 W
929003779058	LED 20W G4 WW 12V ND micro SRT6	-	1.7 W	20 W
929003778902	CorePro LEDcapsuleLV 1-10W G4 827micro	-	1 W	10 W
929003778958	LED 10W G4 WW 12V ND micro SRT6	-	1 W	10 W
929003779202	CorePro LEDcapsuleLV 2.1-20W G4 827 D	-	2.1 W	20 W
929003779258	LED 20W G4 WW 12V Dim SRT6	-	2.1 W	20 W

Order Code	Full Product Name	Line Frequency	Power Consumption	Wattage Equivalent
929003609002	CorePro LEDcapsuleLV 4.2-40W GY6.35 827D	- Hz	4.2 W	40 W
929003609058	LED 40W GY6.35 WW 12V D SRT6	-	4.2 W	40 W
929002389702	CorePro LEDcapsuleLV 1.8-20W GY6.35 827	- Hz	1.8 W	20 W
929002389802	CorePro LEDcapsuleLV 1.8-20W GY6.35 830	- Hz	1.8 W	20 W
929003779102	CorePro LEDcapsuleLV 2.4-28W G4micro 827	-	2.4 W	28 W

Temperature

Order Code	Full Product Name	T-Case Maximum (Nom)
929003779002	CorePro LEDcapsuleLV 1.7-20W G4micro 827	60 °C
929003779058	LED 20W G4 WW 12V ND micro SRT6	60 °C
929003778902	CorePro LEDcapsuleLV 1-10W G4 827micro	62 °C
929003778958	LED 10W G4 WW 12V ND micro SRT6	62 °C
929003779202	CorePro LEDcapsuleLV 2.1-20W G4 827 D	64 °C
929003779258	LED 20W G4 WW 12V Dim SRT6	64 °C

Order Code	Full Product Name	T-Case Maximum (Nom)
929003609002	CorePro LEDcapsuleLV 4.2-40W GY6.35 827D	90 °C
929003609058	LED 40W GY6.35 WW 12V D SRT6	90 °C
929002389702	CorePro LEDcapsuleLV 1.8-20W GY6.35 827	71 °C
929002389802	CorePro LEDcapsuleLV 1.8-20W GY6.35 830	80 °C
929003779102	CorePro LEDcapsuleLV 2.4-28W G4micro 827	80 °C

Controls and Dimming

Order Code	Full Product Name	Dimmable
929003779002	CorePro LEDcapsuleLV 1.7-20W G4micro 827	No
929003779058	LED 20W G4 WW 12V ND micro SRT6	No
929003778902	CorePro LEDcapsuleLV 1-10W G4 827micro	No
929003778958	LED 10W G4 WW 12V ND micro SRT6	No
929003779202	CorePro LEDcapsuleLV 2.1-20W G4 827 D	Only with specific dimmers
929003779258	LED 20W G4 WW 12V Dim SRT6	Only with specific dimmers

Order Code	Full Product Name	Dimmable
929003609002	CorePro LEDcapsuleLV 4.2-40W GY6.35 827D	Only with specific dimmers
929003609058	LED 40W GY6.35 WW 12V D SRT6	Only with specific dimmers
929002389702	CorePro LEDcapsuleLV 1.8-20W GY6.35 827	No
929002389802	CorePro LEDcapsuleLV 1.8-20W GY6.35 830	No
929003779102	CorePro LEDcapsuleLV 2.4-28W G4micro 827	No

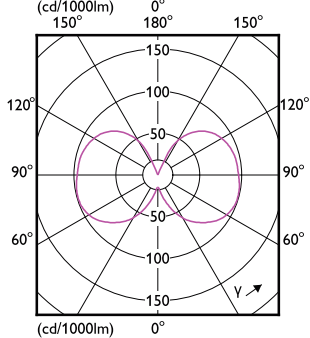
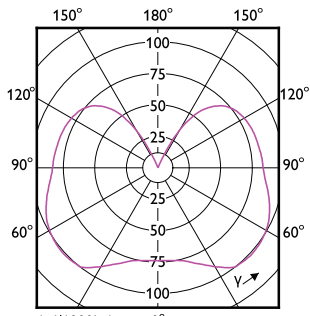
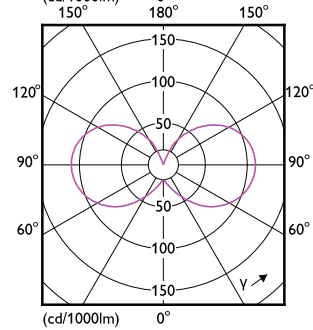
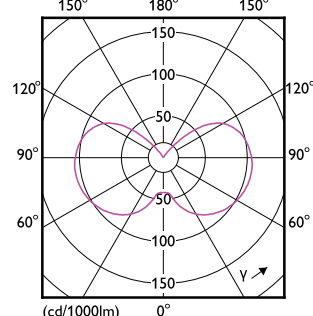
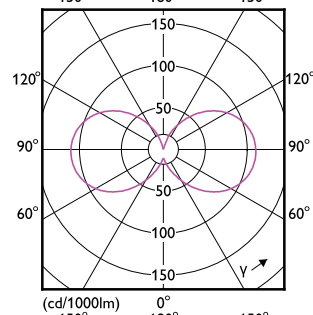
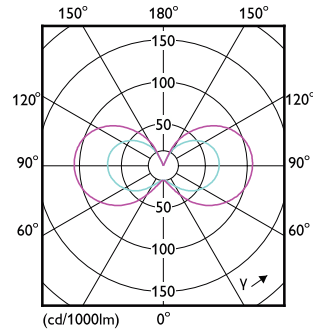
Mechanical and Housing

Order Code	Full Product Name	Bulb Finish
929003779002	CorePro LEDcapsuleLV 1.7-20W G4micro 827	Clear
929003779058	LED 20W G4 WW 12V ND micro SRT6	Clear
929003778902	CorePro LEDcapsuleLV 1-10W G4 827micro	Clear
929003778958	LED 10W G4 WW 12V ND micro SRT6	Clear
929003779202	CorePro LEDcapsuleLV 2.1-20W G4 827 D	Frosted
929003779258	LED 20W G4 WW 12V Dim SRT6	Frosted

Order Code	Full Product Name	Bulb Finish
929003609002	CorePro LEDcapsuleLV 4.2-40W GY6.35 827D	Frosted
929003609058	LED 40W GY6.35 WW 12V D SRT6	Frosted
929002389702	CorePro LEDcapsuleLV 1.8-20W GY6.35 827	Frosted
929002389802	CorePro LEDcapsuleLV 1.8-20W GY6.35 830	-
929003779102	CorePro LEDcapsuleLV 2.4-28W G4micro 827	Clear

Approval and Application

Order Code	Full Product Name	Ambient temperature range	Energy Consumption kWh/1000 h
929003779002	CorePro LEDcapsuleLV 1.7-20W G4micro 827	-20 to +45 °C	2 kWh
929003779058	LED 20W G4 WW 12V ND micro SRT6	-20 to +45 °C	2 kWh
929003778902	CorePro LEDcapsuleLV 1-10W G4 827micro	-20 to +45 °C	1 kWh
929003778958	LED 10W G4 WW 12V ND micro SRT6	-20 to +45 °C	1 kWh
929003779202	CorePro LEDcapsuleLV 2.1-20W G4 827 D	-20 to +45 °C	3 kWh
929003779258	LED 20W G4 WW 12V Dim SRT6	-20 to +45 °C	3 kWh
929003609002	CorePro LEDcapsuleLV 4.2-40W GY6.35 827D	-20 to +45 °C	5 kWh
929003609058	LED 40W GY6.35 WW 12V D SRT6	-20 to +45 °C	5 kWh
929002389702	CorePro LEDcapsuleLV 1.8-20W GY6.35 827	-20 to +35 °C	2 kWh
929002389802	CorePro LEDcapsuleLV 1.8-20W GY6.35 830	-20 to +35 °C	2 kWh
929003779102	CorePro LEDcapsuleLV 2.4-28W G4micro 827	-20 to +45 °C	3 kWh



CorePro LED capsule LV

