



Load controllers do the heavy lifting in the control system

Dynalite Load Controllers

Load controllers receive instructions from the network and adjust their controlled outputs as required. They contain all the elements – power supply, network ports, output circuits, and the microprocessor management – needed to operate the lighting groups for which they are responsible. All channel naming information, channel addressing, area addressing, and channel scene levels are stored within the memory of the load controller. Dynalite has a wide range of load controllers that can be mixed and matched to support various project requirements and multiple luminaire types. The load controller range features different types of output circuits for switching, leading/ trailing edge dimming, PWM dimming, DALI, and 0-10 V control. Controllers offer a range of channel capacities from 2-20A, as well as a choice of wall or DIN rail mounting options.

Application

- Industrial
- Education
- Healthcare
- Retail
- Hospitality

Dynalite Load Controllers

Versions



DDLEDC605GL Product Image



DDBC516FR Product Image



DMBC110 Product Image



DDBC120-DALI Product Image



DDMC802 Product Image



DBC905W Product Image

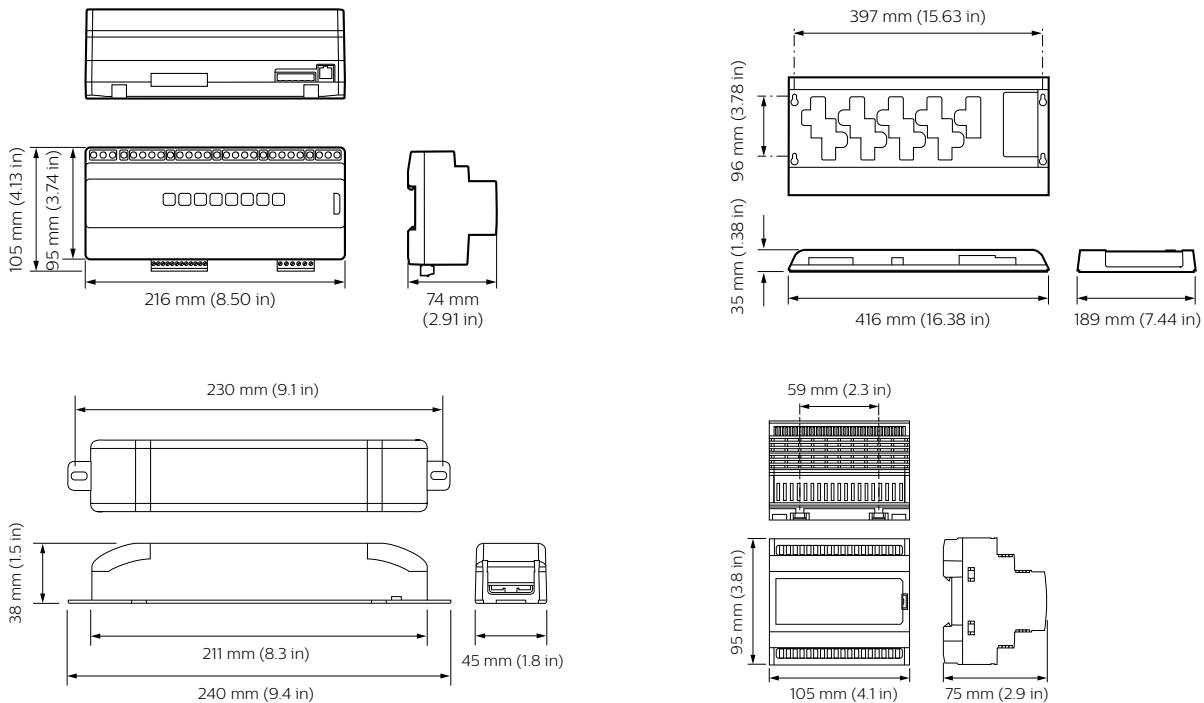


DMC4 Product Image



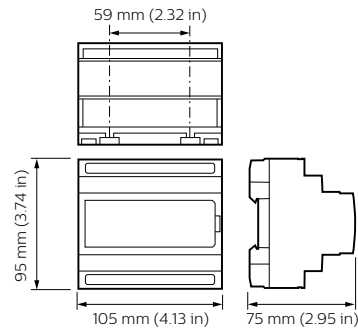
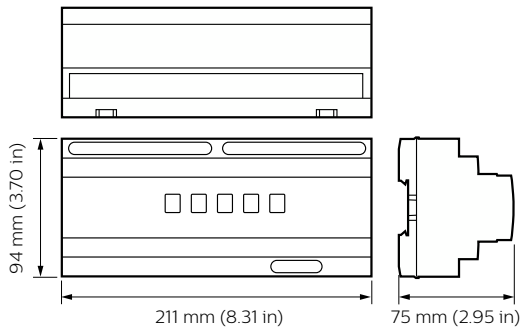
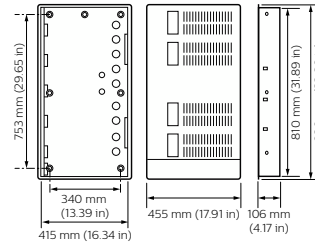
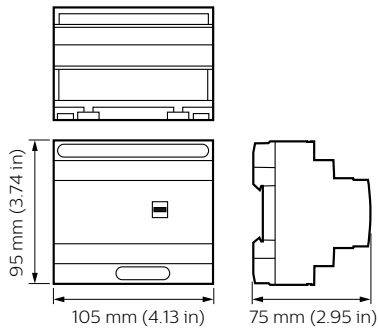
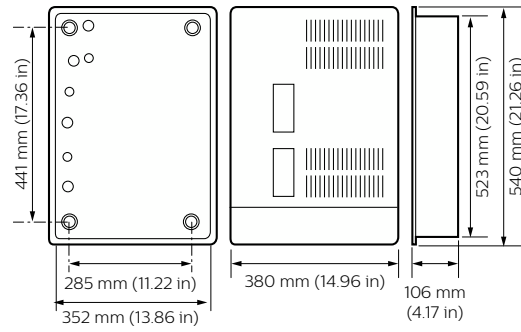
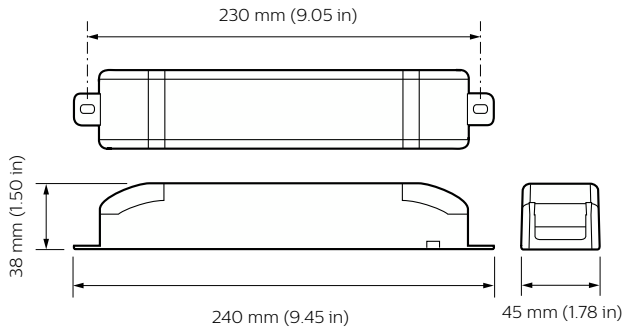
DMC2 Product Image

Dimensional drawing



Dynalite Load Controllers

Dimensional drawing



Product details



Front of the DBC905 9 x 5A
EcoLinx Signal Dimmer Controller



DDBC516FR 5 x 16A Signal Dimmer
Controller front

Dynalite Load Controllers

Product details



DMC2 Multipurpose Modular Controller - Front



DMC2 Multipurpose Modular Controller - exploded view



DMC2 Multipurpose Modular Controller - open



DMC4-CE Multipurpose Modular Controller - exploded view



DMC4-CE Multipurpose Modular Controller - front



DMC4 Complete BottomOpen Front



DMC4 DSM4 DMR316 DMD316 DMR610 DMP603 BottomClose



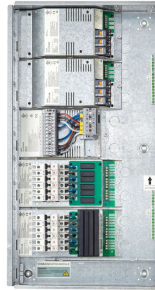
DMC4 DSM4 DMR316 DMD316 DMR610 DMP603 BottomOpen

Dynalite Load Controllers

Product details



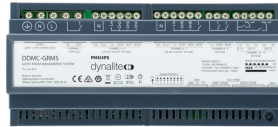
DMC4 DSM4 DMR316 DMD316
DMR610 DMP603



DMC4 DSM4 DMR316 DMD316
DMR610 DMP603 Front



DMC4 DSM4 DMR316 DMD316
DMR610 Front



DMC4 DSM4 DMR316 DMD316



DMC4 DSM4 DMR316



DMC4 DSM4 DMR316 Front



DMC4 DSM4 Front



DMC4 Empty BottomOpen

Dynalite Load Controllers

Product details

DMC4 UL BS



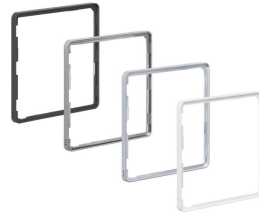
DMC4 UL Empty



DMC4 UL Empty Front



DDBC120-DALI MultiMaster DALI Driver Controller



Detail photo of the DDLEDC605-GL



DDMC802 front detail



Detail photo of the DMBC110



Dynalite Load Controllers

