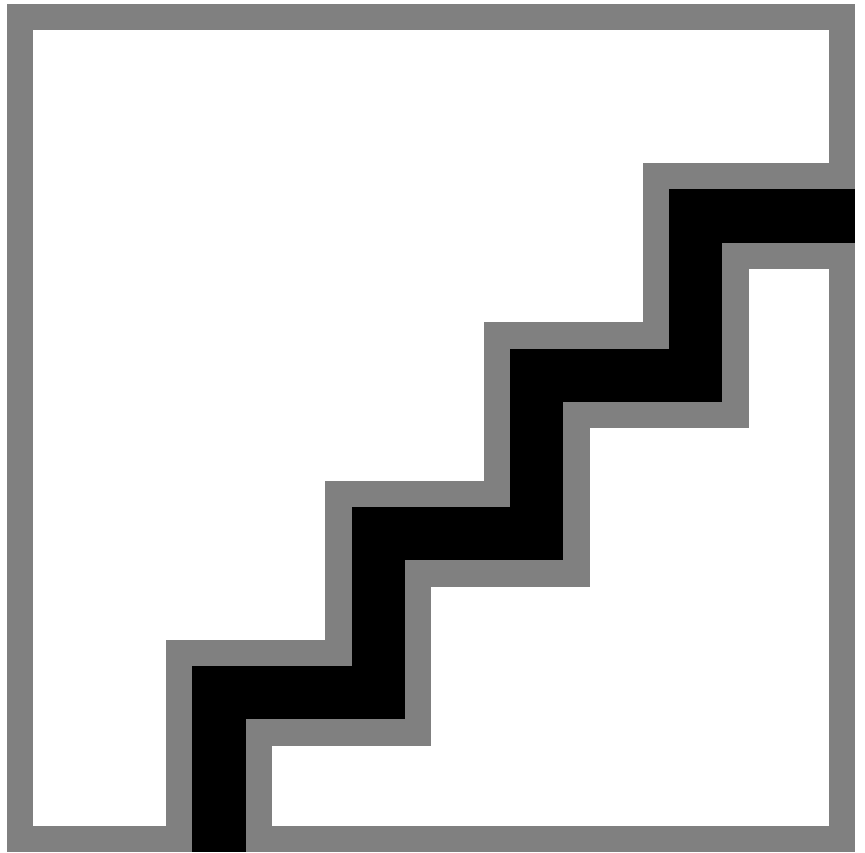




Clearflood gen2

BVP655



Clearflood gen2 : Your optimized TCO solution for general area and recreational sports projects

This new generation of Clearflood range brings the total cost of ownership of your project to the next level. The range comes in 3 sizes (BVP655, BVP656, BVP657/ BVP658) with several finishing and serviceability options, and leverages on the light engine of our Recreational Sports & Area flagship floodlight. This light engine is optimized for sports applications, as well as large areas, such as logistical hubs, outdoor car parks and storage area. Now an innovative design approach allows the availability of connected options such as the SR socket, fully integrated on the floodlight housing, and a multi-sensor on the bracket. The product range is compatible with Interact systems.

Benefits

- Optimized total cost of ownership thanks to a good balance between initial investment and operational costs
- Compatible with Interact systems
- Choose your serviceability level and finishing
- Long lasting, robust design

Applications

- Arena and Sports
- Airports
- Manufacturing
- Warehouses
- Harbor

Versions



Clearflood gen2 large - BVP657

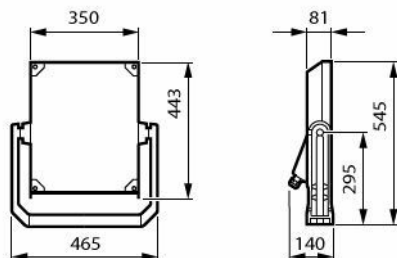


Clearflood gen2 medium - BVP656

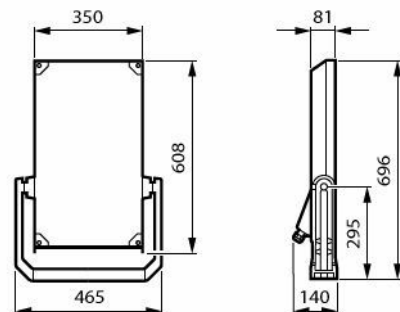


Clearflood gen2 small - BVP655

Dimensional drawing



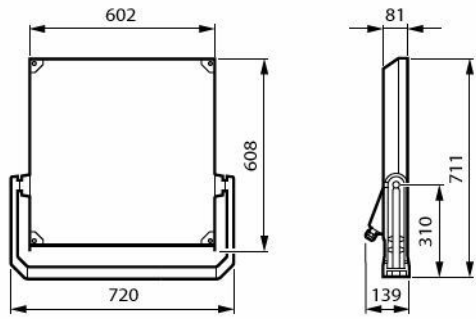
BVP655 LED300-4S/740 PSU A65-WB ALU



BVP656 LED600-4S/740 PSU A65-WB ALU

Features

- Features dedicated Sports&Area light engine and optics
- 3 different sizes : small (BVP655), medium (BVP656), large (BVP657 and BVP658)
- CCT available from 2700K to 5700K
- Electrical class I and II
- IP66, IK08
- Serviceability options: toolless opening or fixed glass
- Finishing options: raw, standard, marine protection (MSP), swimming pool protection (SPO)
- Connectivity options: SR socket, OLC node and multi-sensor options are available



BVP657 LED930-4S/740 PSU A65-WB ALU

Product details

Opening without tool



Fixed glass



Combo SR node and OSB sensor



SR socket on bracket



SR node on housing



General Information

Driver included	Yes
Service tag	Yes

Light Technical

Upward light output ratio	0
Correlated Color Temperature (Nom)	4000 K
Color rendering index (CRI)	70
Light source color	740 neutral white
Luminaire light beam spread	5° - 13° x 128°
Optic type outdoor	Asymmetrical

Operating and Electrical

Surge Protection (Common/Differential)	6/8 kV
--	--------

Controls and Dimming

Dimmable	No
----------	----

Mechanical and Housing

Housing Color	Aluminum
Ingress protection code	IP66 [Dust penetration-protected, jet-proof]
Mech. impact protection code	IK08 [5 J vandal-protected]
Standard tilt angle posttop	-
Standard tilt angle side entry	-
Optical cover type	Clear glass

Approval and Application

Flammability mark	-
CE mark	Yes

General Information

Order Code	Full Product Name	Lamp family code	Number of gear units
912300060565	BVP657 LED930-4S/740 PSU A65-WB ALU	LED930	3 units
912300060558	BVP656 LED600-4S/740 PSU A65-WB ALU	LED600	2 units
912300060551	BVP655 LED300-4S/740 PSU A65-WB ALU	LED300	1 unit

Light Technical

Order Code	Full Product Name	Luminous Flux
912300060565	BVP657 LED930-4S/740 PSU A65-WB ALU	70,450 lm
912300060558	BVP656 LED600-4S/740 PSU A65-WB ALU	45,630 lm
912300060551	BVP655 LED300-4S/740 PSU A65-WB ALU	23,100 lm

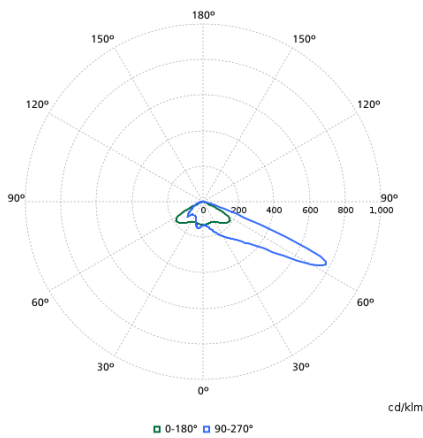
Operating and Electrical

Order Code	Full Product Name	Power Consumption
912300060565	BVP657 LED930-4S/740 PSU A65-WB ALU	530 W
912300060558	BVP656 LED600-4S/740 PSU A65-WB ALU	341 W
912300060551	BVP655 LED300-4S/740 PSU A65-WB ALU	172 W

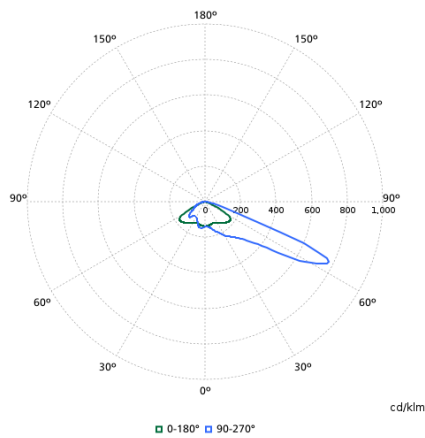
Product Data

Order Code	Full Product Name	Product family code
912300060565	BVP657 LED930-4S/740 PSU A65-WB ALU	BVP657
912300060558	BVP656 LED600-4S/740 PSU A65-WB ALU	BVP656
912300060551	BVP655 LED300-4S/740 PSU A65-WB ALU	BVP655

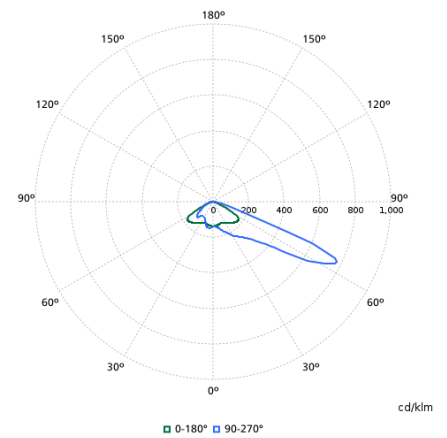
Polar normal diagrams



BVP655I - 912300060551



BVP656I - 912300060558



BVP657I - 912300060565