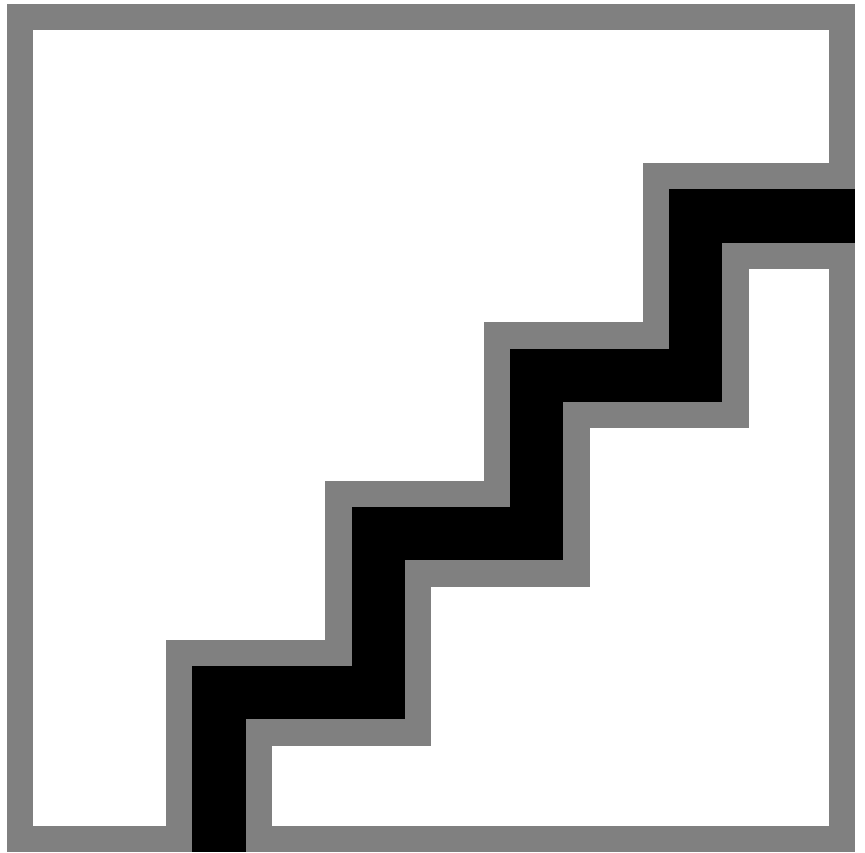




Clearflood gen2

BVP655



Clearflood gen2 : Your optimized TCO solution for general area and recreational sports projects

This new generation of Clearflood range brings the total cost of ownership of your project to the next level. The range comes in 3 sizes (BVP655, BVP656, BVP657/ BVP658) with several finishing and serviceability options, and leverages on the light engine of our Recreational Sports & Area flagship floodlight. This light engine is optimized for sports applications, as well as large areas, such as logistical hubs, outdoor car parks and storage area. Now an innovative design approach allows the availability of connected options such as the SR socket, fully integrated on the floodlight housing, and a multi-sensor on the bracket. The product range is compatible with Interact systems.

Benefits

- Optimized total cost of ownership thanks to a good balance between initial investment and operational costs
- Compatible with Interact systems
- Choose your serviceability level and finishing
- Long lasting, robust design

Applications

- Arena and Sports
- Airports
- Manufacturing
- Warehouses
- Harbor

Versions



Clearflood gen2 large -
BVP657

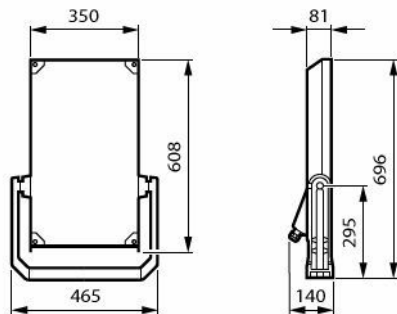


Clearflood gen2 medium -
BVP656

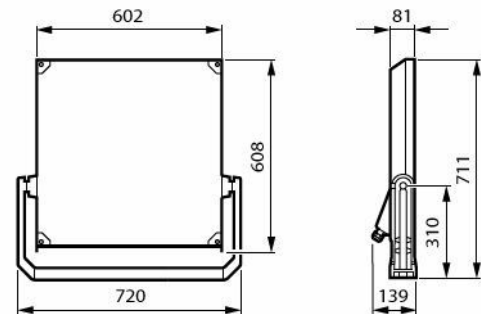
Features

- Features dedicated Sports&Area light engine and optics
- 3 different sizes : small (BVP655), medium (BVP656), large (BVP657 and BVP658)
- CCT available from 2700K to 5700K
- Electrical class I and II
- IP66, IK08
- Serviceability options: toolless opening or fixed glass
- Finishing options: raw, standard, marine protection (MSP), swimming pool protection (SPO)
- Connectivity options: SR socket, OLC node and multi-sensor options are available

Dimensional drawing



BVP656 LED600-4S/740 PSU A55-MB ALU



BVP657 LED930-4S/740 PSU A65-NWB ALU

Product details

Opening without tool



Fixed glass



Combo SR node and OSB sensor



SR socket on bracket



SR node on housing



General Information

Driver included	Yes
Service tag	Yes

Light Technical

Upward light output ratio	0
Correlated Color Temperature (Nom)	4000 K
Color rendering index (CRI)	70
Light source color	740 neutral white
Optic type outdoor	Asymmetrical

Operating and Electrical

Surge Protection (Common/Differential)	6/8 kV
--	--------

Controls and Dimming

Dimmable No

Mechanical and Housing

Housing Color Aluminum
Ingress protection code IP66 [Dust penetration-protected, jet-proof]
Mech. impact protection code IK08 [5 J vandal-protected]
Standard tilt angle posttop -
Standard tilt angle side entry -
Optical cover type Clear glass

Approval and Application

Flammability mark -
CE mark Yes

General Information

Order Code	Full Product Name	Lamp family code	Number of gear units
912300060571	BVP657 LED930-4S/740 PSU A65-NWB ALU	LED930	3 units
912300060559	BVP656 LED600-4S/740 PSU A55-MB ALU	LED600	2 units

Light Technical

Order Code	Full Product Name	Luminous Flux	Luminaire light beam spread
912300060571	BVP657 LED930-4S/740 PSU A65-NWB ALU	71,680 lm	6° - 14° x 122°
912300060559	BVP656 LED600-4S/740 PSU A55-MB ALU	49,810 lm	5° - 17° x 97°

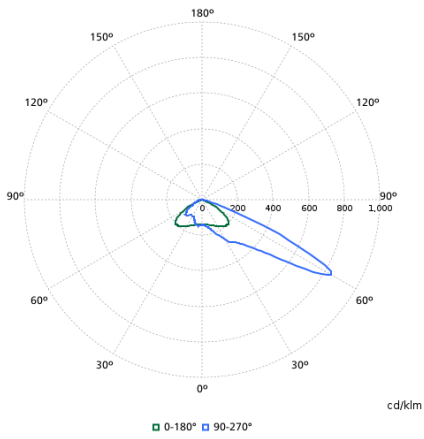
Operating and Electrical

Order Code	Full Product Name	Power Consumption
912300060571	BVP657 LED930-4S/740 PSU A65-NWB ALU	530 W
912300060559	BVP656 LED600-4S/740 PSU A55-MB ALU	341 W

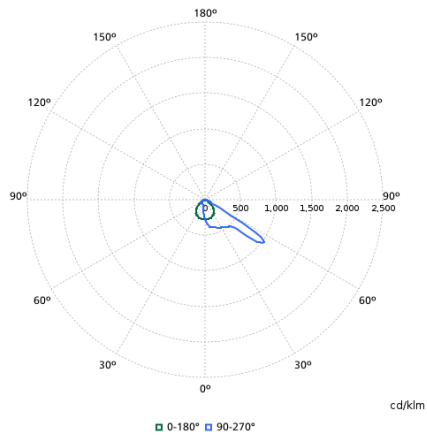
Product Data

Order Code	Full Product Name	Product family code
912300060571	BVP657 LED930-4S/740 PSU A65-NWB ALU	BVP657
912300060559	BVP656 LED600-4S/740 PSU A55-MB ALU	BVP656

Polar normal diagrams



BVP6571 - 912300060571



BVP656I - 912300060559