



Activate Your Infinite Potential, ActiStar

ActiStar

Philips ActiStar Inherits and develops Philips brand floodlight consistent advantages to a new performance level to illuminate your recreational sports fields and areas with best-in-class LED technology. It's new ideal solution for a wide range of lighting applications, like recreational sports pitch, containers yard and ports, apron and industrial large areas, intersection road, etc. ActiStar will energize your sports facilities with uniformity and be able to enhance the safety of intersection roads by maximizing efficiencies. Optimized design for 1:1 retrofitting in compact size with lower weight, wide choice of optic, high manufacturing quality. It can deliver sufficient light at higher efficacy, and it incorporates best-in-class LED light source, modular optical system, heat sink and driver into one-piece housing that meets globally recognized safety standards. Its rigorous designed heat sink incorporates aesthetics and functionality to ensure excellent reliability. The superior lighting performance and longer lifetime to activate your and infinite potential, ActiStar.

Benefits

- Design optimized for 1:1 retrofitting
- Wide choice of optic for sports, road, and area applications
- High lumen efficacy on high lumen packages to cut luminaires installation quantity
- Enhance the safety of intersection roads by maximizing efficiencies
- Smart stadiums and great fan experiences start with Interact Sports
- Energize your sports facilities with best-in-class illumination and uniformity
- Compact size with an integrated driver gives you more flexibility and convenience in installation.
- Equipped with Service Tag to provide assistance and support services
- Switching your HID high mast luminaires to ActiStar not only saves energy and operating costs, but it also allows you to achieve comparable photometric performance while cutting your luminaire quantity

Features

- Philips brand stands for high quality, elegant and aesthetic.
- Wide choice of optic for sports, road, and area applications to meet multiple needs.
- Compact design one-piece design, driver inside of housing with light weight, help addressing customers' safety and easy installation concerns.
- Compatible with Interact Sports systems
- Best-in-class LED to achieve higher efficacy on high lumen output.
- Compatible with various dimming drivers for various lighting control systems, future proof features.
- High-quality MSP coating with a robust design makes the installation suitable for harsh outdoor environment conditions

Application

- Airport Apron
- Port & Container Yard
- Large industrial areas / Car Park Areas
- Transportation Terminals & Tollways
- Recreational Sports Stadium
- Intersection Road
- General flood lighting

Specifications

Material	Housing: die-cast aluminum
	Optic cover: Polycarbonate
Light Source	High power LED module
Installation	U bracket surface-mounted
Luminous flux	system flux up to 110,000 lumen
Correlated color temperature - CCT	730/740/757/830/840/857/957
Luminaire efficacy	System typical efficacy
	757 - 135lm/W
	857 - 120lm/W
	957 - 110lm/W

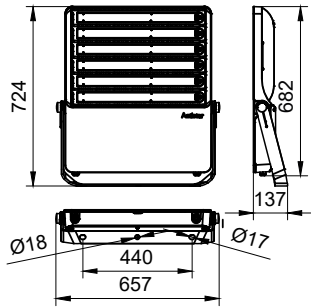
Color Rendering index - 70/80/90	
CRI	
Power	Up to 820W
Mains Voltage	220~240V, 50/60Hz
Control system input	1-10V / DALI / coded mains
Dimming	1-10V
	FP: DALI / Coded mains
Operating Temperature range	-40°C to 50°C (outdoor) , -40°C to 40°C (indoor)
Ingress protection	IP66
Certification	IECEE CB, CE, CQC, SAA

Versions



ActiStar

Dimensional drawing



Product details



ActiStar



ActiStar



ActiStar



ActiStar

General Information

Driver included	Yes
Service tag	Yes

Light Technical

Correlated Color Temperature (Nom)	5700 K
------------------------------------	--------

Controls and Dimming

Dimmable	Yes
----------	-----

Mechanical and Housing

Optical cover type	Polycarbonate bowl/cover
Housing Color	Gray
Mech. impact protection code	IK08
Ingress protection code	IP66

Approval and Application

CE mark	Yes
Flammability mark	-

Light Technical

Order Code	Full Product Name	Light source color	Color rendering	
			index (CRI)	Luminous Flux
911401614908	BVP631 LED1029/757 820W AWB 1-10V	757 cool white	>70	102,900 lm
911401615008	BVP631 LED1095/757 820W NB 1-10V	757 cool white	>70	109,500 lm
911401615108	BVP631 LED1107/757 820W SMB 1-10V	757 cool white	>70	110,700 lm
911401615208	BVP631 LED1107/757 820W SWB 1-10V	757 cool white	>70	110,700 lm
911401615308	BVP631 LED1095/757 820W S3 1-10V	757 cool white	>70	109,500 lm
911401615408	BVP631 LED1107/757 820W S5 1-10V	757 cool white	>70	110,700 lm
911401615508	BVP631 LED1107/757 820W S6 1-10V	757 cool white	>70	110,700 lm
911401615608	BVP631 LED1107/757 820W S7 1-10V	757 cool white	>70	110,700 lm
911401616008	BVP631 LED1023/757 820W DX10 1-10V	757 cool white	>70	102,300 lm
911401616108	BVP631 LED718/857 600W NB FP	857 daylight	>80	71,800 lm
911401616208	BVP631 LED898/857 750W NB FP	857 daylight	>80	89,800 lm
911401616708	BVP631 LED983/857 820W NB 1-10V	857 daylight	>80	98,300 lm

Operating and Electrical

Order Code	Full Product Name	Power Consumption	Order Code	Full Product Name	Power Consumption
911401614908	BVP631 LED1029/757 820W AWB 1-10V	820 W	911401615508	BVP631 LED1107/757 820W S6 1-10V	820 W
911401615008	BVP631 LED1095/757 820W NB 1-10V	820 W	911401615608	BVP631 LED1107/757 820W S7 1-10V	820 W
911401615108	BVP631 LED1107/757 820W SMB 1-10V	820 W	911401616008	BVP631 LED1023/757 820W DX10 1-10V	820 W
911401615208	BVP631 LED1107/757 820W SWB 1-10V	820 W	911401616108	BVP631 LED718/857 600W NB FP	600 W
911401615308	BVP631 LED1095/757 820W S3 1-10V	820 W	911401616208	BVP631 LED898/857 750W NB FP	750 W
911401615408	BVP631 LED1107/757 820W S5 1-10V	820 W	911401616708	BVP631 LED983/857 820W NB 1-10V	820 W

