

ArenaVision LED gen3.5 – Revolutionizing the pitch-lighting experience

ArenaVision LED gen3.5

The ArenaVision LED floodlighting system is an innovative LED pitch-lighting solution supporting the latest TV broadcasting standards. Designed exclusively for sports and multi-purpose venues, ArenaVision LED offers outstanding light quality, effective thermal management, and long lifetime. When combined with control applications such as the InteractSports lighting management system, ArenaVision LED can simplify the delivery of the right illumination by scheduling or through real-time adjustments and can be used to create customized light shows before, during and after the main event. To ensure optimized use for both indoor and outdoor applications, the floodlight range includes two single piece pressure die cast housing versions, hosting 2 and 3 LED engines respectively. These versions also function with an external driver box – separate for use at a distance from the floodlight (BV version), or pre-fixed onto the mounting bracket of the floodlight (HGB version). This external driver box ensures ease of installation and lower initial cost.

ArenaVision LED gen3.5

Benefits

- Maximum design flexibility to fit different stadium architectures and high lighting quality – compliant with international broadcasting standards for any type of sports
- The single High-Power IP66 rated, DMX driver enables ArenaVision LED to be connected to the Interact Sports lighting management system, thereby enabling remote light management and creation of dynamic light shows
- While delivering maximum light output the floodlight has an excellent thermal management system, which in combination with its low weight and IP66 rating helps maximize lifetime and minimize maintenance costs for both new built and retrofit installations
- Equipped with Service tag, a QR-based identification system that makes each luminaire uniquely identifiable and provides maintenance, installation and spare part information

Features

- Single piece pressure die cast housing, with a protection level of IP66 against dust and water
- Wide range of asymmetrical and symmetrical optics ensuring low glare and best in class lighting uniformity exceeding the requirements of all types of sports lighting level standards
- Wide range of ambient temperature tolerance making it suitable for a variety of sports applications
- Option to add additional accessories to achieve best in class glare and up-light control
- Programmable DMX Driver to enable programming and integration with entertainment lighting fixtures and other Interact Sports applications

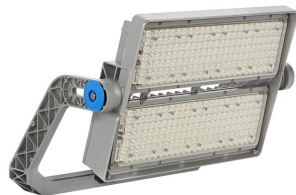
Application

- Outdoor arenas, stadiums and Racing tracks (Cricket, Football, Rugby, Tennis, Hockey, Golf, Ice skating, Horse racing, F1 racing, Athletics, etc.)
- Indoor sports arenas and halls (Swimming pools, Velodromes, Basketball, Ice hockey, etc.)
- Multiple and multipurpose sports facilities and arenas

Versions



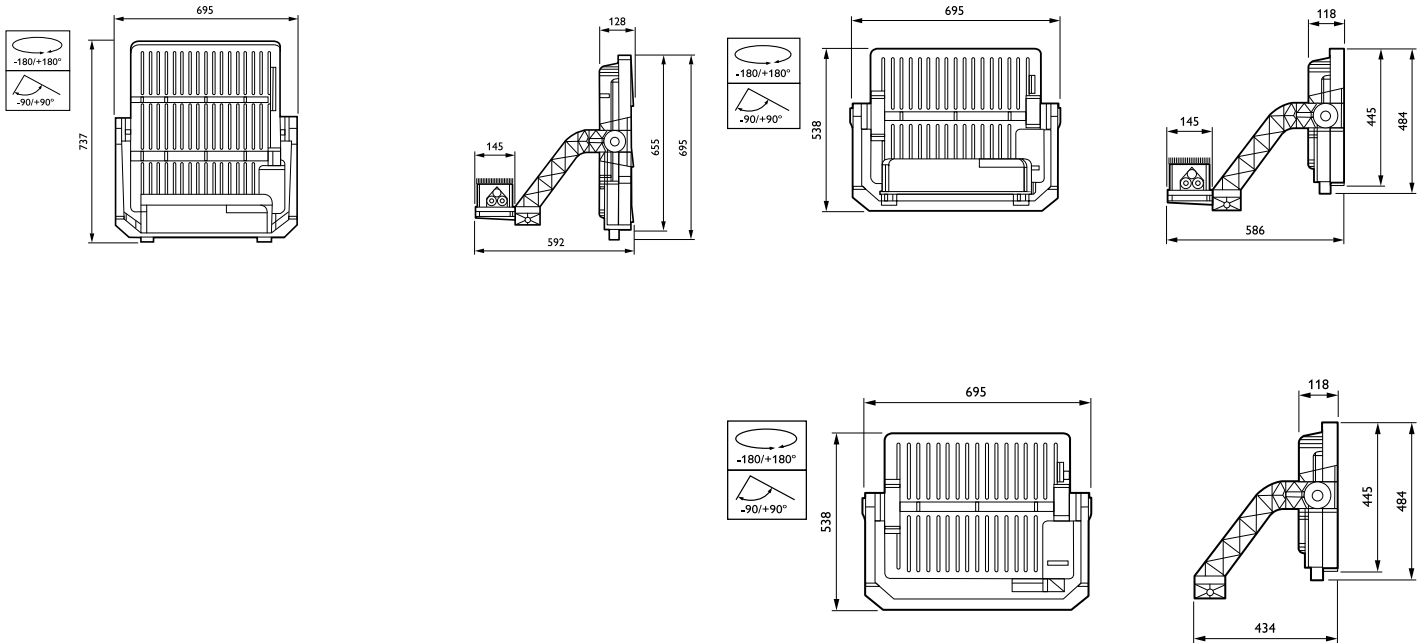
ArenaVision LED gen3 5



ArenaVision LED gen3 5

ArenaVision LED gen3.5

Dimensional drawing



ArenaVision LED gen3.5

General Information	
Driver included	Yes
Number of gear units	1 unit
Service tag	Yes
Light Technical	
Luminaire light beam spread	2° x 10°
Correlated Color Temperature (Nom)	5700 K
Optic type outdoor	Symmetrical
Upward light output ratio	0
Operating and Electrical	
Surge Protection (Common/Differential)	Surge protection level until 10 kV differential mode
Controls and Dimming	
Dimmable	Yes
Mechanical and Housing	
Optical cover type	Polycarbonate bowl/cover clear
Housing Color	Aluminum
Mech. impact protection code	IK08
Ingress protection code	IP66
Standard tilt angle side entry	-
Standard tilt angle posttop	0°
Approval and Application	
CE mark	Yes
Flammability mark	-

General Information

Order Code	Full Product Name	Lamp family code
912300060412	BVP418 1470/957 HGB S2 T35 OUT PSDMX	LED1470
912300060416	BVP418 1650/857 HGB S2 T35 OUT PSDMX	LED1650
912300060418	BVP418 1720/757 HGB S2 T35 OUT PSDMX	LED1720
912300060420	BVP428 2200/957 BV S2 T35 OUT PSDMX	LED2200
912300060424	BVP428 2470/857 BV S2 T35 OUT PSDMX	LED2500
912300060427	BVP428 2590/757 BV S2 T35 OUT PSDMX	LED2600
912300060411	BVP418 1470/957 BV S2 T35 OUT PSDMX	LED1470
912300060414	BVP418 1650/857 BV S2 T35 OUT PSDMX	LED1650
912300060417	BVP418 1720/757 BV S2 T35 OUT PSDMX	LED1720
912300060422	BVP428 2200/957 HGB S2 T35 OUT PSDMX	LED2200
912300060426	BVP428 2470/857 HGB S2 T35 OUT PSDMX	LED2500
912300060428	BVP428 2590/757 HGB S2 T35 OUT PSDMX	LED2600

Light Technical

Order Code	Full Product Name	Light source color	Color		Luminous Flux
			rendering index (CRI)	Luminous Flux	
912300060412	BVP418 1470/957 HGB S2 T35 OUT PSDMX	957 cool white	90	130,830 lm	
912300060416	BVP418 1650/857 HGB S2 T35 OUT PSDMX	857 daylight	80	145,200 lm	
912300060418	BVP418 1720/757 HGB S2 T35 OUT PSDMX	757 cool white	70	151,360 lm	
912300060420	BVP428 2200/957 BV S2 T35 OUT PSDMX	957 cool white	90	193,600 lm	
912300060424	BVP428 2470/857 BV S2 T35 OUT PSDMX	857 daylight	80	217,360 lm	
912300060427	BVP428 2590/757 BV S2 T35 OUT PSDMX	757 cool white	70	227,920 lm	

Order Code	Full Product Name	Light source color	Color		Luminous Flux
			rendering index (CRI)	Luminous Flux	
912300060411	BVP418 1470/957 BV S2 T35 OUT PSDMX	957 cool white	90	130,830 lm	
912300060414	BVP418 1650/857 BV S2 T35 OUT PSDMX	857 daylight	80	145,200 lm	
912300060417	BVP418 1720/757 BV S2 T35 OUT PSDMX	757 cool white	70	151,360 lm	
912300060422	BVP428 2200/957 HGB S2 T35 OUT PSDMX	957 cool white	90	193,600 lm	
912300060426	BVP428 2470/857 HGB S2 T35 OUT PSDMX	857 daylight	80	217,360 lm	
912300060428	BVP428 2590/757 HGB S2 T35 OUT PSDMX	757 cool white	70	227,920 lm	

Operating and Electrical

ArenaVision LED gen3.5

Order Code	Full Product Name	Power Consumption
912300060412	BVP418 1470/957 HGB S2 T35 OUT PSDMX	1,010 W
912300060416	BVP418 1650/857 HGB S2 T35 OUT PSDMX	1,010 W
912300060418	BVP418 1720/757 HGB S2 T35 OUT PSDMX	1,010 W
912300060420	BVP428 2200/957 BV S2 T35 OUT PSDMX	1,500 W
912300060424	BVP428 2470/857 BV S2 T35 OUT PSDMX	1,500 W
912300060427	BVP428 2590/757 BV S2 T35 OUT PSDMX	1,500 W

Order Code	Full Product Name	Power Consumption
912300060411	BVP418 1470/957 BV S2 T35 OUT PSDMX	1,010 W
912300060414	BVP418 1650/857 BV S2 T35 OUT PSDMX	1,010 W
912300060417	BVP418 1720/757 BV S2 T35 OUT PSDMX	1,010 W
912300060422	BVP428 2200/957 HGB S2 T35 OUT PSDMX	1,500 W
912300060426	BVP428 2470/857 HGB S2 T35 OUT PSDMX	1,500 W
912300060428	BVP428 2590/757 HGB S2 T35 OUT PSDMX	1,500 W

Product Data

Order Code	Full Product Name	Product family code
912300060412	BVP418 1470/957 HGB S2 T35 OUT PSDMX	BVP418
912300060416	BVP418 1650/857 HGB S2 T35 OUT PSDMX	BVP418
912300060418	BVP418 1720/757 HGB S2 T35 OUT PSDMX	BVP418
912300060420	BVP428 2200/957 BV S2 T35 OUT PSDMX	BVP428
912300060424	BVP428 2470/857 BV S2 T35 OUT PSDMX	BVP428
912300060427	BVP428 2590/757 BV S2 T35 OUT PSDMX	BVP428

Order Code	Full Product Name	Product family code
912300060411	BVP418 1470/957 BV S2 T35 OUT PSDMX	BVP418
912300060414	BVP418 1650/857 BV S2 T35 OUT PSDMX	BVP418
912300060417	BVP418 1720/757 BV S2 T35 OUT PSDMX	BVP418
912300060422	BVP428 2200/957 HGB S2 T35 OUT PSDMX	BVP428
912300060426	BVP428 2470/857 HGB S2 T35 OUT PSDMX	BVP428
912300060428	BVP428 2590/757 HGB S2 T35 OUT PSDMX	BVP428

