



Easy Choice and Reliable Operation; Wattage selectable and color temperature selectable.

Tempo All-in

Tempo All-in LED floodlights are highly versatile and are designed to meet diverse application requirements, including billboards, security amenity lighting, building facade, parking spaces. Not only do Tempo All-in LED floodlights provide illumination of high performance with easy choice of wattage selectable and color temperature selectable, they also combine functionality with aesthetics, without compromising on cost efficiency and reliability over the long lifespan.

Benefits

- Trusted - High performance, longer life and reliable
- All-in design by dip switch with CCT selectable & lumen/wattage selectable
- Fast installation with flying cable
- Energy saving

Features

- Reliable performance of 50Khrs @L80 lifetime, IP66/IK08, complying to CB and IES safety standard.
- CCT 3000-4000-5700K selectable & wattage/lumen selectable easily adjusted by switch.
- Symmetric & Asymmetric two beam angle options which can meet professional applications
- 140lm/w system efficacy

Tempo All-in

Application

- Architecture and landscape lighting
- Billboards, advertising lighting
- Security/amenity lighting
- Parking area lighting

Warnings and Safety

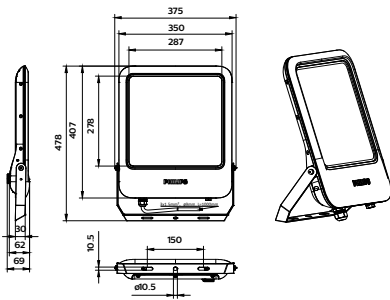
- NOT recommended for very severe conditions (marine areas, beaches, deserts, industrial sites or any harsh environment).
- The efficacy typical value and may vary by different color temperature, different wattage and optics.

Versions



tempo all-in large

Dimensional drawing



Product details



tempo all-in detail image



tempo all-in detail image

