



Iconic design, ready to participate in your smart city ecosystem

CityMood draws its inspiration from the street lamps of the early 20th century, which combined a conical bowl with a suspended canopy. CityMood preserves your city heritage by keeping the distinctive design characteristics of these iconic luminaires. CityMood integrates smoothly into existing infrastructures, poles, and brackets, and reduces energy costs without sacrificing safety, performance, or quality of light. The LEDGINE - O comes as a standard feature, with light output ranging from 900 lm to 16200 lm, a choice of more than 30 optics and distributions, and a range of CCTs and CRIs. Designed for mounting heights of 4 m to 8 m, CityMood is ideal for a wide range of outdoor lighting applications in both contemporary and historical environments. Future-proof and ready to participate in smart city ecosystems, CityMood helps you make progress toward your sustainability goals, wherever you happen to be in your digitalization journey. CityMood is available with one or two Zhaga-D4i (ZD4i) system-

ready (SR) sockets and is therefore ready to pair with advanced lighting management systems such as Interact, or with sensors such as the Outdoor Sensor Bundle (OSB). Every CityMood luminaire is uniquely identifiable via the Signify Service tag app. Simply scan a QR code placed inside the mast door or directly on the luminaire to instantly access the luminaire configuration. Service tag makes maintenance and programming operations faster and easier, and enables you to create a digital library of lighting assets and spare parts. Toolless opening versions provide direct access to the gear and light engine.

Benefits

- Iconic and elegant luminaire preserves your city heritage in both contemporary and historical environments
- Future-proof and ready to participate in smart city ecosystems via a Zhaga-D4i (ZD4i) SR (system-ready) socket
- Toolless opening versions are easy to install and maintain
- Equipped with Service tag, a QR-based identification system that uniquely identifies each luminaire and provides maintenance, installation, and spare parts information

Applications

- Parks and Plazas
- Residential
- Road and Street

Versions



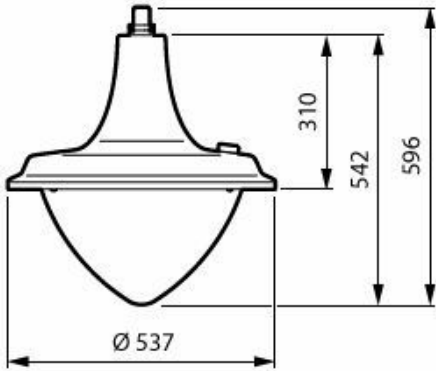
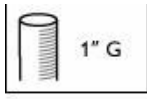
CityMood BSP673 –
toolless opening version
with clear polycarbonate
bowl and top socket

- Main urban roads and streets, side and residential roads and streets
- City centers and historical areas
- Cycle and pedestrian paths, squares, parks, and playgrounds

Features

- Available with clear flat glass or clear polycarbonate bowl
- Optional decorative crowns
- Energy- and optically-efficient LED technology
- Large choice of beams angles
- Internal louver to minimize glare and obtrusive backlight
- Ready to pair with advanced control and lighting management systems such as Interact, or sensors such as the Outdoor Sensor Bundle (OSB)

Dimensional drawing



BSP673 LED120/730 PCC II DW50 G1 SRT BK

Product details



CityMood - toolless opening version



CityMood top socket view



CityMood hinge view

General Information

Lamp family code	LED120 [LED module 12000 lm]
Number of gear units	1 unit
Driver included	Yes
Service tag	Yes

Light Technical

Upward light output ratio	2
Luminous Flux	10,440 lm
Correlated Color Temperature (Nom)	3000 K
Color rendering index (CRI)	70
Light source color	730 warm white
Luminaire light beam spread	-
Optic type outdoor	Distribution wide 50

Operating and Electrical

Power Consumption	70.8 W
Surge Protection (Common/Differential)	Standard surge protection level

Controls and Dimming

Dimmable	Yes
Maximum dim level	Not applicable

Mechanical and Housing

Housing Color	Black
Ingress protection code	IP66 [Dust penetration-protected, jet-proof]
Mech. impact protection code	IK10 [20 J vandal-resistant]
Standard tilt angle posttop	-
Standard tilt angle side entry	-
Optical cover type	Polycarbonate bowl/cover clear

Emergency Operation

Central Emergency	No
-------------------	----

Approval and Application

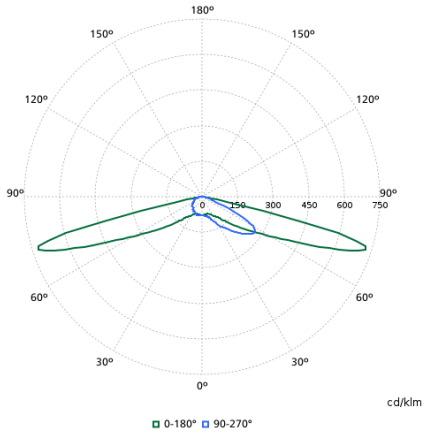
Flammability mark	-
CE mark	Yes

Product Data

Product family code

BSP673 [CityMood]

Polar normal diagrams



BSP672I - 912300060517