



## Iconic design, ready to participate in your smart city ecosystem

CityMood draws its inspiration from the street lamps of the early 20th century, which combined a conical bowl with a suspended canopy. CityMood preserves your city heritage by keeping the distinctive design characteristics of these iconic luminaires. CityMood integrates smoothly into existing infrastructures, poles, and brackets, and reduces energy costs without sacrificing safety, performance, or quality of light. The LEDGINE - O comes as a standard feature, with light output ranging from 900 lm to 16200 lm, a choice of more than 30 optics and distributions, and a range of CCTs and CRIs. Designed for mounting heights of 4 m to 8 m, CityMood is ideal for a wide range of outdoor lighting applications in both contemporary and historical environments. Future-proof and ready to participate in smart city ecosystems, CityMood helps you make progress toward your sustainability goals, wherever you happen to be in your digitalization journey. CityMood is available with one or two Zhaga-D4i (ZD4i) system-

ready (SR) sockets and is therefore ready to pair with advanced lighting management systems such as Interact, or with sensors such as the Outdoor Sensor Bundle (OSB). Every CityMood luminaire is uniquely identifiable via the Signify Service tag app. Simply scan a QR code placed inside the mast door or directly on the luminaire to instantly access the luminaire configuration. Service tag makes maintenance and programming operations faster and easier, and enables you to create a digital library of lighting assets and spare parts. Toolless opening versions provide direct access to the gear and light engine.

## Benefits

- Iconic and elegant luminaire preserves your city heritage in both contemporary and historical environments
- Future-proof and ready to participate in smart city ecosystems via a Zhaga-D4i (ZD4i) SR (system-ready) socket
- Toolless opening versions are easy to install and maintain
- Equipped with Service tag, a QR-based identification system that uniquely identifies each luminaire and provides maintenance, installation, and spare parts information

## Applications

- Parks and Plazas
- Residential
- Road and Street

## Versions



CityMood BSP673 – toolless opening version with clear polycarbonate bowl and top socket



CityMood BSP672 with clear polycarbonate bowl and bottom crown

- Main urban roads and streets, side and residential roads and streets
- City centers and historical areas
- Cycle and pedestrian paths, squares, parks, and playgrounds

## Features

- Available with clear flat glass or clear polycarbonate bowl
- Optional decorative crowns
- Energy- and optically-efficient LED technology
- Large choice of beams angles
- Internal louver to minimize glare and obtrusive backlight
- Ready to pair with advanced control and lighting management systems such as Interact, or sensors such as the Outdoor Sensor Bundle (OSB)



CityMood BSP672 with clear polycarbonate bowl, top & bottom crown



CityMood BSP672 with clear polycarbonate bowl, top crown and top socket



CityMood BSP672 with clear flat glass



CityMood BSP672 with clear polycarbonate bowl, bottom crown and top socket



CityMood BSP672 with clear polycarbonate bowl and top socket



CityMood BSP672 with clear polycarbonate bowl, top & bottom crown and top socket



CityMood BSP672 with clear flat glass, top and bottom socket



CityMood BSP672 with clear polycarbonate bowl

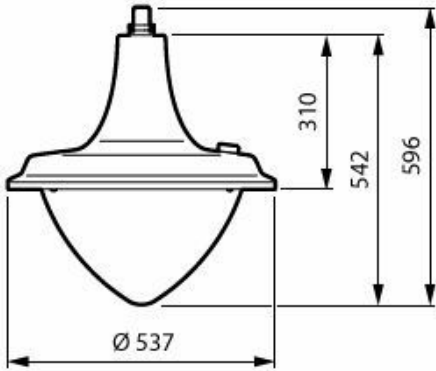
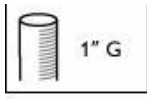


CityMood BSP672 with clear flat glass and top socket

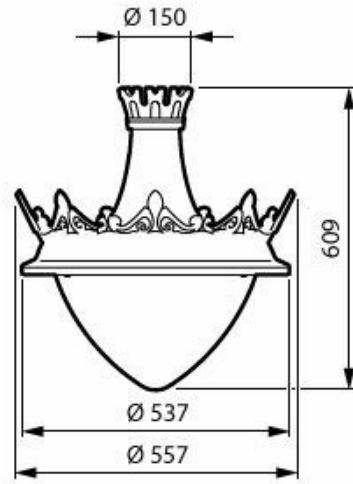


CityMood BSP672 with clear polycarbonate bowl and top crown

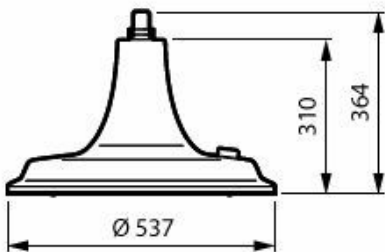
## Dimensional drawing



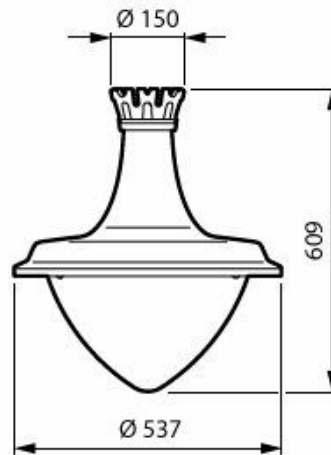
BSP673 LED120/730 PCC II DW50 G1 SRT BK



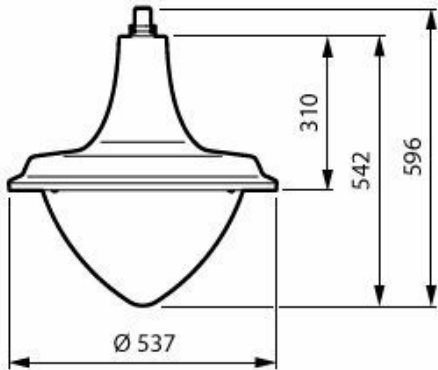
BSP672 LED100730 PCC II DM50 G1 CRN3 AL



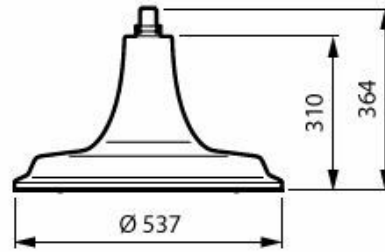
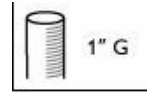
BSP672 LED60/727 FG II DM50 G1 SRT BK



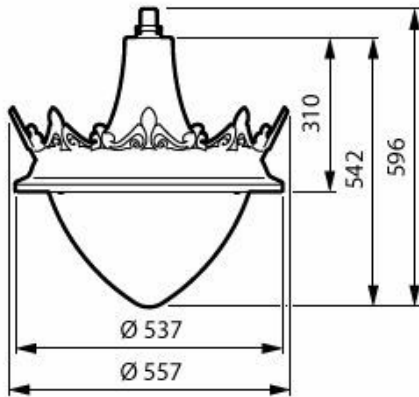
BSP672 LED60/730 PCC II DS50 G1 CRN1 AL



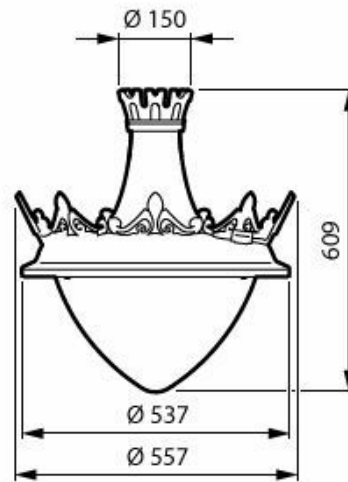
BSP672 LED50/727 PCC II DM10 G1 BK



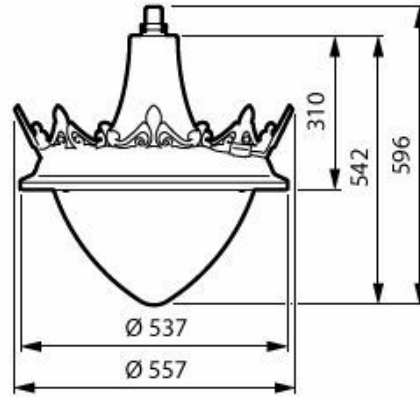
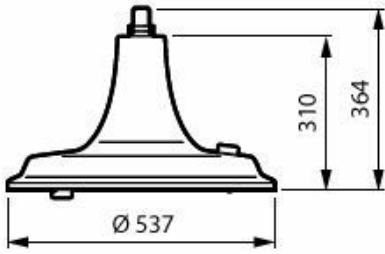
BSP672 LED80/730 FG II DM10 G1 BK



BSP672 LED20/730 PCC II DM50 G1 CRN2 AL

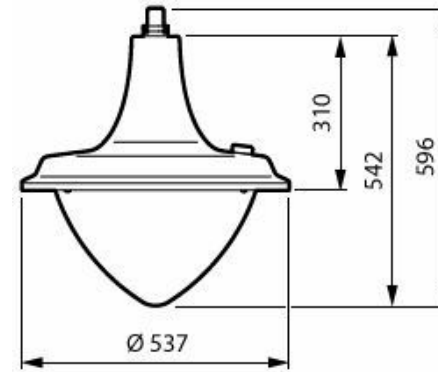
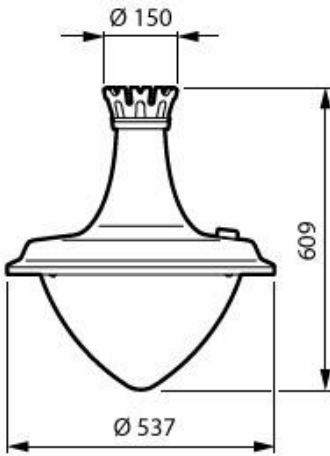


BSP672 LED120/730 PCC II DM50 G1 CRN3 AL



BSP672 LED30/722 FG II DS50 G1 SRT SRB B

BSP672 LED140/730 PCC II DM50 G1 CRN2 AL



BSP672 LED80/830 PCC II DM50 G1 CRN1 AL

BSP672 LED30/722 PCC II DM50 G1 SRT BK

## Product details



CityMood bottom socket view



CityMood - tooless opening version



CityMood 20 LED view



CityMood 1" gas suspended fixation with counter-nut



CityMood top socket view



CityMood hinge view

CityMood top crown details



### General Information

Number of gear units	1 unit
Driver included	Yes
Service tag	Yes

## Light Technical

Luminaire light beam spread -

## Operating and Electrical

Surge Protection (Common/Differential) Standard surge protection level

## Controls and Dimming

Dimmable Yes  
Maximum dim level Not applicable

## Mechanical and Housing

Housing Color Black  
Ingress protection code IP66 [Dust penetration-protected, jet-proof]  
Standard tilt angle posttop -  
Standard tilt angle side entry -

## Emergency Operation

Central Emergency No

## Approval and Application

Flammability mark -  
CE mark Yes

## General Information

Order Code	Full Product Name	Lamp family code
56852500	BSP673 LED120/730 PCC II DW50 G1 SRT BK	LED120
56845700	BSP672 LED20/730 PCC II DM50 G1 CRN2 AL	LED20
56847100	BSP672 LED100/730 PCC II DM50 G1 CRN3 AL	LED100
56844000	BSP672 LED80/830 PCC II DM50 G1 CRN1 AL	LED80
56849500	BSP672 LED80/730 FG II DM10 G1 BK	LED80
56846400	BSP672 LED140/730 PCC II DM50 G1 CRN2 AL	LED140
56842600	BSP672 LED30/722 PCC II DM50 G1 SRT BK	LED30
56848800	BSP672 LED120/730 PCC II DM50 G1 CRN3 AL	LED120
56851800	BSP672 LED30/722 FG II DS50 G1 SRT SRB B	LED30
56841900	BSP672 LED50/727 PCC II DM10 G1 BK	LED50
56850100	BSP672 LED60/727 FG II DM50 G1 SRT BK	LED60
56843300	BSP672 LED60/730 PCC II DS50 G1 CRN1 AL	LED60

## Light Technical

Order Code	Full Product Name	Upward light output ratio	Luminous Flux	Correlated Color Temperature (Nom)	Color rendering index (CRI)	Light source color	Optic type outdoor
56852500	BSP673 LED120/730 PCC II DW50 G1 SRT BK	2	10,440 lm	3000 K	70	730 warm white	Distribution wide 50
56845700	BSP672 LED20/730 PCC II DM50 G1 CRN2 AL	2	1,840 lm	3000 K	70	730 warm white	Distribution medium 50
56847100	BSP672 LED100/730 PCC II DM50 G1 CRN3 AL	2	9,000 lm	3000 K	70	730 warm white	Distribution medium 50
56844000	BSP672 LED80/830 PCC II DM50 G1 CRN1 AL	2	7,200 lm	3000 K	80	830 warm white	Distribution medium 50
56849500	BSP672 LED80/730 FG II DM10 G1 BK	0	7,200 lm	3000 K	70	730 warm white	Distribution medium 10
56846400	BSP672 LED140/730 PCC II DM50 G1 CRN2 AL	2	12,320 lm	3000 K	70	730 warm white	Distribution medium 50
56842600	BSP672 LED30/722 PCC II DM50 G1 SRT BK	2	2,760 lm	2200 K	70	722 warm white	Distribution medium 50
56848800	BSP672 LED120/730 PCC II DM50 G1 CRN3 AL	2	10,680 lm	3000 K	70	730 warm white	Distribution medium 50
56851800	BSP672 LED30/722 FG II DS50 G1 SRT SRB B	0	2,550 lm	2200 K	70	722 warm white	Distribution symmetrical 50
56841900	BSP672 LED50/727 PCC II DM10 G1 BK	2	4,750 lm	2700 K	70	727 warm white	Distribution medium 10
56850100	BSP672 LED60/727 FG II DM50 G1 SRT BK	0	5,220 lm	2700 K	70	727 warm white	Distribution medium 50
56843300	BSP672 LED60/730 PCC II DS50 G1 CRN1 AL	2	5,580 lm	3000 K	70	730 warm white	Distribution symmetrical 50

## Operating and Electrical

Order Code	Full Product Name	Power Consumption
56852500	BSP673 LED120/730 PCC II DW50 G1 SRT BK	70.8 W
56845700	BSP672 LED20/730 PCC II DM50 G1 CRN2 AL	13 W
56847100	BSP672 LED100/730 PCC II DM50 G1 CRN3 AL	58.3 W
56844000	BSP672 LED80/830 PCC II DM50 G1 CRN1 AL	51.7 W
56849500	BSP672 LED80/730 FG II DM10 G1 BK	46.2 W
56846400	BSP672 LED140/730 PCC II DM50 G1 CRN2 AL	84.1 W
56842600	BSP672 LED30/722 PCC II DM50 G1 SRT BK	26.1 W
56848800	BSP672 LED120/730 PCC II DM50 G1 CRN3 AL	70.8 W
56851800	BSP672 LED30/722 FG II DS50 G1 SRT SRB B	26.1 W
56841900	BSP672 LED50/727 PCC II DM10 G1 BK	35.9 W
56850100	BSP672 LED60/727 FG II DM50 G1 SRT BK	39.4 W
56843300	BSP672 LED60/730 PCC II DS50 G1 CRN1 AL	34.7 W

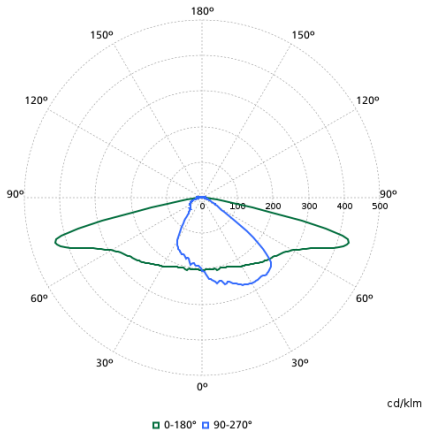
## Mechanical and Housing

Order Code	Full Product Name	Mech. impact protection code	Optical cover type
56852500	BSP673 LED120/730 PCC II DW50 G1 SRT BK	IK10	Polycarbonate bowl/cover clear
56845700	BSP672 LED20/730 PCC II DM50 G1 CRN2 AL	IK10	Polycarbonate bowl/cover clear
56847100	BSP672 LED100730 PCC II DM50 G1 CRN3 AL	IK10	Polycarbonate bowl/cover clear
56844000	BSP672 LED80/830 PCC II DM50 G1 CRN1 AL	IK10	Polycarbonate bowl/cover clear
56849500	BSP672 LED80/730 FG II DM10 G1 BK	IK09	Flat glass
56846400	BSP672 LED140/730 PCC II DM50 G1 CRN2 AL	IK10	Polycarbonate bowl/cover clear
56842600	BSP672 LED30/722 PCC II DM50 G1 SRT BK	IK10	Polycarbonate bowl/cover clear
56848800	BSP672 LED120/730 PCC II DM50 G1 CRN3 AL	IK10	Polycarbonate bowl/cover clear
56851800	BSP672 LED30/722 FG II DS50 G1 SRT SRB B	IK09	Flat glass
56841900	BSP672 LED50/727 PCC II DM10 G1 BK	IK10	Polycarbonate bowl/cover clear
56850100	BSP672 LED60/727 FG II DM50 G1 SRT BK	IK09	Flat glass
56843300	BSP672 LED60/730 PCC II DS50 G1 CRN1 AL	IK10	Polycarbonate bowl/cover clear

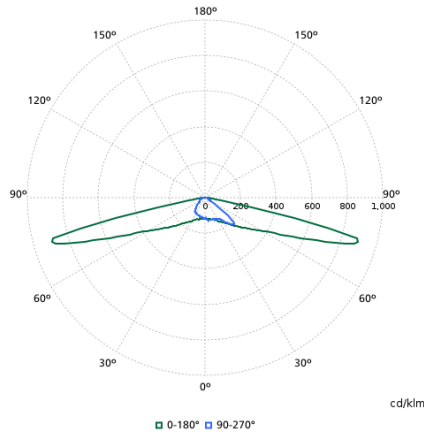
## Product Data

Order Code	Full Product Name	Product family code
56852500	BSP673 LED120/730 PCC II DW50 G1 SRT BK	BSP673
56845700	BSP672 LED20/730 PCC II DM50 G1 CRN2 AL	BSP672
56847100	BSP672 LED100730 PCC II DM50 G1 CRN3 AL	BSP672
56844000	BSP672 LED80/830 PCC II DM50 G1 CRN1 AL	BSP672
56849500	BSP672 LED80/730 FG II DM10 G1 BK	BSP672
56846400	BSP672 LED140/730 PCC II DM50 G1 CRN2 AL	BSP672
56842600	BSP672 LED30/722 PCC II DM50 G1 SRT BK	BSP672
56848800	BSP672 LED120/730 PCC II DM50 G1 CRN3 AL	BSP672
56851800	BSP672 LED30/722 FG II DS50 G1 SRT SRB B	BSP672
56841900	BSP672 LED50/727 PCC II DM10 G1 BK	BSP672
56850100	BSP672 LED60/727 FG II DM50 G1 SRT BK	BSP672
56843300	BSP672 LED60/730 PCC II DS50 G1 CRN1 AL	BSP672

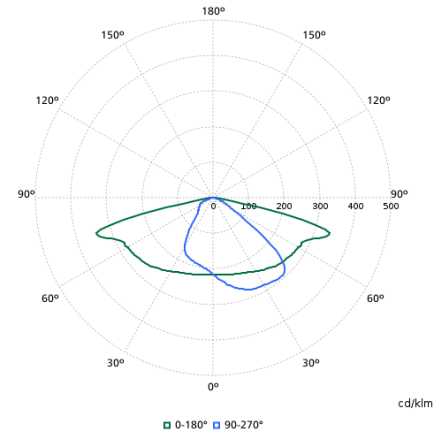
# Polar normal diagrams



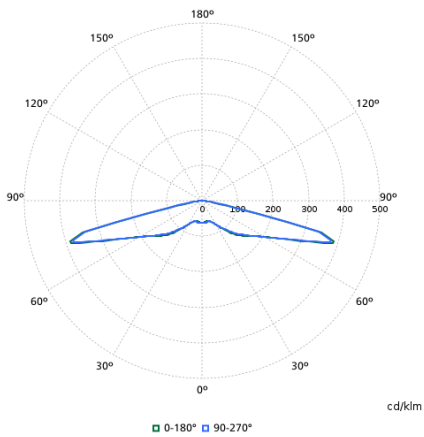
BSP672I - 912300060506



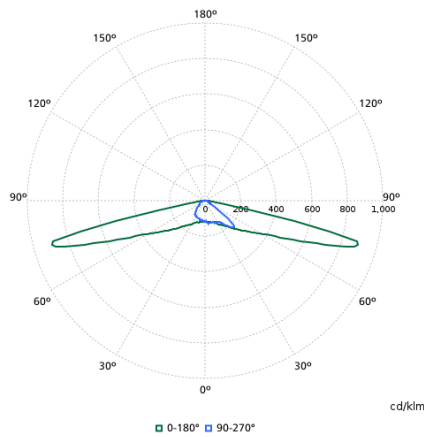
BSP672I - 912300060507



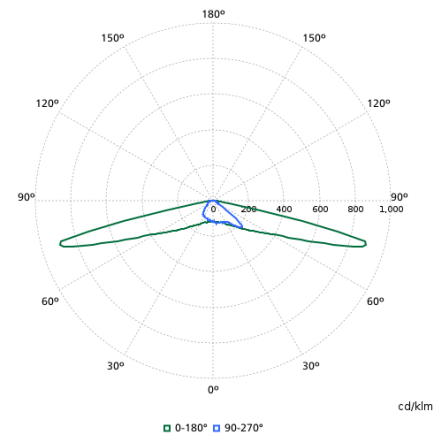
BSP672I - 912300060514



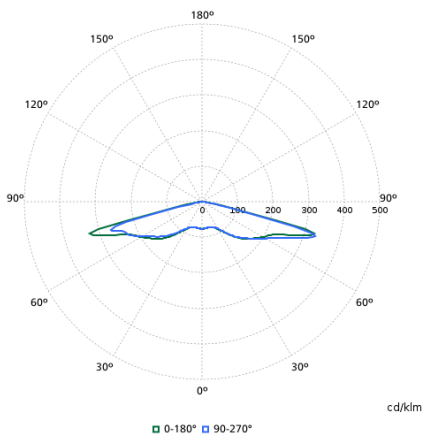
BSP672I - 912300060508



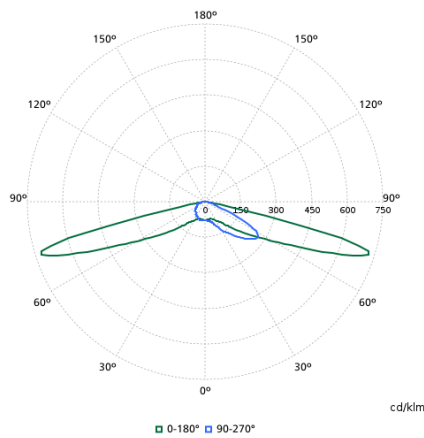
BSP672I - 912300060511



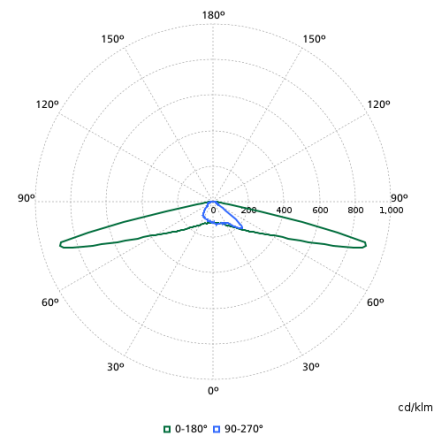
BSP672I - 912300060513



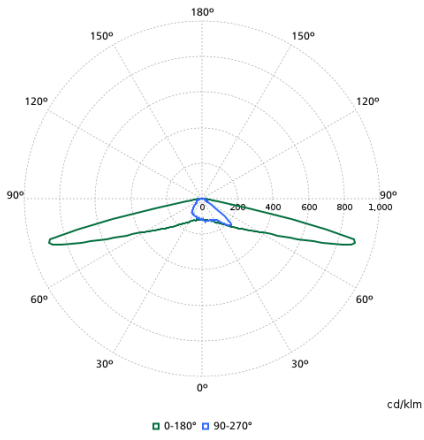
BSP672I - 912300060516



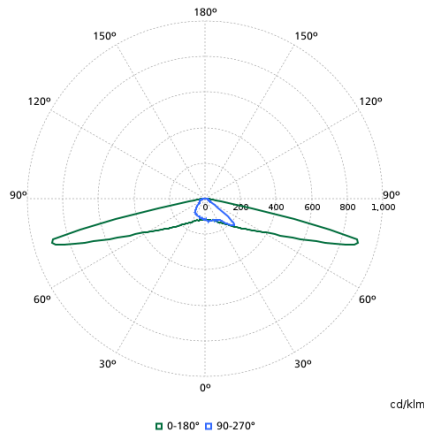
BSP672I - 912300060517



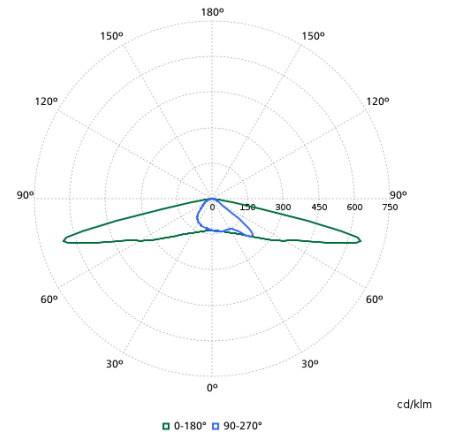
BSP672I - 912300060509



BSP672I - 912300060512



BSP672I - 912300060510



BSP672I - 912300060515