



CitySwan LED Gen3: distinctive and elegant

The beautiful CitySwan LED Gen3 luminaire was designed by Danish architects Bjarne Schläger and Morten Weeke Borup. The simple shape is designed around an ellipse. With minimal materials, clean lines and a white opal 'lampshade', CitySwan LED Gen3 offers discreet, yet visible, presence in any city environment. At night, patented glowing light technology highlights the design of the luminaire and illuminates streets and spaces with soft, functional light that is completely at peace with its surroundings. CitySwan LED Gen3 can also be used to create colorful light moods to emphasize local identity or give urban spaces an innovative setting. This distinctive and elegant Urban Styling solution has a choice of mounting options including pole or suspended. It is also available as a wall-mounted luminaire and a bollard. The third generation of CitySwan LED integrates our latest round LED board for best-in-class performance and a wide range of color temperatures. It can also be configured with the System Ready (SR) driver, and one or two Zhaga-D4i (ZD4i) SR sockets. This makes

it possible to connect the luminaire via our Interact proposition and add sensors using the bottom socket. The accessibility of CitySwan LED Gen3 has also been improved for even easier maintenance. Furthermore, every CitySwan LED Gen3 BPS639 luminaire is uniquely identifiable, thanks to the Signify Service tag app. By simply scanning a QR code, placed inside the door of the mast or directly on the luminaire, you can instantly access the configuration of the luminaire. This makes maintenance and programming operations faster and easier, and enables you to create a digital library of lighting assets and spare parts.

Benefits

- Award-winning design with a unique aesthetic and perfect LED integration
- Patented glowing lighting technology for color-based guidance or communication
- One integrated concept for luminaires, brackets, and poles
- Future-ready with Zhaga-D4i SR sockets to connect with Interact controls and sensors
- Service tag for easy installation and maintenance

Applications

- Downtown, city center streets, roundabouts
- Residential streets, minor roads, car parks
- Pedestrian places, cycle paths and parks

Versions



CitySwan LED gen3 top-side entry



CitySwan LED gen3 post-top mounting

Features

- Choice of 2 designs and many mounting options: side entry, post-top, catenary, or central fixing
- LEDGINE inside, state-of-the-art, future-proof LED technology
- Choice of color temperatures and color rendering for different ambiances: 2200K, 2700K, 3000K and 4000K
- Efficacy up to 156 lm/W
- Marine salt protection
- 5-year standard warranty (option to extend up to 10 years)



CitySwan LED gen3 side entry

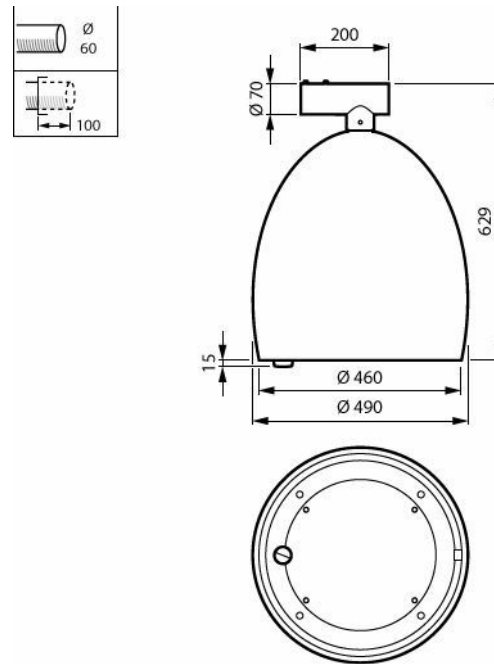
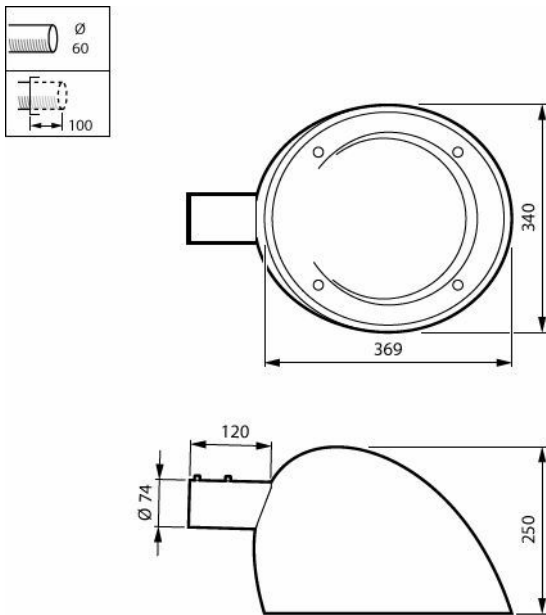


CitySwan LED gen3 large top mounted



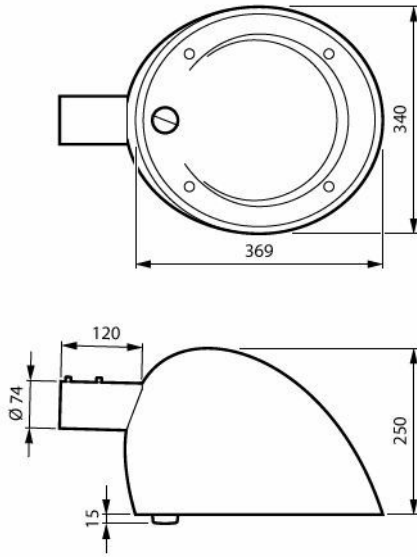
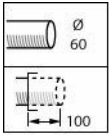
CitySwan LED gen3 side entry with bottom Zhaga socket

Dimensional drawing

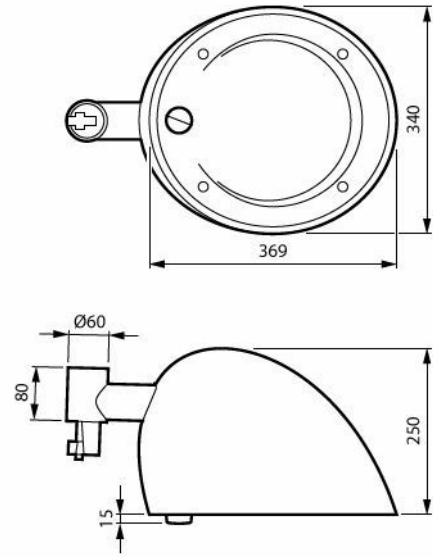


CitySwan LED gen3 - LED module 4000 lm - 830 warm white - Safety class II - Metronomis distribution symmetrical - Flat glass - Opal - Cable 10 m without plug

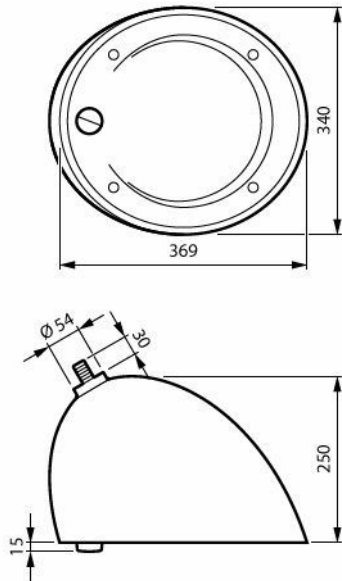
CitySwan LED gen3 - LED module 7000 lm - 830 warm white - Safety class II - Metronomis distribution medium - Flat glass - Opal - Cable 10 m without plug



CitySwan LED gen3 - LED module 4000 lm - 830 warm white - Safety class II - Metronomis distribution symmetrical - Flat glass - Opal - Cable 10 m without plug



CitySwan LED gen3 - LED module 4000 lm - 830 warm white - Safety class II - Metronomis distribution medium - Flat glass - Opal - Cable 10 m without plug



CitySwan LED gen3 - LED module 4000 lm - 830 warm white - Safety class II - Distribution wet road (DK) - Flat glass - Opal - Cable 10 m without plug

Product details



CitySwan with bottom Zhaga socket



CitySwan with diffuse cover and bottom Zhaga socket



Interact hidden within CitySwan Canopy

General Information

| | |
|--------------------------|--------|
| Light source replaceable | Yes |
| Number of gear units | 1 unit |
| Driver included | Yes |
| Service tag | Yes |

Light Technical

| | |
|------------------------------------|----------------|
| Upward light output ratio | 0 |
| Correlated Color Temperature (Nom) | 3000 K |
| Color rendering index (CRI) | 80 |
| Light source color | 830 warm white |
| Luminaire light beam spread | - |

Operating and Electrical

| | |
|--|---|
| Surge Protection (Common/Differential) | Surge protection level until 6 kV differential mode and 10 kV common mode |
|--|---|

Controls and Dimming

| | |
|-------------------|-----|
| Maximum dim level | 10% |
|-------------------|-----|

Mechanical and Housing

| | |
|--------------------------------|--|
| Housing Color | Opal |
| Ingress protection code | IP66 [Dust penetration-protected, jet-proof] |
| Mech. impact protection code | IK08 [5 J vandal-protected] |
| Standard tilt angle posttop | 0° |
| Standard tilt angle side entry | 0° |
| Optical cover type | Flat glass |

Approval and Application

| | |
|-------------------|-----|
| Flammability mark | - |
| CE mark | Yes |

General Information

| Order Code | Full Product Name | Lamp family code |
|--------------|--|------------------|
| 919008636282 | BWS639 LED40/830 DK GW CLOSRTB SDM10E 10 | LED40 |
| 919008635816 | BPS639 LED40/830 II MDM GW CLO SRTB C10K | LED40 |
| 919008635819 | BRS639 LED40/830 II MDS GW CLO C10K | LED40 |
| 919008636281 | BDS639 LED70/830 II MDM GW CLO SRTB C10K | LED70 |
| 919008635818 | BRS639 LED40/830 II MDS GW CLO SRTB C10K | LED40 |

Light Technical

| Order Code | Full Product Name | Luminous Flux | Optic type outdoor |
|--------------|--|---------------|-------------------------------------|
| 919008636282 | BWS639 LED40/830 DK GW CLOSRTB SDM10E 10 | 3,804 lm | Distribution wet road (DK) |
| 919008635816 | BPS639 LED40/830 II MDM GW CLO SRTB C10K | 3,804 lm | Metronomis distribution medium |
| 919008635819 | BRS639 LED40/830 II MDS GW CLO C10K | 3,804 lm | Metronomis distribution symmetrical |
| 919008636281 | BDS639 LED70/830 II MDM GW CLO SRTB C10K | 6,679 lm | Metronomis distribution medium |
| 919008635818 | BRS639 LED40/830 II MDS GW CLO SRTB C10K | 3,804 lm | Metronomis distribution symmetrical |

Operating and Electrical

| Order Code | Full Product Name | Power Consumption |
|--------------|--|-------------------|
| 919008636282 | BWS639 LED40/830 DK GW CLOSRTB SDM10E 10 | 31.5 W |
| 919008635816 | BPS639 LED40/830 II MDM GW CLO SRTB C10K | 31.5 W |
| 919008635819 | BRS639 LED40/830 II MDS GW CLO C10K | 33 W |
| 919008636281 | BDS639 LED70/830 II MDM GW CLO SRTB C10K | 52 W |
| 919008635818 | BRS639 LED40/830 II MDS GW CLO SRTB C10K | 31.5 W |

Controls and Dimming

| Order Code | Full Product Name | Dimmable |
|--------------|--|----------|
| 919008636282 | BWS639 LED40/830 DK GW CLOSRTB SDM10E 10 | Yes |
| 919008635816 | BPS639 LED40/830 II MDM GW CLO SRTB C10K | Yes |
| 919008635819 | BRS639 LED40/830 II MDS GW CLO C10K | No |
| 919008636281 | BDS639 LED70/830 II MDM GW CLO SRTB C10K | Yes |
| 919008635818 | BRS639 LED40/830 II MDS GW CLO SRTB C10K | Yes |

Product Data

| Order Code | Full Product Name | Product family code |
|--------------|--|---------------------|
| 919008636282 | BWS639 LED40/830 DK GW CLOSRTB SDM10E 10 | BWS639 |
| 919008635816 | BPS639 LED40/830 II MDM GW CLO SRTB C10K | BPS639 |
| 919008635819 | BRS639 LED40/830 II MDS GW CLO C10K | BRS639 |
| 919008636281 | BDS639 LED70/830 II MDM GW CLO SRTB C10K | BDS639 |
| 919008635818 | BRS639 LED40/830 II MDS GW CLO SRTB C10K | BRS639 |