



UrbanFlex: uniform design and quality of light for every urban area

Cities want to be attractive, welcoming, and safe places where residents thrive, businesses prosper, and people love to visit. It's the reason we designed UrbanFlex - a flexible street lighting solution for all types of urban applications. UrbanFlex is designed for customers looking for ways to achieve uniformity in design and quality of light with elegant, energy efficient and sustainable products. The UrbanFlex signature style is modern and flawless to give your cityscape a visually coherent, elegant and distinctive identity. Available in two popular sizes, it also comes with a range of mountings and dedicated brackets and poles. And because we're conscious about the impact of light on the environment and biodiversity, we have also equipped UrbanFlex with our dedicated light recipe to preserve dark skies. Thanks to the built in LEDGINE-O platform, and the wide range of application-tailored optics, UrbanFlex delivers best-in-class performance in a broad range of city lighting applications. By being System Ready, this luminaire offers connectivity and dimming options, while it can be paired with lighting management systems like Interact, and any existing and upcoming sensors innovations. In addition, every UrbanFlex luminaire is uniquely identifiable, thanks to the Signify Service tag app, making maintenance and programming operations faster and easier, and enabling you to create a digital library of lighting assets and spare parts.

Benefits

- Coherent and flexible solution for all urban applications
- Future-ready thanks to the System Ready (SR) Zhaga socket
- Dedicated light recipes to preserve dark skies, provide optimized ecosystem for bats and reduce light pollution
- Service tag for easy installation and maintenance

Applications

- Road and Street
- Parks and Plazas
- Residential
- Main urban roads and streets, side and residential roads and streets
- City centers and historical areas
- Cycle and pedestrian paths, squares, parks and playgrounds

Versions

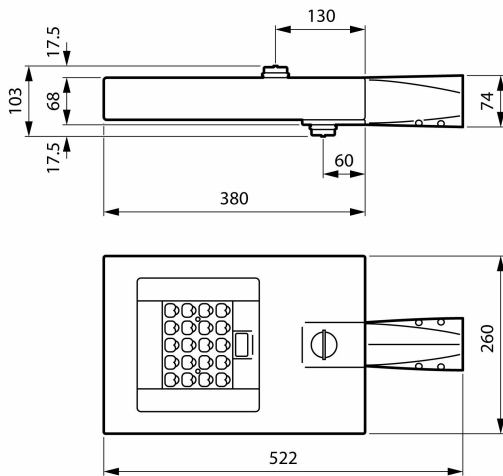


UrbanFlex mini with side-entry mounting

Features

- Distinguished, flawless, modern design
- Broad range of elegant, dedicated or standard complete sets (includes rectangular poles, Lyre and Accent brackets, post-top and side-entry versions)
- Efficacy up to 157 lm/W, L-Tune to optimize flux level
- Designed for nature and night skies: ClearField and ClearStar light recipes with DarkSky-approved warm CCTs (2200K / 2700K / 3000K)
- Large choice of beams, internal louvers to minimize glare
- Ready to be connected to the Interact lighting management software or paired with third party lighting management systems and sensors

Dimensional drawing



UrbanFlex micro - LED Module 2000 lm - LED - 727 warm white - Power supply unit with DALI interface - 220-240 V - 50 to 60 Hz - Safety class II - Distribution symmetrical DS51 - Flat glass - Dark gray - Luminaire surge protection level until 6 kV differential mode and 6 kV common mode - - - Side-entry for diameter 60 mm

General Information

Lamp family code	LED20 [LED Module 2000 lm]
Light source replaceable	Yes
Number of gear units	1 unit
Driver included	Yes
Service tag	Yes

Light Technical

Upward light output ratio	0.01
Luminous Flux	1,660 lm
Correlated Color Temperature (Nom)	2700 K
Color rendering index (CRI)	70
Light source color	727 warm white
Luminaire light beam spread	-
Optic type outdoor	Distribution symmetrical DS51

Operating and Electrical

Power Consumption	15.2 W
Surge Protection (Common/Differential)	Surge protection level until 6 kV differential mode and 6 kV common mode

Controls and Dimming

Dimmable Yes

Mechanical and Housing

Housing Color Gray

Ingress protection code IP66 [Dust penetration-protected, jet-proof]

Mech. impact protection code IK09 [10 J]

Standard tilt angle posttop -

Standard tilt angle side entry -

Optical cover type Flat glass

Approval and Application

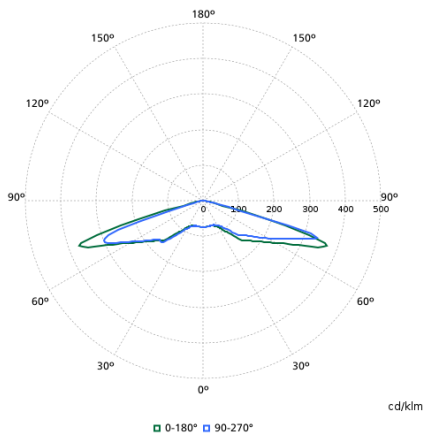
Flammability mark -

CE mark Yes

Product Data

Product family code BRP729 [URBANFLEX MICRO]

Polar normal diagrams



BGP729I - 912300060115