



UrbanFlex: uniform design and quality of light for every urban area

Cities want to be attractive, welcoming and safe places where residents thrive, businesses prosper and people love to visit. It's the reason we designed UrbanFlex – a flexible street lighting solution for all types of urban applications. UrbanFlex is designed for customers looking for ways to achieve uniformity in design and quality of light with elegant, energy efficient and sustainable products. The UrbanFlex signature style is modern and flawless to give your cityscape a visually coherent, elegant and distinctive identity. Available in two popular sizes, it also comes with a range of mountings and dedicated brackets and poles. And because we're conscious about the impact of light on the environment and biodiversity, we have also equipped UrbanFlex with our dedicated light recipe to preserve dark skies. Thanks to the built-in LEDGINE-O platform, and the wide range of application-tailored optics, the UrbanFlex delivers best-in-class performance in a broad range of city lighting applications. By being system-ready, this luminaire offers connectivity and dimming options, while it can be paired with lighting management systems like Interact, and any existing and upcoming sensors innovations. In addition, every UrbanFlex luminaire is uniquely identifiable, thanks to the Signify Service tag app, making maintenance and programming operations faster and easier, and enabling you to create a digital library of lighting assets and spare parts.

Benefits

- A coherent and flexible solution for all urban applications
- Future-ready thanks to the System Ready (SR) Zhaga socket
- Dedicated light recipes to preserve dark skies, provide optimised ecosystem for bats and reduce light pollution
- Service tag for easy installation and maintenance

Applications

- Road and Street
- Parks and squares
- Residential
- Main urban roads and streets, side and residential roads and streets
- City centres and historical areas
- Cycle and pedestrian paths, squares, parks and playgrounds

Versions

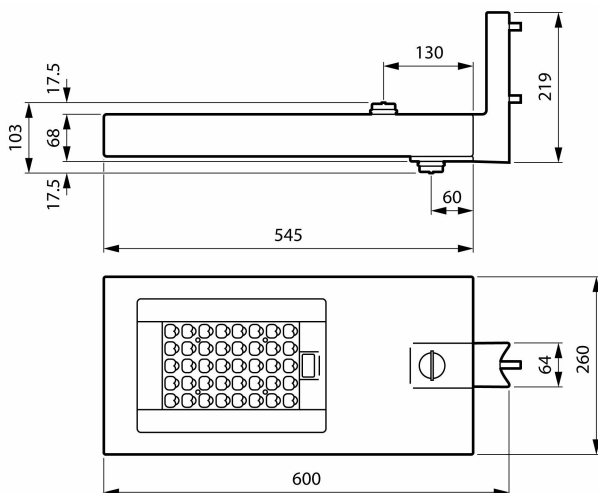


Copenhagen City Comfort large with suspended fixation

Features

- Distinguished, flawless, modern design
- A broad range of elegant, dedicated or standard complete sets (includes rectangular poles, Lyre and Accent brackets, post-top and side-entry versions)
- Efficacy up to 157 lm/W, L-Tune to optimise flux level
- Designed for nature and night skies: ClearField and ClearStar light recipes with DarkSky-approved warm CCTs (2200K / 2700K / 3000K)
- Large choice of beams, internal louvres to minimise glare
- Ready to be connected to the Interact lighting-management software or paired with third-party lighting management systems and sensors

Dimensional drawing



BVP730 LED60-4S/830 II PSD D9 DM50 FG DG

General Information

Lamp family code	LED60 [LED module 6000 lm]
Light source replaceable	Yes
Number of gear units	Unit
Driver included	Yes
Service Tag	Yes

Light Technical

Upwards light output ratio	0.01
Luminous Flux	5,220 lm
Correlated Colour Temperature (Nom)	3000 K
Colour rendering index (CRI)	80
Light source colour	830 warm white
Luminaire light beam spread	-
Optic type outdoor	Distribution medium 50

Operating and Electrical

Power Consumption	46 W
Surge Protection (Common/Differential)	Surge protection level until 6 kV differential mode and 6 kV common mode

Controls and Dimming

Dimmable	Yes
----------	-----

Mechanical and Housing

Housing Colour	Grey
Ingress protection code	IP66 [Dust penetration-protected, jet-proof]
Mech. impact protection code	IK09 [10 J]
Standard tilt angle post-top	-
Standard tilt angle side entry	-
Optical cover type	Flat glass

Approval and Application

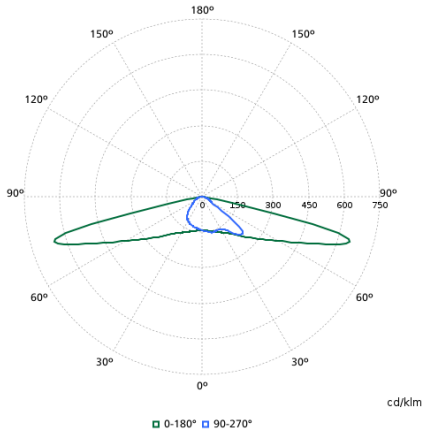
Flammability mark	-
CE mark	Yes

Product Data

Product family code

BVP730 [URBANFLEX SMALL]

Polar normal diagrams



BGP730I - 912300060124