



UrbanFlex: uniform design and quality of light for every urban area

Cities want to be attractive, welcoming and safe places where residents thrive, businesses prosper and people love to visit. It's the reason we designed UrbanFlex – a flexible street lighting solution for all types of urban applications. UrbanFlex is designed for customers looking for ways to achieve uniformity in design and quality of light with elegant, energy efficient and sustainable products. The UrbanFlex signature style is modern and flawless to give your cityscape a visually coherent, elegant and distinctive identity. Available in two popular sizes, it also comes with a range of mountings and dedicated brackets and poles. And because we're conscious about the impact of light on the environment and biodiversity, we have also equipped UrbanFlex with our dedicated light recipe to preserve dark skies. Thanks to the built-in LEDGINE-O platform, and the wide range of application-tailored optics, the UrbanFlex delivers best-in-class performance in a broad range of city lighting applications. By being system-ready, this luminaire offers connectivity and dimming options, while it can be paired with lighting management systems like Interact, and any existing and upcoming sensors innovations. In addition, every UrbanFlex luminaire is uniquely identifiable, thanks to the Signify Service tag app, making maintenance and programming operations faster and easier, and enabling you to create a digital library of lighting assets and spare parts.

Benefits

- A coherent and flexible solution for all urban applications
- Future-ready thanks to the System Ready (SR) Zhaga socket
- Dedicated light recipes to preserve dark skies, provide optimised ecosystem for bats and reduce light pollution
- Service tag for easy installation and maintenance

Applications

- Road and Street
- Parks and squares
- Residential
- Main urban roads and streets, side and residential roads and streets
- City centres and historical areas
- Cycle and pedestrian paths, squares, parks and playgrounds

Versions

Features

- Distinguished, flawless, modern design
- A broad range of elegant, dedicated or standard complete sets (includes rectangular poles, Lyre and Accent brackets, post-top and side-entry versions)
- Efficacy up to 157 lm/W, L-Tune to optimise flux level
- Designed for nature and night skies: ClearField and ClearStar light recipes with DarkSky-approved warm CCTs (2200K / 2700K / 3000K)
- Large choice of beams, internal louvres to minimise glare
- Ready to be connected to the Interact lighting-management software or paired with third-party lighting management systems and sensors



UrbanFlex mini with Accent bracket



UrbanFlex mini direct mounting



UrbanFlex small BPP730 with posttop spigot



UrbanFlex small BGP730 for rectangular pole

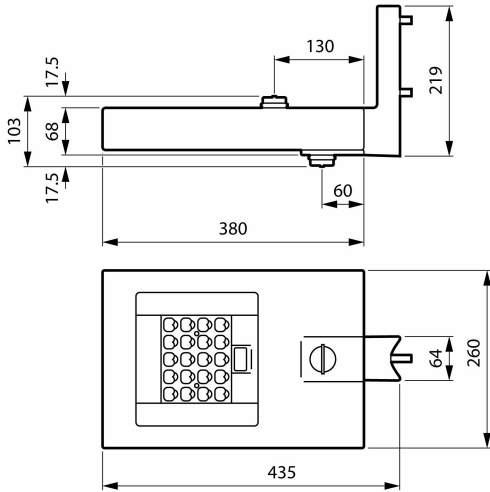


UrbanFlex mini with side-entry mounting

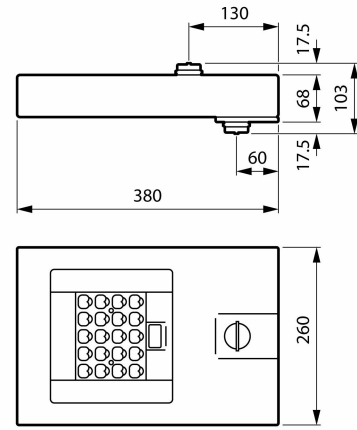


UrbanFlex small BVP730 with Accent bracket

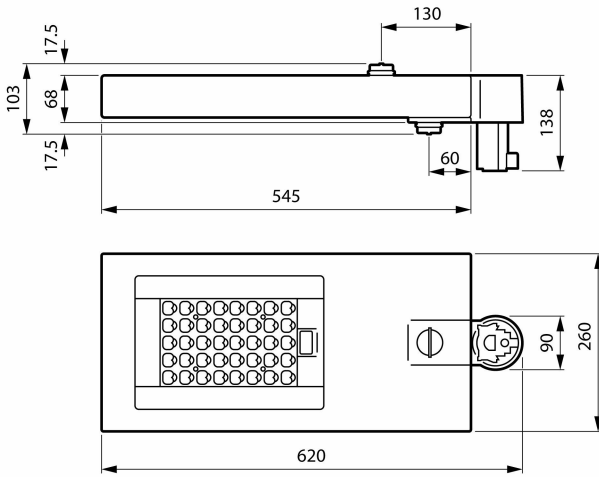
Dimensional drawing



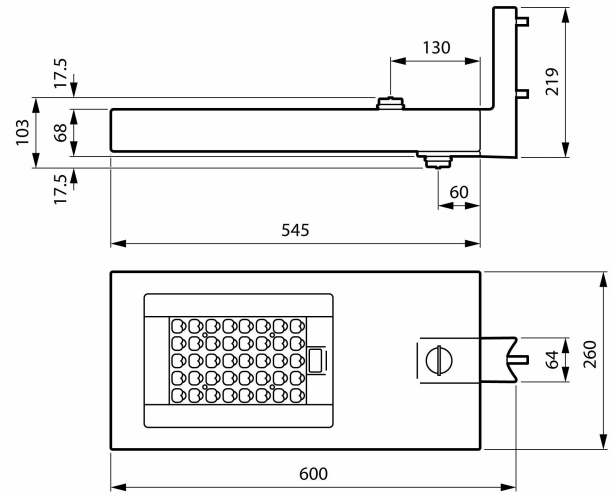
BVP729 LED20-4S/830 II PSD D9 DM50 FG DG



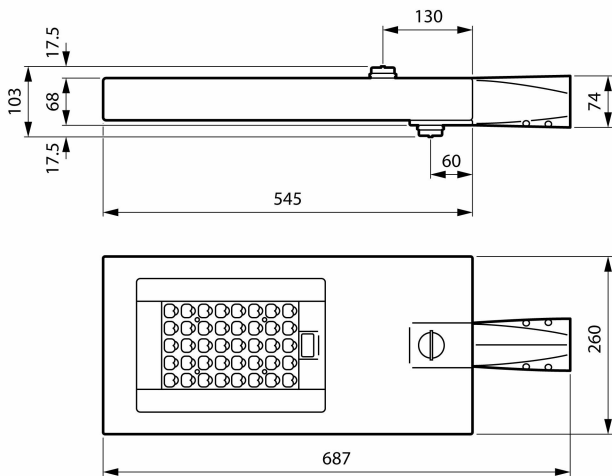
BGP729 LED30-4S/730 II PSD D9 DM50 FG SR



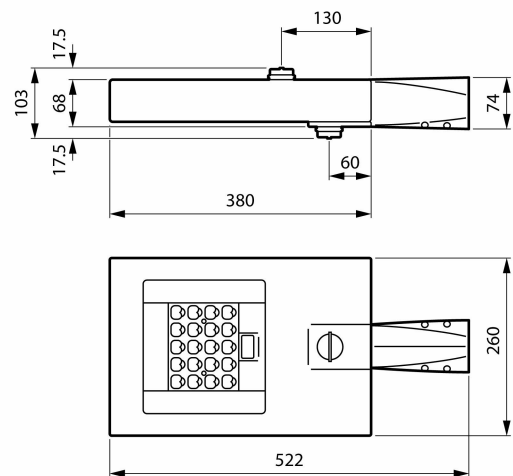
BPP730 LED100-4S/722 II PSD D9 DM11 FG S



BVP730 LED60-4S/740 II PSD D9 DM50 FG DG



BRP730 LED100-4S/727 II PSD D9 DS51 FG S



BRP729 LED20-4S/727 II PSD D9 DS51 FG DG

General Information

Light source replaceable	Yes
Number of gear units	Unit
Driver included	Yes
Service Tag	Yes

Light Technical

Upwards light output ratio	0.01
Luminaire light beam spread	-

Controls and Dimming

Dimmable	Yes
----------	-----

Mechanical and Housing

Housing Colour	Grey
Ingress protection code	IP66 [Dust penetration-protected, jet-proof]
Mech. impact protection code	IK09 [10 J]
Standard tilt angle post-top	-
Standard tilt angle side entry	-
Optical cover type	Flat glass

Approval and Application

Flammability mark	-
CE mark	Yes

General Information

Order Code	Full Product Name	Lamp family code
912300060117	BVP729 LED20-4S/830 II PSD D9 DM50 FG DG	LED20
912300060114	BGP729 LED30-4S/730 II PSD D9 DM50 FG SR	LED30
912300060121	BPP730 LED100-4S/722 II PSD D9 DM11 FG S	LED100
912300060120	BRP730 LED100-4S/727 II PSD D9 DS51 FG S	LED100
912300060115	BRP729 LED20-4S/727 II PSD D9 DS51 FG DG	LED20
912300060123	BVP730 LED60-4S/740 II PSD D9 DM50 FG DG	LED60

Light Technical

Order Code	Full Product Name	Luminous Flux	Correlated Colour Temperature (Nom)	Colour rendering index (CRI)	Light source colour	Optic type outdoor
912300060117	BVP729 LED20-4S/830 II PSD D9 DM50 FG DG	1,740 lm	3000 K	80	830 warm white	Distribution medium 50
912300060114	BGP729 LED30-4S/730 II PSD D9 DM50 FG SR	2,640 lm	3000 K	70	730 warm white	Distribution medium 50
912300060121	BPP730 LED100-4S/722 II PSD D9 DM11 FG S	8,800 lm	2200 K	70	722 warm white	Distribution medium 11
912300060120	BRP730 LED100-4S/727 II PSD D9 DS51 FG S	8,300 lm	2700 K	70	727 warm white	Distribution symmetrical DS51
912300060115	BRP729 LED20-4S/727 II PSD D9 DS51 FG DG	1,660 lm	2700 K	70	727 warm white	Distribution symmetrical DS51
912300060123	BVP730 LED60-4S/740 II PSD D9 DM50 FG DG	5,280 lm	4000 K	70	740 neutral white	Distribution medium 50

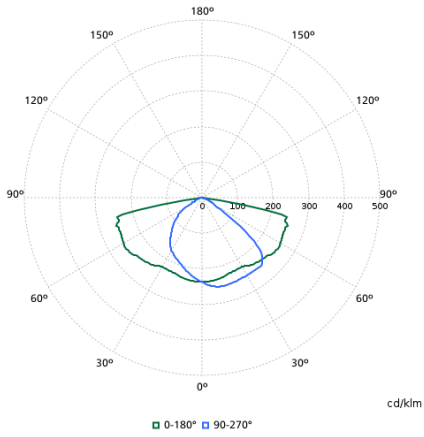
Operating and Electrical

Order Code	Full Product Name	Power Consumption	Surge Protection (Common/Differential)
912300060117	BVP729 LED20-4S/830 II PSD D9 DM50 FG DG	16.4 W	Surge protection level until 6 kV differential mode and 6 kV common mode
912300060114	BGP729 LED30-4S/730 II PSD D9 DM50 FG SR	19.6 W	Surge protection level until 10 kV differential mode and 10 kV common mode
912300060121	BPP730 LED100-4S/722 II PSD D9 DM11 FG S	85 W	Surge protection level until 10 kV differential mode and 10 kV common mode
912300060120	BRP730 LED100-4S/727 II PSD D9 DS51 FG S	72 W	Surge protection level until 10 kV differential mode and 10 kV common mode
912300060115	BRP729 LED20-4S/727 II PSD D9 DS51 FG DG	15.2 W	Surge protection level until 6 kV differential mode and 6 kV common mode
912300060123	BVP730 LED60-4S/740 II PSD D9 DM50 FG DG	36 W	Surge protection level until 6 kV differential mode and 6 kV common mode

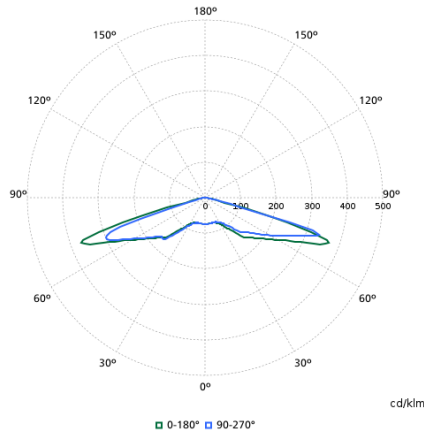
Product Data

Order Code	Full Product Name	Product family code
912300060117	BVP729 LED20-4S/830 II PSD D9 DM50 FG DG	BVP729
912300060114	BGP729 LED30-4S/730 II PSD D9 DM50 FG SR	BGP729
912300060121	BPP730 LED100-4S/722 II PSD D9 DM11 FG S	BPP730
912300060120	BRP730 LED100-4S/727 II PSD D9 DS51 FG S	BRP730
912300060115	BRP729 LED20-4S/727 II PSD D9 DS51 FG DG	BRP729
912300060123	BVP730 LED60-4S/740 II PSD D9 DM50 FG DG	BVP730

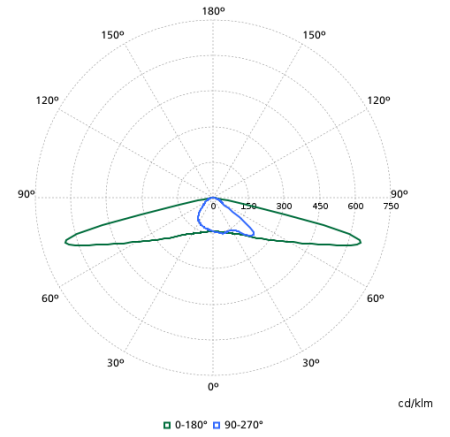
Polar normal diagrams



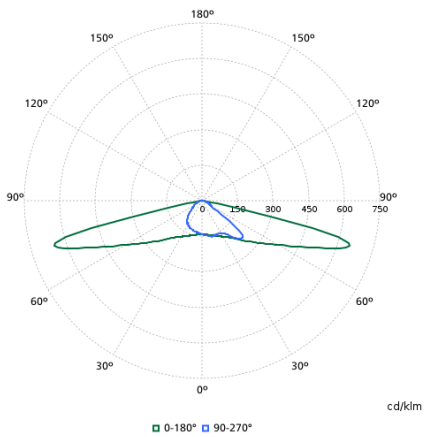
BGP730I - 912300060121



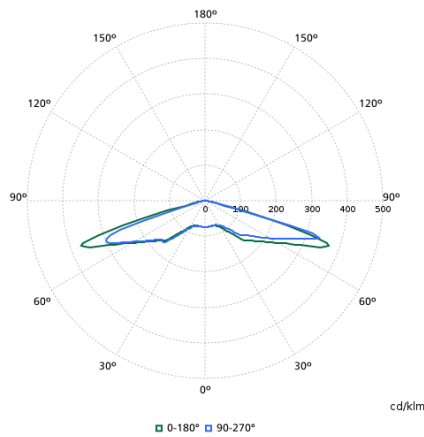
BGP730I - 912300060120



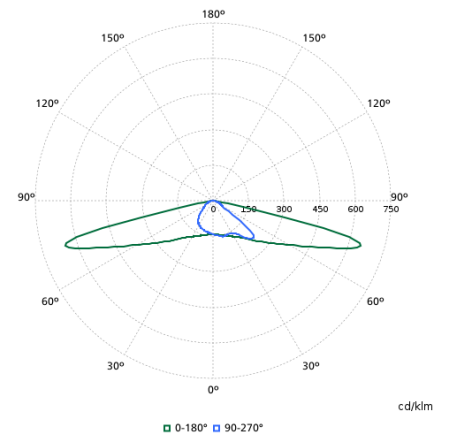
BGP730I - 912300060123



BGP729I - 912300060114



BGP729I - 912300060115



BGP729I - 912300060117