



UrbanFlex: uniform design and quality of light for every urban area

Cities want to be attractive, welcoming, and safe places where residents thrive, businesses prosper, and people love to visit. It's the reason we designed UrbanFlex - a flexible street lighting solution for all types of urban applications. UrbanFlex is designed for customers looking for ways to achieve uniformity in design and quality of light with elegant, energy efficient and sustainable products. The UrbanFlex signature style is modern and flawless to give your cityscape a visually coherent, elegant and distinctive identity. Available in two popular sizes, it also comes with a range of mountings and dedicated brackets and poles. And because we're conscious about the impact of light on the environment and biodiversity, we have also equipped UrbanFlex with our dedicated light recipe to preserve dark skies. Thanks to the built in LEDGINE-O platform, and the wide range of application-tailored optics, UrbanFlex delivers best-in-class performance in a broad range of city lighting applications. By being System Ready, this luminaire offers connectivity and dimming options, while it can be paired with lighting management systems like Interact, and any existing and upcoming sensors innovations. In addition, every UrbanFlex luminaire is uniquely identifiable, thanks to the Signify Service tag app, making maintenance and programming operations faster and easier, and enabling you to create a digital library of lighting assets and spare parts.

Benefits

- Coherent and flexible solution for all urban applications
- Future-ready thanks to the System Ready (SR) Zhaga socket
- Dedicated light recipes to preserve dark skies, provide optimized ecosystem for bats and reduce light pollution
- Service tag for easy installation and maintenance

Applications

- Road and Street
- Parks and Plazas
- Residential
- Main urban roads and streets, side and residential roads and streets
- City centers and historical areas
- Cycle and pedestrian paths, squares, parks and playgrounds

Versions



UrbanFlex small BRP730 with side entry spigot



UrbanFlex mini with Accent bracket



UrbanFlex mini direct mounting



UrbanFlex small BPP730 with posttop spigot



UrbanFlex small BGP730 for rectangular pole



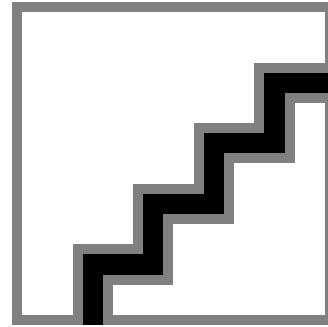
UrbanFlex mini post-top

Features

- Distinguished, flawless, modern design
- Broad range of elegant, dedicated or standard complete sets (includes rectangular poles, Lyre and Accent brackets, post-top and side-entry versions)
- Efficacy up to 157 lm/W, L-Tune to optimize flux level
- Designed for nature and night skies: ClearField and ClearStar light recipes with DarkSky-approved warm CCTs (2200K / 2700K / 3000K)
- Large choice of beams, internal louvers to minimize glare
- Ready to be connected to the Interact lighting management software or paired with third party lighting management systems and sensors



UrbanFlex mini with side-entry mounting

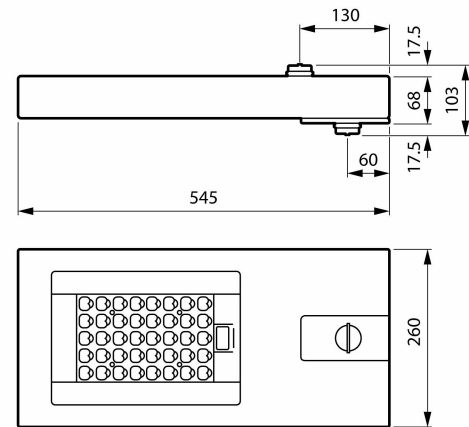
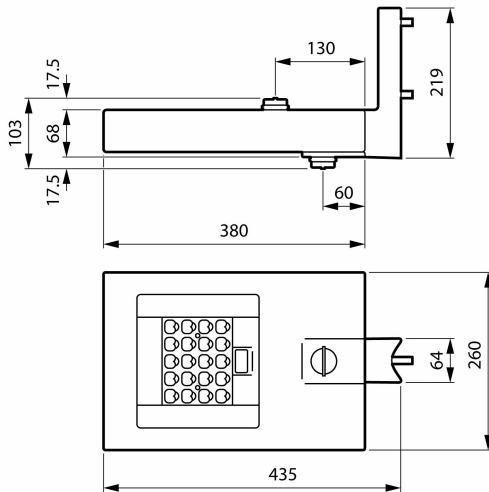


UrbanFlex small BVP730 with Accent bracket



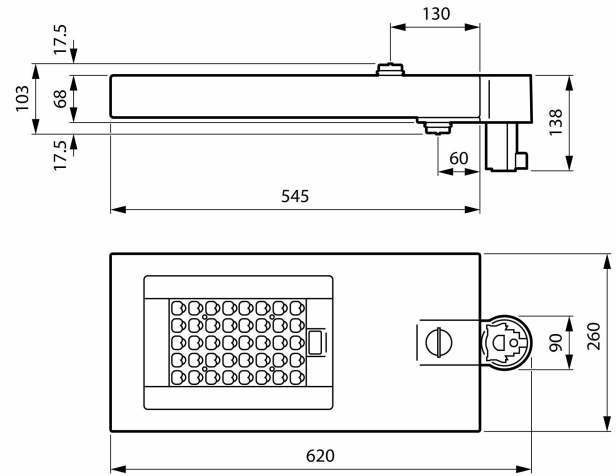
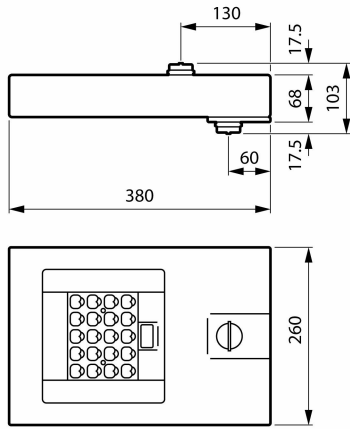
UrbanFlex small BPP732 with Lyre bracket JRP633

Dimensional drawing



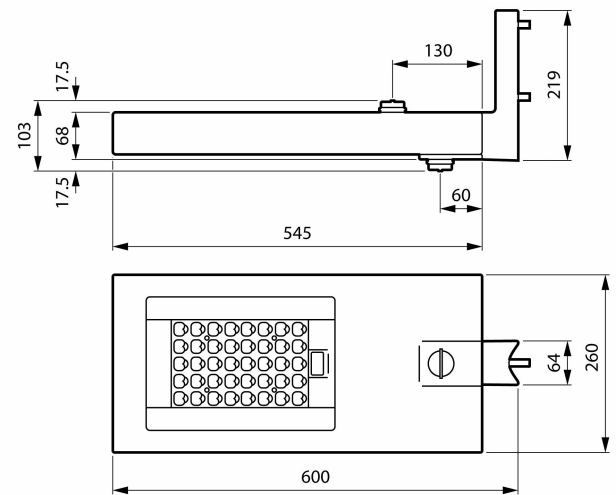
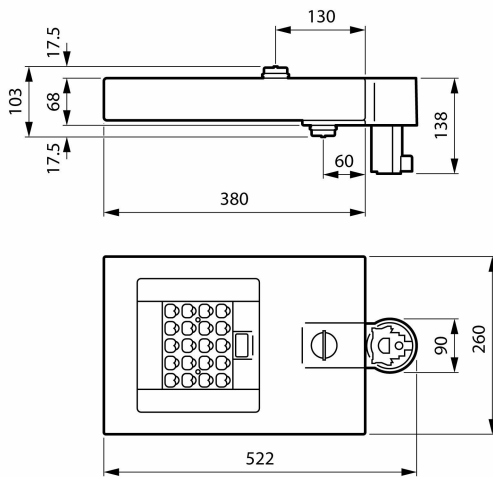
UrbanFlex micro - LED Module 2000 lm - LED - 830 warm white - Power supply unit with DALI interface - 220-240 V - 50 to 60 Hz - Safety class II - Distribution medium 50 - Flat glass - Dark gray - Luminaire surge protection level until 6 kV differential mode and 6 kV common mode - - - Mounting bracket

BPP732 LED60-4S/730 II PSD D9 DM50 FG DG



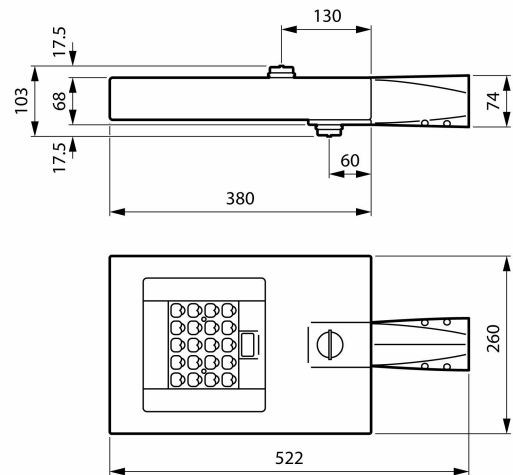
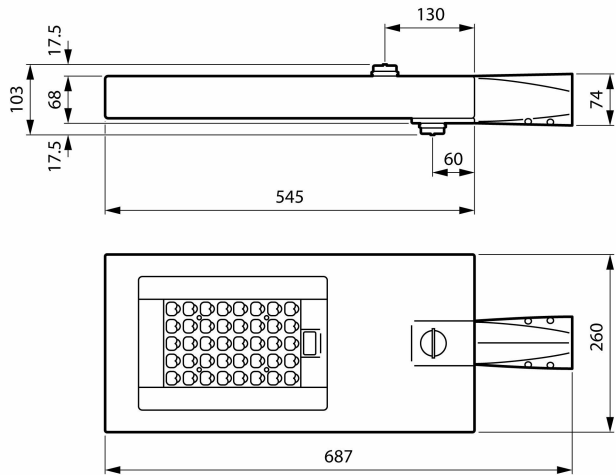
UrbanFlex micro - LED module 3000 lm - LED - 730 warm white - Power supply unit with DALI interface - 220-240 V - 50 to 60 Hz - Safety class II - Distribution medium 50 - Flat glass - Dark gray - Luminaire surge protection level until 10 kV differential mode and 10 kV common mode - - Pole Mounting

UrbanFlex small - LED module 10000 lm - LED - 722 warm white - Power supply unit with DALI interface - 220-240 V - 50 to 60 Hz - Safety class II - Distribution medium 11 - Flat glass - Dark gray - Luminaire surge protection level until 10 kV differential mode and 10 kV common mode - - Post-top for diameter 60 mm



UrbanFlex micro - LED module 3000 lm - LED - 740 neutral white - Power supply unit with DALI interface - 220-240 V - 50 to 60 Hz - Safety class II - Distribution medium 11 - Flat glass - Dark gray - Luminaire surge protection level until 6 kV differential mode and 6 kV common mode - - - Post-top for diameter 60 mm

UrbanFlex small - LED module 6000 lm - LED - 830 warm white - Power supply unit with DALI interface - 220-240 V - 50 to 60 Hz - Safety class II - Distribution medium 50 - Flat glass - Dark gray - Luminaire surge protection level until 6 kV differential mode and 6 kV common mode - - - Mounting bracket



UrbanFlex small - LED module 10000 lm - LED - 727 warm white - Power supply unit with DALI interface - 220-240 V - 50 to 60 Hz - Safety class II - Distribution symmetrical DS51 - Flat glass - Dark gray - Luminaire surge protection level until 10 kV differential mode and 10 kV common mode - - - Side-entry for diameter 60 mm

UrbanFlex micro - LED Module 2000 lm - LED - 727 warm white - Power supply unit with DALI interface - 220-240 V - 50 to 60 Hz - Safety class II - Distribution symmetrical DS51 - Flat glass - Dark gray - Luminaire surge protection level until 6 kV differential mode and 6 kV common mode - - - Side-entry for diameter 60 mm

General Information

Light source replaceable	Yes
Number of gear units	1 unit
Driver included	Yes
Service tag	Yes

Light Technical

Upward light output ratio	0.01
Luminaire light beam spread	-

Controls and Dimming

Dimmable	Yes
----------	-----

Mechanical and Housing

Housing Color	Gray
Ingress protection code	IP66 [Dust penetration-protected, jet-proof]
Mech. impact protection code	IK09 [10 J]
Standard tilt angle posttop	-
Standard tilt angle side entry	-
Optical cover type	Flat glass

Approval and Application

Flammability mark	-
CE mark	Yes

General Information

Order Code	Full Product Name	Lamp family code
912300060119	BGP730 LED60-4S/730 II PSD D9 DM50 FG DG	LED60
912300060117	BVP729 LED20-4S/830 II PSD D9 DM50 FG DG	LED20
912300060114	BGP729 LED30-4S/730 II PSD D9 DM50 FG SR	LED30
912300060121	BPP730 LED100-4S/722 II PSD D9 DM11 FG S	LED100
912300060120	BRP730 LED100-4S/727 II PSD D9 DS51 FG S	LED100
912300060116	BPP729 LED20-4S/722 II PSD D9 DM11 FG DG	LED20
912300060118	BPP729 LED30-4S/740 II PSD D9 DM11 FG DG	LED30
912300060115	BRP729 LED20-4S/727 II PSD D9 DS51 FG DG	LED20
912300060123	BVP730 LED60-4S/740 II PSD D9 DM50 FG DG	LED60
912300060124	BVP730 LED60-4S/830 II PSD D9 DM50 FG DG	LED60
912300060122	BPP732 LED60-4S/730 II PSD D9 DM50 FG DG	LED60

Light Technical

Order Code	Full Product Name	Luminous Flux	Correlated Color Temperature (Nom)	Color rendering index (CRI)	Light source color	Optic type outdoor
912300060119	BGP730 LED60-4S/730 II PSD D9 DM50 FG DG	5,220 lm	3000 K	70	730 warm white	Distribution medium 50
912300060117	BVP729 LED20-4S/830 II PSD D9 DM50 FG DG	1,740 lm	3000 K	80	830 warm white	Distribution medium 50
912300060114	BGP729 LED30-4S/730 II PSD D9 DM50 FG SR	2,640 lm	3000 K	70	730 warm white	Distribution medium 50
912300060121	BPP730 LED100-4S/722 II PSD D9 DM11 FG S	8,800 lm	2200 K	70	722 warm white	Distribution medium 11
912300060120	BRP730 LED100-4S/727 II PSD D9 DS51 FG S	8,300 lm	2700 K	70	727 warm white	Distribution symmetrical DS51
912300060116	BPP729 LED20-4S/722 II PSD D9 DM11 FG DG	1,760 lm	2200 K	70	722 warm white	Distribution medium 11
912300060118	BPP729 LED30-4S/740 II PSD D9 DM11 FG DG	2,700 lm	4000 K	70	740 neutral white	Distribution medium 11
912300060115	BRP729 LED20-4S/727 II PSD D9 DS51 FG DG	1,660 lm	2700 K	70	727 warm white	Distribution symmetrical DS51
912300060123	BVP730 LED60-4S/740 II PSD D9 DM50 FG DG	5,280 lm	4000 K	70	740 neutral white	Distribution medium 50

Order Code	Full Product Name	Luminous Flux	Correlated Color Temperature (Nom)	Color rendering index (CRI)	Light source color	Optic type outdoor
912300060124	BVP730 LED60-4S/830 II PSD D9 DM50 FG DG	5,220 lm	3000 K	80	830 warm white	Distribution medium 50
912300060122	BPP732 LED60-4S/730 II PSD D9 DM50 FG DG	5,220 lm	3000 K	70	730 warm white	Distribution medium 50

Operating and Electrical

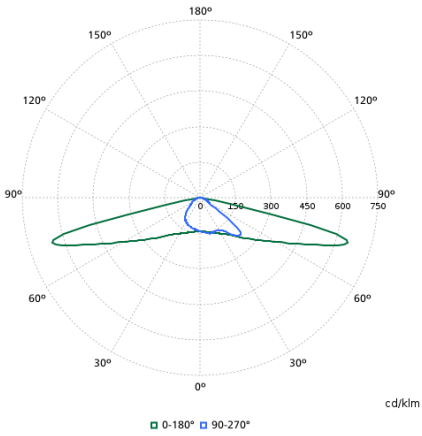
Order Code	Full Product Name	Power Consumption	Surge Protection (Common/Differential)
912300060119	BGP730 LED60-4S/730 II PSD D9 DM50 FG DG	38 W	Surge protection level until 6 kV differential mode and 6 kV common mode
912300060117	BVP729 LED20-4S/830 II PSD D9 DM50 FG DG	16.4 W	Surge protection level until 6 kV differential mode and 6 kV common mode
912300060114	BGP729 LED30-4S/730 II PSD D9 DM50 FG SR	19.6 W	Surge protection level until 10 kV differential mode and 10 kV common mode
912300060121	BPP730 LED100-4S/722 II PSD D9 DM11 FG S	85 W	Surge protection level until 10 kV differential mode and 10 kV common mode
912300060120	BRP730 LED100-4S/727 II PSD D9 DS51 FG S	72 W	Surge protection level until 10 kV differential mode and 10 kV common mode
912300060116	BPP729 LED20-4S/722 II PSD D9 DM11 FG DG	17.6 W	Surge protection level until 6 kV differential mode and 6 kV common mode
912300060118	BPP729 LED30-4S/740 II PSD D9 DM11 FG DG	18.6 W	Surge protection level until 6 kV differential mode and 6 kV common mode
912300060115	BRP729 LED20-4S/727 II PSD D9 DS51 FG DG	15.2 W	Surge protection level until 6 kV differential mode and 6 kV common mode
912300060123	BVP730 LED60-4S/740 II PSD D9 DM50 FG DG	36 W	Surge protection level until 6 kV differential mode and 6 kV common mode
912300060124	BVP730 LED60-4S/830 II PSD D9 DM50 FG DG	46 W	Surge protection level until 6 kV differential mode and 6 kV common mode
912300060122	BPP732 LED60-4S/730 II PSD D9 DM50 FG DG	38 W	Surge protection level until 6 kV differential mode and 6 kV common mode

Product Data

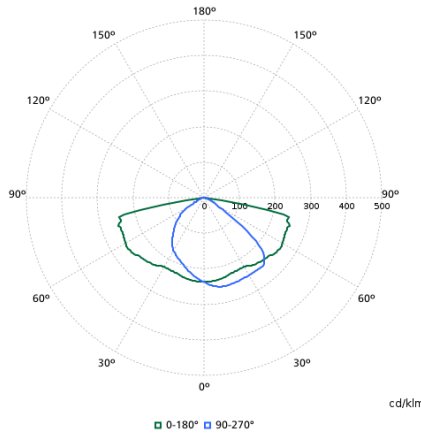
Order Code	Full Product Name	Product family code
912300060119	BGP730 LED60-4S/730 II PSD D9 DM50 FG DG	BGP730
912300060117	BVP729 LED20-4S/830 II PSD D9 DM50 FG DG	BVP729
912300060114	BGP729 LED30-4S/730 II PSD D9 DM50 FG SR	BGP729
912300060121	BPP730 LED100-4S/722 II PSD D9 DM11 FG S	BPP730
912300060120	BRP730 LED100-4S/727 II PSD D9 DS51 FG S	BRP730
912300060116	BPP729 LED20-4S/722 II PSD D9 DM11 FG DG	BPP729
912300060118	BPP729 LED30-4S/740 II PSD D9 DM11 FG DG	BPP729
912300060115	BRP729 LED20-4S/727 II PSD D9 DS51 FG DG	BRP729
912300060123	BVP730 LED60-4S/740 II PSD D9 DM50 FG DG	BVP730

Order Code	Full Product Name	Product family code
912300060124	BVP730 LED60-4S/830 II PSD D9 DM50 FG DG	BVP730
912300060122	BPP732 LED60-4S/730 II PSD D9 DM50 FG DG	BPP732

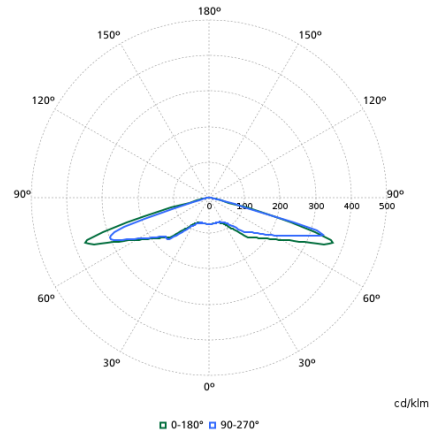
Polar normal diagrams



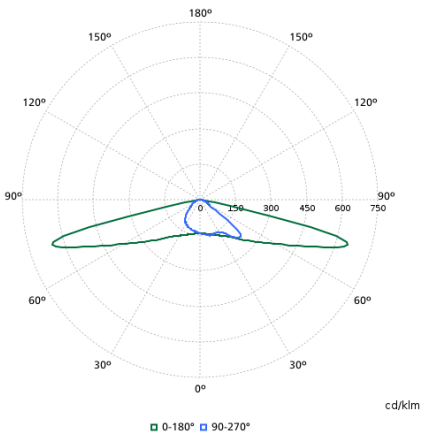
BGP730I - 912300060119



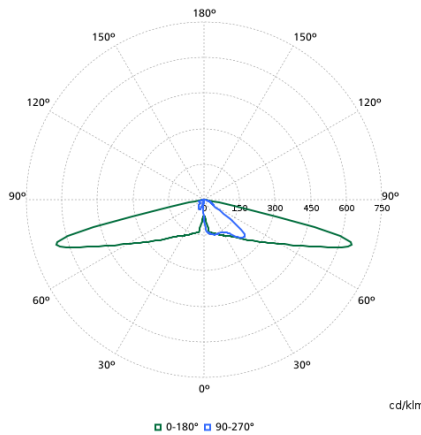
BGP730I - 912300060121



BGP730I - 912300060120



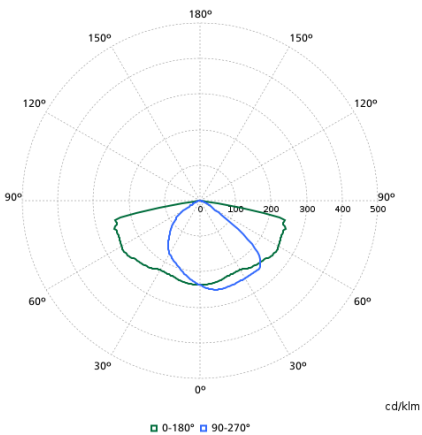
BGP730I - 912300060123



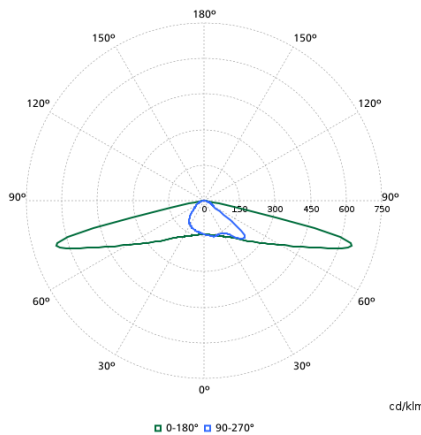
BGP730I - 912300060122



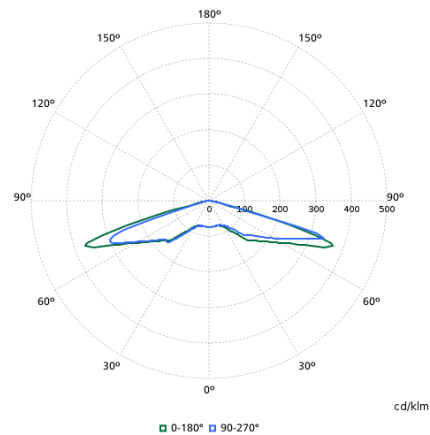
BGP730I - 912300060124



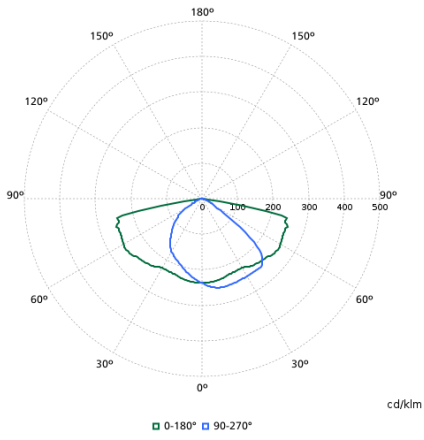
BGP729I - 912300060116



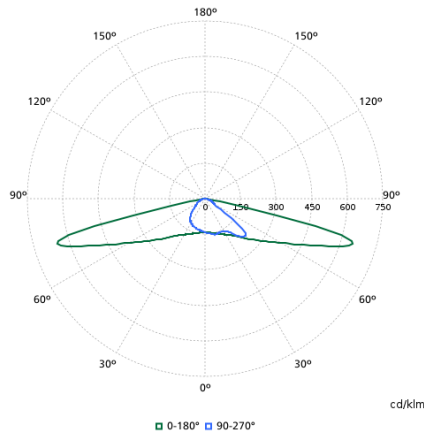
BGP729I - 912300060114



BGP729I - 912300060115



BGP729I - 912300060118



BGP729I - 912300060117