



Luma gen2: The standard in road lighting redefined, with UltraEfficient performance options

Luma gen2

Luma gen2 is the next generation of the Luma LED luminaire family, fully optimised to become your long-term lighting and innovation partner. While keeping the distinctive design characteristics of the first generation, Luma gen2 gives you the benefits of the latest technologies thanks to its future-proof System Ready architecture, use of optimised Ledgine LED and optical platform ensuring best-in-class lighting performance in a broad range of applications. It also offers improved serviceability. Installation has also become easier and faster, and thanks to the Service tag, you have access to all relevant documentations onsite. Also, the cable feed-through has been redesigned and access to the gear components is easy thanks to top down tool-less access. Luma gen2 also offers all connectivity and dimming options available today and thanks to being System Ready, it can also be paired with lighting management systems such as Interact City or existing and upcoming sensor innovations. The Luma gen2 has been developed to optimise and simplify spare part repair and maintenance work using a new plug-and-play GearFlex module containing all electrical components in an easy to handle and accessible box inside the housing. As a company conscious about the impact of light on the environment and biodiversity, we also equipped the Luma gen2 with dedicated light recipes that help with maintaining the optimal ecosystems for bats or preserve a dark night sky.

Luma gen2

Benefits

- Best-in-class efficiency and light performance in a broad range of applications
- Ease of repairs and maintenance via a dedicated GearFlex module
- Easy disassembly at end of life
- Future-ready thanks to the SR (System Ready) socket
- Luminaire is equipped with dedicated light recipes that help to maintain optimal ecosystems for bats, preserve the dark night sky, and reduce light pollution
- Equipped with Service tag, a QR-based identification system that makes each luminaire uniquely identifiable and provides maintenance, installation, and spare parts information on-site

Features

- Dedicated GearFlex module enabling faster, safer, and tool-less maintenance
- Post-industrial recycled plastic material used in the GearFlex module and the white frame around the LED compartment
- >85% recyclable aluminum content
- Cable feed-through for easy installation
- Ready to be connected to Interact connected lighting management systems
- Ready to be paired with third-party lighting management systems and sensors
- Tilt with precision of 2.5 degrees
- Efficacy up to 200 lm /W for selected configurations
- Choice of 40+ different beams and different internal louvers
- flux optimization tool
- Surge protection up to 10 kV
- Wide range of lumen packages, ranging from 1,000 to 89,000 lm
- Various CCTs ranging from 1800K – 5700K

Application

- Motorways, inter-urban main roads, boulevards and avenues, roundabouts, pedestrian crossings
- Residential streets, side streets, squares, parks, cycle and pedestrian paths, playgrounds
- Parking areas, industrial areas, petrol stations, rail yards, airports, harbors, waterways

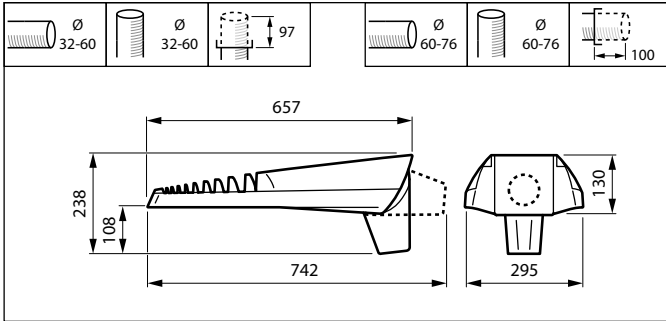
Versions



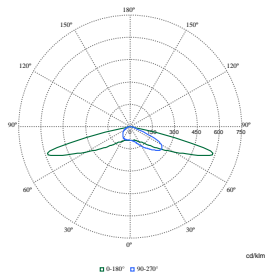
Luma gen2 Mini with SR connector

Luma gen2

Dimensional drawing



Polar Wide Diagrams



Polar Normal (separate) - BGP703I -
910925866539

