



# Iridium gen4 – Leading the way in road lighting comfort and convenience

## Iridium gen4

Iridium gen4, the fourth generation of the Iridium family, is completely redesigned and fully optimised for visual comfort and tool-less maintenance. The Iridium gen4 provides guidance through the clear curved bowl placed in each luminaire along the road. Optional is the offer with GentleBeam. This is a textured curved glass, which reduces glare and improves visual comfort, while maintaining a good lighting distribution. The luminaire holds a new plug and play GearFlex module. This ensures a simplified maintenance and spare part repair process. The complete redesigned luminaire has a tool less opening, similar to Luma gen2, containing all electrical components in an easy to handle and accessible box inside the housing. Besides, the cable feed-through has been redesigned and access to the gear components is easy thanks to top down tool-less access. Iridium gen4 offers all connectivity and dimming options available today. As System Ready luminaire, it can be paired with lighting management systems such as Interact City or existing and upcoming sensor innovations. Also, installation has become easier and faster, and thanks to Service tag, you have access to all relevant documentations onsite. As a company conscious about the impact of light on the environment and biodiversity, the Iridium gen4 is equipped with dedicated light recipes that help with maintaining the optimal ecosystems for bats or preserve a dark night sky. Iridium gen4 is a luminaire rated as best in class regarding efficiency and light performance, compared to other luminaires in the range, in a broad range of applications.

# Iridium gen4

## Benefits

- Ease of maintenance and fast repair enablement with tool-less opening and GearFlex module. With Service tag immediate spare part identification.
- Road lighting guidance with a clear bowl and supporting visual comfort with GentleBeam
- System ready with SR socket to connect with Interact City lighting management software and third-party lighting management systems and sensors

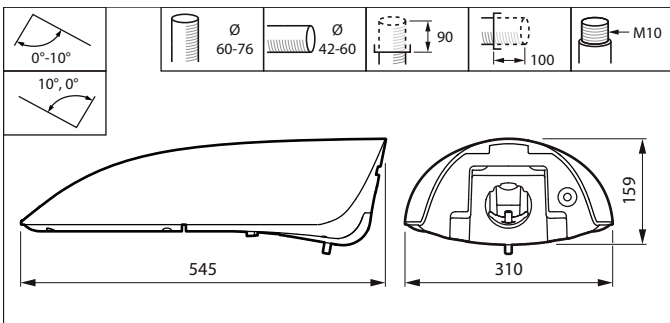
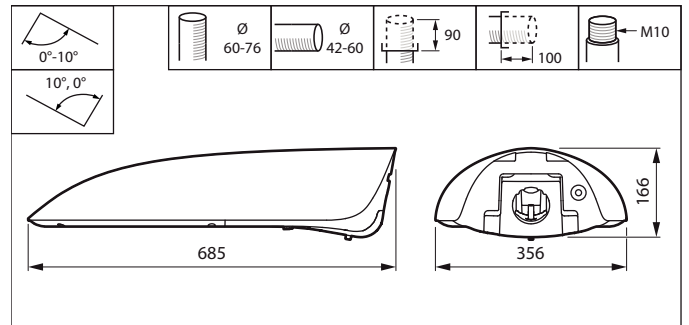
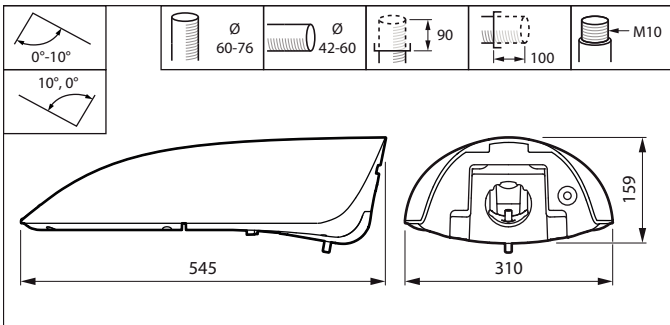
## Features

- New curved bowls for guidance lighting or visual comfort
- High impact resistance, IK10
- Equipped with dedicated light recipes that help 1) maintain the optimal ecosystems for bats 2) preserve a dark night sky and reduce light pollution
- Efficacy up to 155 lm/W
- Choice of 40+ different beams and the option of different internal louvres

## Application

- Motorways, inter-urban main roads, boulevards and avenues, roundabouts, pedestrian crossings
- Residential streets, side streets, squares, parks, cycle and pedestrian paths, playgrounds
- Parking areas, industrial areas, petrol stations, rail yards, airports, harbours, waterways

## Dimensional drawing



# Iridium gen4

## Product details



BGP501 Iridium gen4 Mini Open2



BGP502 Iridium gen4 Medium Open2



BGP501 Iridium gen4 Mini Cable1



BGP501 Iridium gen4 Mini Open2

## General Information

Driver included	Yes
Light source replaceable	Yes
Number of gear units	Unit
Service Tag	Yes

## Light Technical

Upwards light output ratio	0
----------------------------	---

## Operating and Electrical

Surge Protection (Common/Differential)	Surge protection level until 6 kV differential mode and 6 kV common mode
----------------------------------------	--------------------------------------------------------------------------

## Controls and Dimming

Maximum dim level	Not applicable
-------------------	----------------

## Mechanical and Housing

Housing Colour	Grey
Mech. impact protection code	IK10
Ingress protection code	IP66
Standard tilt angle side entry	0°
Standard tilt angle post-top	0°

## Approval and Application

CE mark	Yes
Flammability mark	For mounting on normally flammable surfaces

## General Information

Order Code	Full Product Name	Gear	Lamp family code
910925866569	BGP502 LED110-4S/740 II DW10 FG GF SRTB	-	LED110-4S
910925866570	BGP502 LED100-4S/740 DM11 FG GF SRTB SP	-	LED100-4S
910925866571	BGP502 LED120-4S/830 DW10 BL1 FG GF SRTB	-	LED120-4S
910925866554	BGP501 LED10-4S/740 DM11 FG GF SRTB SP	-	LED10-4S
910925866555	BGP501 LED20-4S/740 DM11 FG GF SRTB S05Z	-	LED20-4S
910925866557	BGP501 LED45-4S/740 II DW10 FG GF SRTB S	-	LED45-4S
910925866559	BGP501 LED10-4S/830 DW10 BL1 FG GF SRTB	-	LED10-4S
910925866565	BGP501 LED18-4S/830 II DM10 PCC TXT GF	-	LED18-4S
910925867311	BGP501 LED45-4S/740 II GF DM11 GR CO CLO	EBD	LED45-4S

## Light Technical (1/2)

Order Code	Full Product Name	Luminaire light beam spread	Light source colour	Correlated Colour Temperature (Nom)	Colour rendering index (CRI)
910925866569	BGP502 LED110-4S/740 II DW10 FG GF SRTB	34° x 62°	740 neutral white	4000 K	70
910925866570	BGP502 LED100-4S/740 DM11 FG GF SRTB SP	45° x 54°	740 neutral white	4000 K	70
910925866571	BGP502 LED120-4S/830 DW10 BL1 FG GF SRTB	13° x 60°	830 warm white	3000 K	80

Order Code	Full Product Name	Luminaire light beam spread	Light source colour	Correlated Colour Temperature (Nom)	Colour rendering index (CRI)
910925866554	BGP501 LED10-4S/740 DM11 FG GF SRTB SP	45° x 54°	740 neutral white	4000 K	70
910925866555	BGP501 LED20-4S/740 DM11 FG GF SRTB S05Z	45° x 54°	740 neutral white	4000 K	70
910925866557	BGP501 LED45-4S/740 II DW10 FG GF SRTB S	34° x 62°	740 neutral white	4000 K	70

## Iridium gen4

Order Code	Full Product Name	Luminaire light beam spread	Light source colour	Correlated Colour	Colour rendering	
				Temperature (Nom)	index (CRI)	
910925866559	BGP501	13° x 60°	830	3000 K	80	
	LED10-4S/830					warm
	DW10 BL1 FG GF					white
	SRTB					
910925866565	BGP501	38° x 56°	830	3000 K	80	
	LED18-4S/830 II					warm
	DM10 PCC TXT					white
	GF					

Order Code	Full Product Name	Luminaire light beam spread	Light source colour	Correlated Colour	Colour rendering	
				Temperature (Nom)	index (CRI)	
910925867311	BGP501	45° x 54°	830	3000 K	70	
	LED45-4S/740 II					warm
	GF DM11 GR CO					white
	CLO					

### Light Technical (2/2)

Order Code	Full Product Name	Luminous Flux	Optic type outdoor
910925866569	BGP502 LED110-4S/740 II DW10 FG GF SRTB	9,570 lm	Distribution wide 10
910925866570	BGP502 LED100-4S/740 DM11 FG GF SRTB SP	8,600 lm	Distribution medium 11
910925866571	BGP502 LED120-4S/830 DW10 BL1 FG GF SRTB	9,890 lm	Distribution wide 10
910925866554	BGP501 LED10-4S/740 DM11 FG GF SRTB SP	900 lm	Distribution medium 11
910925866555	BGP501 LED20-4S/740 DM11 FG GF SRTB S05Z	1,780 lm	Distribution medium 11

Order Code	Full Product Name	Luminous Flux	Optic type outdoor
910925866557	BGP501 LED45-4S/740 II DW10 FG GF SRTB S	3,960 lm	Distribution wide 10
910925866559	BGP501 LED10-4S/830 DW10 BL1 FG GF SRTB	910 lm	Distribution wide 10
910925866565	BGP501 LED18-4S/830 II DM10 PCC TXT GF	1,584 lm	Distribution medium 10
910925867311	BGP501 LED45-4S/740 II GF DM11 GR CO CLO	3,784 lm	Distribution medium 11

### Operating and Electrical

Order Code	Full Product Name	Power Consumption
910925866569	BGP502 LED110-4S/740 II DW10 FG GF SRTB	63 W
910925866570	BGP502 LED100-4S/740 DM11 FG GF SRTB SP	57 W
910925866571	BGP502 LED120-4S/830 DW10 BL1 FG GF SRTB	79 W
910925866554	BGP501 LED10-4S/740 DM11 FG GF SRTB SP	7.3 W
910925866555	BGP501 LED20-4S/740 DM11 FG GF SRTB S05Z	13.2 W

Order Code	Full Product Name	Power Consumption
910925866557	BGP501 LED45-4S/740 II DW10 FG GF SRTB S	27.5 W
910925866559	BGP501 LED10-4S/830 DW10 BL1 FG GF SRTB	8.9 W
910925866565	BGP501 LED18-4S/830 II DM10 PCC TXT GF	14.8 W
910925867311	BGP501 LED45-4S/740 II GF DM11 GR CO CLO	26.5 W

### Controls and Dimming

Order Code	Full Product Name	Dimmable
910925866569	BGP502 LED110-4S/740 II DW10 FG GF SRTB	No
910925866570	BGP502 LED100-4S/740 DM11 FG GF SRTB SP	No
910925866571	BGP502 LED120-4S/830 DW10 BL1 FG GF SRTB	No
910925866554	BGP501 LED10-4S/740 DM11 FG GF SRTB SP	No
910925866555	BGP501 LED20-4S/740 DM11 FG GF SRTB S05Z	No

Order Code	Full Product Name	Dimmable
910925866557	BGP501 LED45-4S/740 II DW10 FG GF SRTB S	No
910925866559	BGP501 LED10-4S/830 DW10 BL1 FG GF SRTB	No
910925866565	BGP501 LED18-4S/830 II DM10 PCC TXT GF	Yes
910925867311	BGP501 LED45-4S/740 II GF DM11 GR CO CLO	Yes

### Mechanical and Housing

Order Code	Full Product Name	Optical cover type
910925866569	BGP502 LED110-4S/740 II DW10 FG GF SRTB	Glass
910925866570	BGP502 LED100-4S/740 DM11 FG GF SRTB SP	Glass
910925866571	BGP502 LED120-4S/830 DW10 BL1 FG GF SRTB	Glass
910925866554	BGP501 LED10-4S/740 DM11 FG GF SRTB SP	Glass

Order Code	Full Product Name	Optical cover type
910925866555	BGP501 LED20-4S/740 DM11 FG GF SRTB S05Z	Glass
910925866557	BGP501 LED45-4S/740 II DW10 FG GF SRTB S	Glass
910925866559	BGP501 LED10-4S/830 DW10 BL1 FG GF SRTB	Glass
910925866565	BGP501 LED18-4S/830 II DM10 PCC TXT GF	Polycarbonate

# Iridium gen4

Order Code	Full Product Name	Optical cover type
910925867311	BGP501 LED45-4S/740 II GF DM11 GR CO CLO	Glass

## Over Time Performance (IEC Compliant)

Order Code	Full Product Name	Driver failure rate at 5,000 hours
910925866569	BGP502 LED110-4S/740 II DW10 FG GF SRTB	0.5 %
910925866570	BGP502 LED100-4S/740 DM11 FG GF SRTB SP	0.5 %
910925866571	BGP502 LED120-4S/830 DW10 BL1 FG GF SRTB	0.5 %
910925866554	BGP501 LED10-4S/740 DM11 FG GF SRTB SP	0.5 %
910925866555	BGP501 LED20-4S/740 DM11 FG GF SRTB S05Z	0.5 %

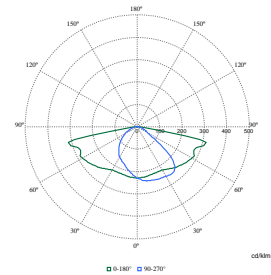
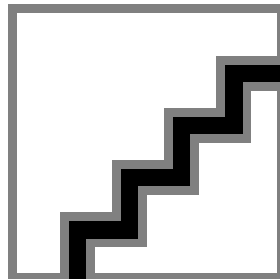
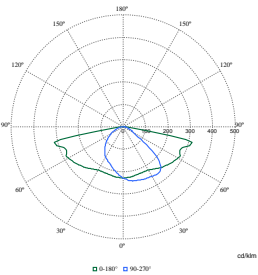
Order Code	Full Product Name	Driver failure rate at 5,000 hours
910925866557	BGP501 LED45-4S/740 II DW10 FG GF SRTB S	0.5 %
910925866559	BGP501 LED10-4S/830 DW10 BL1 FG GF SRTB	0.5 %
910925866565	BGP501 LED18-4S/830 II DM10 PCC TXT GF	0.5 %
910925867311	BGP501 LED45-4S/740 II GF DM11 GR CO CLO	-

## Product Data

Order Code	Full Product Name	Product family code
910925866569	BGP502 LED110-4S/740 II DW10 FG GF SRTB	BGP502
910925866570	BGP502 LED100-4S/740 DM11 FG GF SRTB SP	BGP502
910925866571	BGP502 LED120-4S/830 DW10 BL1 FG GF SRTB	BGP502
910925866554	BGP501 LED10-4S/740 DM11 FG GF SRTB SP	BGP501
910925866555	BGP501 LED20-4S/740 DM11 FG GF SRTB S05Z	BGP501

Order Code	Full Product Name	Product family code
910925866557	BGP501 LED45-4S/740 II DW10 FG GF SRTB S	BGP501
910925866559	BGP501 LED10-4S/830 DW10 BL1 FG GF SRTB	BGP501
910925866565	BGP501 LED18-4S/830 II DM10 PCC TXT GF	BGP501
910925867311	BGP501 LED45-4S/740 II GF DM11 GR CO CLO	BGP501

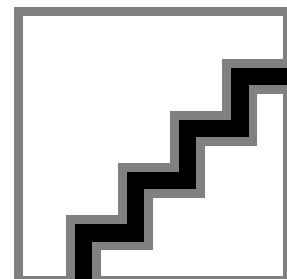
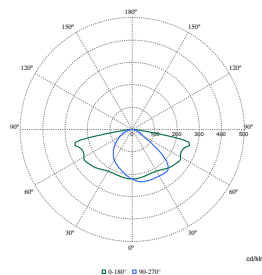
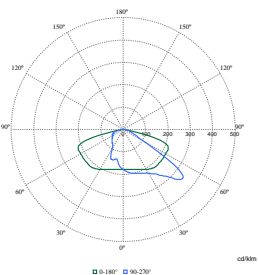
## Polar Wide Diagrams



Polar Normal (separate) - BGP501I - 910925866555

Polar Normal (separate) - BGP501I - 910925866562

Polar Normal (separate) - BGP501I - 910925866554



Polar Normal (separate) - BGP502I - 910925866569

Polar Normal (separate) - BGP502I - 910925866570

Polar Normal (separate) - BGP501I - 910925867311

