



## Iridium gen4 – Leading the way in road lighting comfort and convenience

Iridium gen4, the fourth generation of the Iridium family, is completely redesigned and fully optimized for visual comfort and tool-less maintenance. The Iridium gen4 provides guidance through the clear curved bowl placed in each luminaire along the road. Optional is the offer with GentleBeam. This is a textured curved glass, which reduces glare and improves visual comfort, while maintaining a good lighting distribution. The luminaire holds a new plug and play GearFlex module. This ensures a simplified maintenance and spare part repair process. The complete redesigned luminaire has a tool less opening, similar to Luma gen2, containing all electrical components in an easy to handle and accessible box inside the housing. Besides, the cable feed-through has been redesigned and access to the gear components is easy thanks to top down tool-less access. Iridium gen4 offers all connectivity and dimming options available today. As System Ready luminaire, it can be paired with lighting management systems such as Interact City or existing and upcoming sensor innovations. Also, installation has become easier and faster, and thanks to Service tag, you have access to all relevant documentations onsite. As a company conscious about the impact of light on the environment and biodiversity, the Iridium gen4 is equipped

with dedicated light recipes that help with maintaining the optimal ecosystems for bats or preserve a dark night sky. Iridium gen4 is a luminaire rated as best in class regarding efficiency and light performance, compared to other luminaires in the range, in a broad range of applications.

## Benefits

- Ease of maintenance and fast repair enablement with tool less opening and GearFlex module. With Service tag immediate spare part identification.
- Road lighting guidance with clear bowl and supporting visual comfort with GentleBeam
- System ready with SR socket to connect with Interact City lighting management software and third party lighting management systems and sensors

## Applications

- Motorways, inter-urban main roads, boulevards and avenues, roundabouts, pedestrian crossings
- Residential streets, side streets, squares, parks, cycle and pedestrian paths, playgrounds
- Parking areas, industrial areas, petrol stations, rail yards, airports, harbors, waterways

## Versions

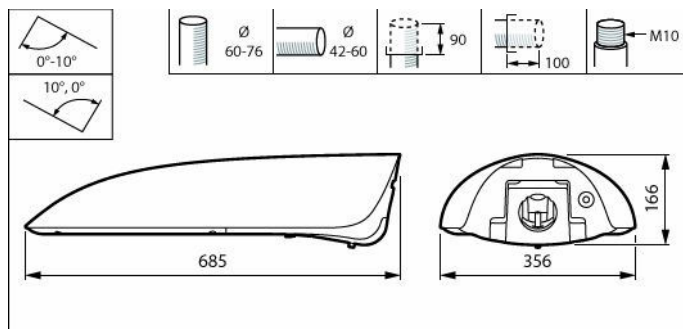


BGP502 Iridium gen4  
Medium FG n

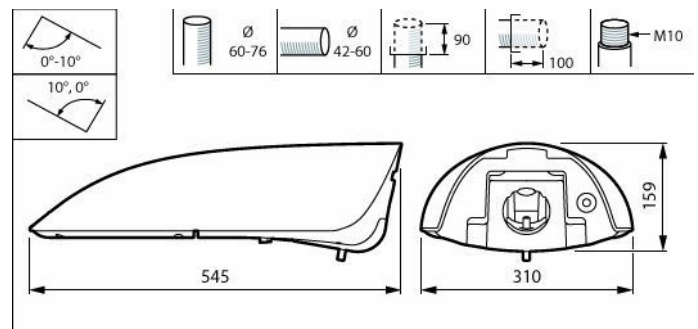


BGP502 Iridium gen4 Mini  
FG n

## Dimensional drawing



Iridium gen4 Medium dimensions



BGP501 LED45-4S/740 II DW10 FG GF SRTB S

## Product details



BGP502 Iridium gen4  
Medium Open2



BGP501 Iridium gen4 Mini  
Open2

### General Information

Light source replaceable	Yes
Number of gear units	1 unit
Driver included	Yes
Service tag	Yes

### Light Technical

Upward light output ratio	0
---------------------------	---

### Operating and Electrical

Surge Protection (Common/Differential)	Surge protection level until 6 kV differential mode and 6 kV common mode
--	--

### Controls and Dimming

Maximum dim level	Not applicable
-------------------	----------------

### Mechanical and Housing

Housing Color	Gray
Ingress protection code	IP66 [Dust penetration-protected, jet-proof]
Mech. impact protection code	IK10 [20 J vandal-resistant]
Standard tilt angle posttop	0°
Standard tilt angle side entry	0°

### Approval and Application

Flammability mark	For mounting on normally flammable surfaces
CE mark	Yes

## Over Time Performance (IEC Compliant)

Driver failure rate at 5000 h 0.5 %

## General Information

Order Code	Full Product Name	Lamp family code
06001200	BGP502 LED110-4S/740 II DW10 FG GF SRTB	LED110-4S
06003600	BGP502 LED120-4S/830 DW10 BL1 FG GF SRTB	LED120-4S
05986300	BGP501 LED10-4S/740 DM11 FG GF SRTB SP	LED10-4S
05987000	BGP501 LED20-4S/740 DM11 FG GF SRTB S05Z	LED20-4S
05988700	BGP501 LED27-4S/740 II DW10 FG GF SRTB S	LED27-4S
05989400	BGP501 LED45-4S/740 II DW10 FG GF SRTB S	LED45-4S
05991700	BGP501 LED10-4S/830 DW10 BL1 FG GF SRTB	LED10-4S
05997900	BGP501 LED18-4S/830 II DM10 PCC TXT GF	LED18-4S

## Light Technical

Order Code	Full Product Name	Luminous Flux	Correlated Color Temperature (Nom)	Color rendering index (CRI)	Light source color	Luminaire light beam spread	Optic type outdoor
06001200	BGP502 LED110-4S/740 II DW10 FG GF SRTB	9,570 lm	4000 K	70	740 neutral white	34° x 62°	Distribution wide 10
06003600	BGP502 LED120-4S/830 DW10 BL1 FG GF SRTB	9,890 lm	3000 K	80	830 warm white	13° x 60°	Distribution wide 10
05986300	BGP501 LED10-4S/740 DM11 FG GF SRTB SP	900 lm	4000 K	70	740 neutral white	45° x 54°	Distribution medium 11
05987000	BGP501 LED20-4S/740 DM11 FG GF SRTB S05Z	1,780 lm	4000 K	70	740 neutral white	45° x 54°	Distribution medium 11
05988700	BGP501 LED27-4S/740 II DW10 FG GF SRTB S	2,430 lm	4000 K	70	740 neutral white	34° x 62°	Distribution wide 10
05989400	BGP501 LED45-4S/740 II DW10 FG GF SRTB S	3,960 lm	4000 K	70	740 neutral white	34° x 62°	Distribution wide 10
05991700	BGP501 LED10-4S/830 DW10 BL1 FG GF SRTB	910 lm	3000 K	80	830 warm white	13° x 60°	Distribution wide 10
05997900	BGP501 LED18-4S/830 II DM10 PCC TXT GF	1,584 lm	3000 K	80	830 warm white	38° x 56°	Distribution medium 10

## Operating and Electrical

Order Code	Full Product Name	Power Consumption
06001200	BGP502 LED110-4S/740 II DW10 FG GF SRTB	63 W
06003600	BGP502 LED120-4S/830 DW10 BL1 FG GF SRTB	79 W
05986300	BGP501 LED10-4S/740 DM11 FG GF SRTB SP	7.3 W
05987000	BGP501 LED20-4S/740 DM11 FG GF SRTB S05Z	13.2 W
05988700	BGP501 LED27-4S/740 II DW10 FG GF SRTB S	16.8 W
05989400	BGP501 LED45-4S/740 II DW10 FG GF SRTB S	27.5 W
05991700	BGP501 LED10-4S/830 DW10 BL1 FG GF SRTB	8.9 W
05997900	BGP501 LED18-4S/830 II DM10 PCC TXT GF	14.8 W

## Controls and Dimming

Order Code	Full Product Name	Dimmable
06001200	BGP502 LED110-4S/740 II DW10 FG GF SRTB	No
06003600	BGP502 LED120-4S/830 DW10 BL1 FG GF SRTB	No
05986300	BGP501 LED10-4S/740 DM11 FG GF SRTB SP	No
05987000	BGP501 LED20-4S/740 DM11 FG GF SRTB S05Z	No
05988700	BGP501 LED27-4S/740 II DW10 FG GF SRTB S	No
05989400	BGP501 LED45-4S/740 II DW10 FG GF SRTB S	No
05991700	BGP501 LED10-4S/830 DW10 BL1 FG GF SRTB	No
05997900	BGP501 LED18-4S/830 II DM10 PCC TXT GF	Yes

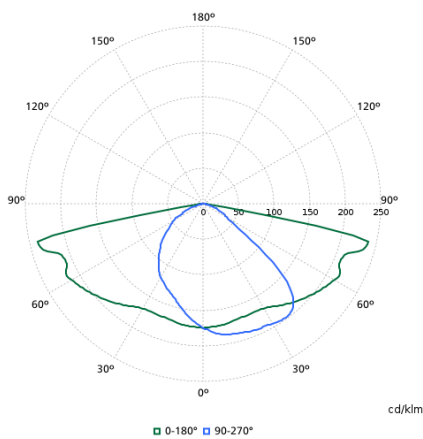
## Mechanical and Housing

Order Code	Full Product Name	Optical cover type
06001200	BGP502 LED110-4S/740 II DW10 FG GF SRTB	Glass
06003600	BGP502 LED120-4S/830 DW10 BL1 FG GF SRTB	Glass
05986300	BGP501 LED10-4S/740 DM11 FG GF SRTB SP	Glass
05987000	BGP501 LED20-4S/740 DM11 FG GF SRTB S05Z	Glass
05988700	BGP501 LED27-4S/740 II DW10 FG GF SRTB S	Glass
05989400	BGP501 LED45-4S/740 II DW10 FG GF SRTB S	Glass
05991700	BGP501 LED10-4S/830 DW10 BL1 FG GF SRTB	Glass
05997900	BGP501 LED18-4S/830 II DM10 PCC TXT GF	Polycarbonate

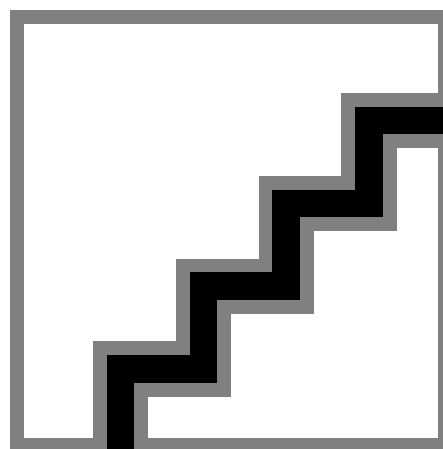
## Product Data

Order Code	Full Product Name	Product family code
06001200	BGP502 LED110-4S/740 II DW10 FG GF SRTB	BGP502
06003600	BGP502 LED120-4S/830 DW10 BL1 FG GF SRTB	BGP502
05986300	BGP501 LED10-4S/740 DM11 FG GF SRTB SP	BGP501
05987000	BGP501 LED20-4S/740 DM11 FG GF SRTB S05Z	BGP501
05988700	BGP501 LED27-4S/740 II DW10 FG GF SRTB S	BGP501
05989400	BGP501 LED45-4S/740 II DW10 FG GF SRTB S	BGP501
05991700	BGP501 LED10-4S/830 DW10 BL1 FG GF SRTB	BGP501
05997900	BGP501 LED18-4S/830 II DM10 PCC TXT GF	BGP501

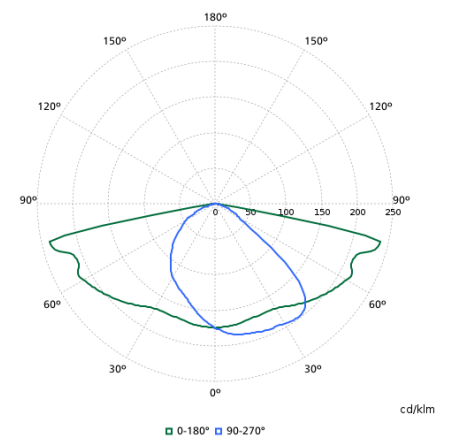
## Polar normal diagrams



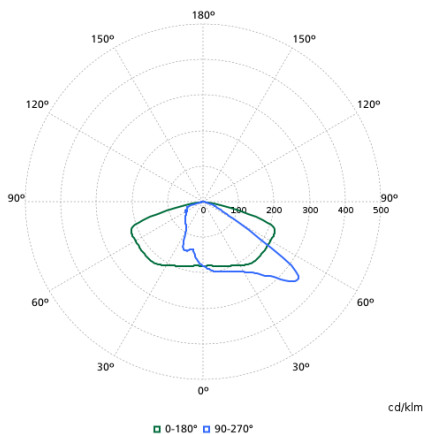
BGP501I - 910925866555



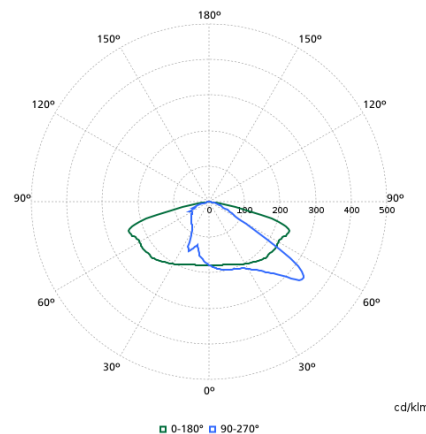
BGP501I - 910925866562



BGP501I - 910925866554



BGP502I - 910925866569



BGP501I - 910925866556