



The most cost-effective outdoor spot light with better efficient and performance

UniPoint

Our UniPoint is designed to produce both general and accent lighting while concealing the body of the device, allowing only the light to be exposed. This design can be used to change the surroundings by adding subtle or dramatic contrasting effects. It also includes exclusive features such as energy efficiency, chromatic quality and miniaturization. We guarantee extreme reliability and high level of resistance to adverse weather conditions and vandalism

Benefits

- In stylish and very compact design
- Price point versus PHILIPS standards
- Effortless and flexible installation
- Customizing for you

Features

- High quality LED
- Different choice of light source and beam angles
- Die-cast aluminum housing + dark grey sand coating to ensure anticorrosion
- Structural waterproof technology
- IP66
- IK06
- Quality and reliability in line with all regulations

Application

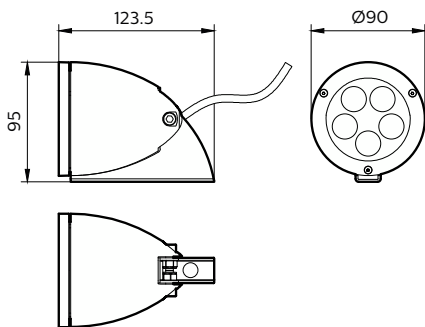
- Buildings
- Statues
- Columns
- Pillars
- Eaves

Versions



UniPoint BGP312 5LED

Dimensional drawing



General Information

Driver included	No
Light source replaceable	No

Light Technical

Light source color	830 warm white
Correlated Color Temperature (Nom)	3000 K
Color rendering index (CRI)	>75
Luminous Flux	595 lm

Operating and Electrical

Power Consumption	10 W
-------------------	------

Controls and Dimming

Dimmable	No
----------	----

Mechanical and Housing

Optical cover type	Glass bowl/cover
Housing Color	Dark gray
Mech. impact protection code	IK06
Ingress protection code	IP66
Standard tilt angle side entry	-
Standard tilt angle posttop	-

Approval and Application

CE mark	No
---------	----

Light Technical

Order Code	Full Product Name	Luminaire light beam spread	Optic type outdoor
911401710862	BGP312 5LED 3000K MB	25°	Medium beam angle 25°
911401710872	BGP312 5LED 3000K WB	40°	Wide beam angle 42°

