



Versatile and cost-efficient LED lighting

ClearWay Gen2 enables you to enjoy the benefits of LED technology for urban lighting right from the start. This new second generation of the luminaire builds on the strengths of its predecessor and is designed to further minimize your Total Cost of Ownership. ClearWay Gen2 significantly improves the most important aspects of the street lighting experience compared to conventional urban lighting. Ideal for new streets and for renovating existing installations, this affordable range of urban ClearWay lighting solutions combines clean design, high-quality light with significant energy and maintenance savings. In short, ClearWay Gen2 means good quality light with all the added benefits of LED – energy savings and long lifetime. Offering more benefits, yet packaged in a thinner and lighter design, which makes it easier to install.

Benefits

- A range of benefits packaged in one single luminaire architecture
- Easy to install
- Low initial cost
- Reasonable Total Cost of Ownership
- Signify Service tag (unique QR identification) for maintenance, installation and spare part information

Applications

- Urban and residential roads
- Bicycle and pedestrian paths
- Minor roads
- Parking lots

Features

- One flexible design that offers different options depending on application needs

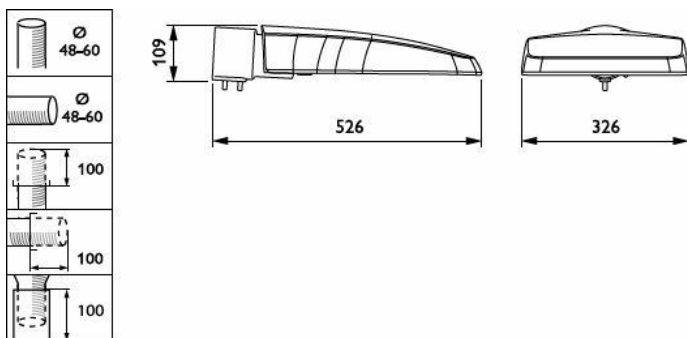
- Includes a dedicated light recipe that preserves dark night skies
- Compact and efficient design
- Tilt regulation with no need to open the cover

Versions

ClearWay gen2 Performer-
BGP307



Dimensional drawing



BGP307 LED120-4S/740 II DM50 48/60S

General Information

Lamp family code	LED120 [LED module 12000 lm]
Light source replaceable	Yes
Number of gear units	1 unit
Driver included	Yes
Service tag	Yes

Light Technical

Upward light output ratio	0
Luminous Flux	10,200 lm
Correlated Color Temperature (Nom)	4000 K
Color rendering index (CRI)	70
Light source color	740 neutral white
Luminaire light beam spread	154° - 31° x 54°
Optic type outdoor	Distribution medium 50

Operating and Electrical

Power Consumption	72 W
Surge Protection (Common/Differential)	Surge protection level until 6 kV differential mode and 8 kV common mode

Controls and Dimming

Dimmable	No
Maximum dim level	Not applicable

Mechanical and Housing

Housing Color	Gray
Ingress protection code	IP66 [Dust penetration-protected, jet-proof]
Mech. impact protection code	IK09 [10 J]
Standard tilt angle posttop	0°
Standard tilt angle side entry	0°
Optical cover type	Flat glass

Approval and Application

Flammability mark	-
CE mark	Yes

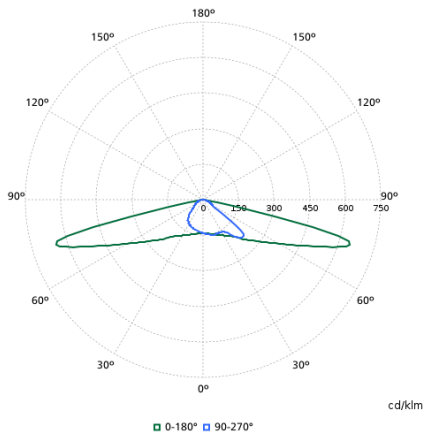
Over Time Performance (IEC Compliant)

Driver failure rate at 5000 h	0.5 %
-------------------------------	-------

Product Data

Product family code	BGP307 [CLEARWAY GEN2]
---------------------	------------------------

Polar normal diagrams



BGP307I - 910925865134