



The easy way to ledify your road lighting – UniStreet gen2

UniStreet gen2

Designed for ledification projects, the UniStreet gen2 is the ideal 1:1 luminaire replacement for municipalities. Thanks to its high efficiency and low initial cost, the UniStreet gen2 luminaire enables a fast payback and significant savings in terms of energy consumption within a short period of time. The ease of installation and maintenance is enabled by the Philips Service tag and the Philips SR (System Ready) Zhaga socket(s) makes it future-ready, and you can pair this luminaire with lighting control or sensors and software applications such as Interact City. Available with a significant number of different optics and lumen packages that can even be tuned further to fit exact project requirements, UniStreet gen2 is a true point-to-point replacement solution for conventional or generation 1 LED light sources. The compact luminaire, using high-quality materials is also easy to dismantle and recycle at the end of its lifetime.

Benefits

- 1 to 1 replacement for conventional luminaires
- Offers high efficiency and energy savings
- Made of high-quality materials for longer lifetime and minimized maintenance

Features

- Good application coverage thanks to wide range of optics, tunable flux and tiltable spigot
- Easy luminaire identification due to the Service tag
- Future-ready thanks to the SR (System Ready) socket
- Luminaire is also equipped with dedicated light recipes that help with: 1) maintaining an optimal ecosystems for bats or 2) preserving a dark night sky and reduce light pollution
- Increased shock resistance with optional IK09 glass cover

UniStreet gen2

Application

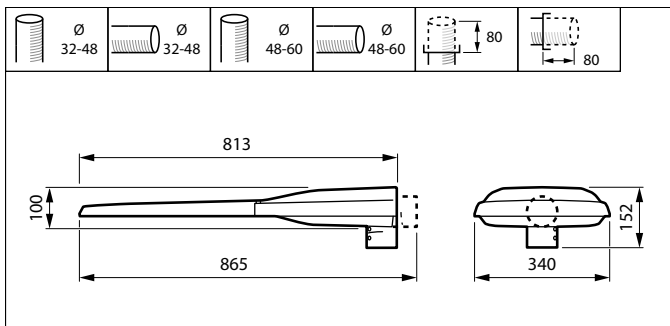
- Roads and streets
- Residential streets

Versions



LumiStreet/UniStreet gen2 Large

Dimensional drawing



Product details

UniStreet_LumiStreet_gen2



UniStreet_LumiStreet_gen2



UniStreet gen2

Product details

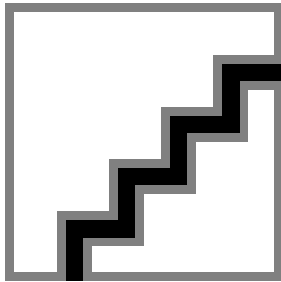


Bottom view for spigot regulation and screw



UniStreet_LumiStreet_gen2

Polar Wide Diagrams



Polar Normal (separate) - BGP284I - 910925866914

