



The easy way to ledify your road lighting – UniStreet gen2

UniStreet gen2

Designed for large-scale ledification projects, the UniStreet gen2 is the ideal 1:1 luminaire replacement for municipalities. Thanks to its high efficiency and low initial cost, the UniStreet gen2 luminaire enables a fast payback and significant savings in terms of energy consumption within a short period of time. The ease of installation and maintenance is enabled by the Philips Service tag and the Philips SR (System Ready) socket makes it future-ready and you can pair this luminaire with lighting control and software applications, such as Interact City. Available with a number of different optics and lumen packages that can even be tuned further to fit exact project requirements, UniStreet gen2 is a true point-to-point replacement solution for conventional light sources. The high-quality compact luminaire is also easy to dismantle and recycle at the end of its lifetime.

Benefits

- 1 to 1 replacement for conventional luminaires
- Offers high efficiency and energy savings
- Made of high-quality materials for a longer lifetime and minimised maintenance

Features

- Good application coverage thanks to wide range of optics, tunable flux and tillable spigot
- Easy luminaire identification due to the Philips Service tag
- Future-ready thanks to the SR (System Ready) socket
- The luminaire is also equipped with dedicated light recipes that help with: 1) maintaining an optimal ecosystems for bats or 2) preserving a dark night sky and reduce light pollution
- Increased shock resistance with optional IK09 glass cover

UniStreet gen2

Application

- Roads and streets
- Residential streets

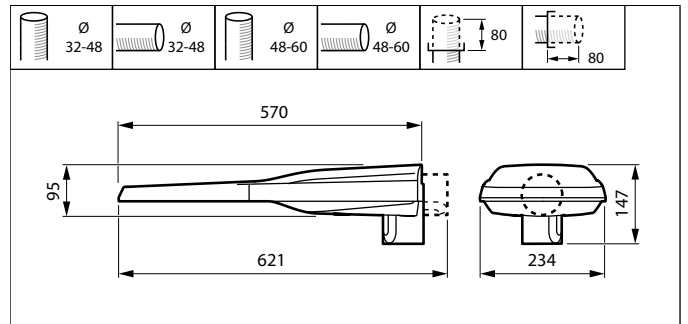
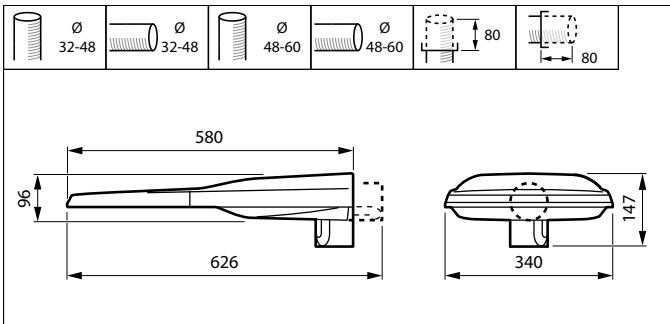
Versions



LumiStreet/UniStreet gen2 Mini

LumiStreet/UniStreet gen2 Medium

Dimensional drawing



Product details

UniStreet_LumiStreet_gen2

UniStreet_LumiStreet_gen2



UniStreet gen2

Product details

UniStreet_LumiStreet_gen2



UniStreet_LumiStreet_gen2



Bottom view for spigot regulation
and screw



UniStreet_LumiStreet_gen2



UniStreet_LumiStreet_gen2



General Information

Driver included	Yes
Light source replaceable	Yes
Number of gear units	Unit
Service Tag	Yes

Light Technical

Light source colour	740 neutral white
Correlated Colour Temperature (Nom)	4000 K
Colour rendering index (CRI)	70
Upwards light output ratio	0

Operating and Electrical

Surge Protection (Common/Differential)	Luminaire surge protection level up to 6 kV differential mode and 8 kV common mode
--	--

Controls and Dimming

Dimmable	Yes
Maximum dim level	0% (digital)

Mechanical and Housing

Optical cover type	Flat glass
Housing Colour	Grey
Mech. impact protection code	IK09
Ingress protection code	IP66
Standard tilt angle side entry	0°
Standard tilt angle post-top	0°

Approval and Application

CE mark	Yes
Flammability mark	For mounting on normally flammable surfaces

Over Time Performance (IEC Compliant)

Driver failure rate at 5,000 hours	0.5 %
------------------------------------	-------

General Information

Order Code	Full Product Name	Lamp family code
910925866752	BGP282 LED80-4S/740 I DM11 D948/60S	LED80
910925866745	BGP283 LED149-4S/740 I DM50 D9 48/60S	LED149

Light Technical

Order Code	Full Product Name	Luminaire light beam spread	Luminous Flux	Optic type outdoor
910925866752	BGP282 LED80-4S/740 I DM11 D948/60S	160° - 42° x 54°	6,960 lm	Distribution medium 11

Order Code	Full Product Name	Luminaire light beam spread	Luminous Flux	Optic type outdoor
910925866745	BGP283 LED149-4S/740 I DM50 D9 48/60S	154° - 31° x 54°	12,900 lm	Distribution medium 50

Operating and Electrical

UniStreet gen2

Order Code	Full Product Name	Power Consumption
910925866752	BGP282 LED80-4S/740 I DM11 D948/60S	47 W

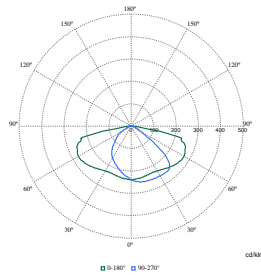
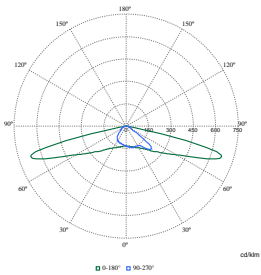
Order Code	Full Product Name	Power Consumption
910925866745	BGP283 LED149-4S/740 I DM50 D9 48/60S	84 W

Product Data

Order Code	Full Product Name	Product family code
910925866752	BGP282 LED80-4S/740 I DM11 D948/60S	BGP282

Order Code	Full Product Name	Product family code
910925866745	BGP283 LED149-4S/740 I DM50 D9 48/60S	BGP283

Polar Wide Diagrams



Polar Normal (separate) - BGP283I -
910925866745

Polar Normal (separate) - BGP282I -
910925866752

