



# The easy way to ledify your road lighting – UniStreet gen2

## UniStreet gen2

Designed for ledification projects, the UniStreet gen2 is the ideal 1:1 luminaire replacement for municipalities. Thanks to its high efficiency and low initial cost, the UniStreet gen2 luminaire enables a fast payback and significant savings in terms of energy consumption within a short period of time. The ease of installation and maintenance is enabled by the Philips Service tag and the Philips SR (System Ready) Zhaga socket(s) makes it future-ready, and you can pair this luminaire with lighting control or sensors and software applications such as Interact City. Available with a significant number of different optics and lumen packages that can even be tuned further to fit exact project requirements, UniStreet gen2 is a true point-to-point replacement solution for conventional or generation 1 LED light sources. The compact luminaire, using high-quality materials is also easy to dismantle and recycle at the end of its lifetime.

### Benefits

- 1 to 1 replacement for conventional luminaires
- Offers high efficiency and energy savings
- Made of high-quality materials for longer lifetime and minimized maintenance

### Features

- Good application coverage thanks to wide range of optics, tunable flux and tiltable spigot
- Easy luminaire identification due to the Service tag
- Future-ready thanks to the SR (System Ready) socket
- Luminaire is also equipped with dedicated light recipes that help with: 1) maintaining an optimal ecosystems for bats or 2) preserving a dark night sky and reduce light pollution
- Increased shock resistance with optional IK09 glass cover

# UniStreet gen2

## Application

- Roads and streets
- Residential streets

## Versions



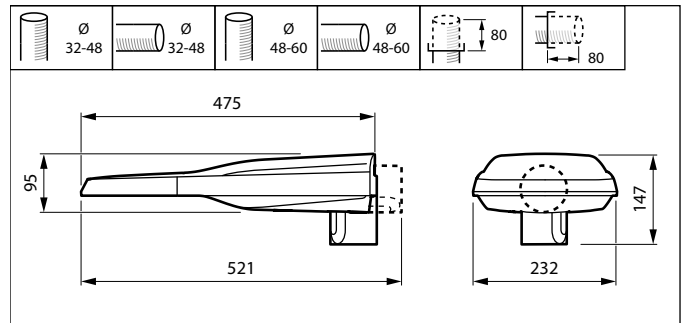
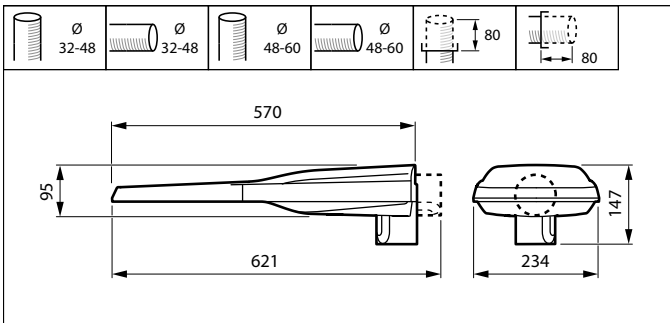
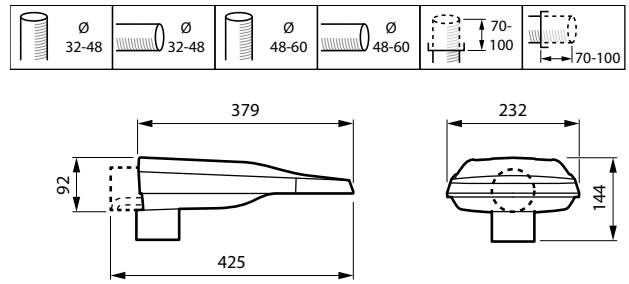
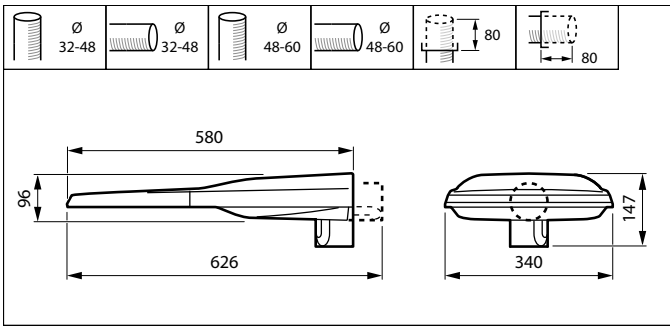
UniStreet LumiStreet gen2 Nano

LumiStreet/UniStreet gen2 Mini

LumiStreet/UniStreet gen2 Medium

LumiStreet/UniStreet gen2 Micro

## Dimensional drawing



# UniStreet gen2

## Product details

UniStreet LumiStreet gen2 Nano  
top side view with Zhaga sockets



UniStreet\_LumiStreet\_gen2



UniStreet LumiStreet gen2 Nano  
profile view



UniStreet gen2 spigot regulation



UniStreet\_LumiStreet\_gen2

UniStreet\_LumiStreet\_gen2



UniStreet LumiStreet gen2 Nano  
gear compartment



UniStreet\_LumiStreet\_gen2

UniStreet\_LumiStreet\_gen2



# UniStreet gen2

## Product details

UniStreet\_LumiStreet\_gen2



UniStreet LumiStreet gen2 Nano spigot view

Bottom view for spigot regulation and screw



UniStreet LumiStreet gen2 Nano spigot view



UniStreet LumiStreet gen2 Nano profile view with Zhaga sockets



UniStreet\_LumiStreet\_gen2



UniStreet LumiStreet gen2 Nano top view



UniStreet LumiStreet gen2 Nano bottom view



UniStreet LumiStreet gen2 Nano bottom view with louvre



# UniStreet gen2

## Product details



UniStreet LumiStreet gen2 Nano gear compartment



UniStreet LumiStreet gen2 Nano gear compartment

UniStreet\_LumiStreet\_gen2



UniStreet\_LumiStreet\_gen2



### General Information

|                          |        |
|--------------------------|--------|
| Driver included          | Yes    |
| Light source replaceable | Yes    |
| Number of gear units     | 1 unit |
| Service tag              | Yes    |

### Light Technical

|                             |    |
|-----------------------------|----|
| Color rendering index (CRI) | 70 |
| Upward light output ratio   | 0  |

### Operating and Electrical

|  |  |
|--|--|
| Surge Protection (Common/Differential) | Surge protection level until 6 kV differential mode and 8 kV common mode |
|--|--|

### Mechanical and Housing

|                                |            |
|--------------------------------|------------|
| Optical cover type             | Flat glass |
| Housing Color                  | Gray       |
| Ingress protection code        | IP66       |
| Standard tilt angle side entry | 0°         |
| Standard tilt angle posttop    | 0°         |

### Approval and Application

|                   |   |
|-------------------|---|
| CE mark           | Yes   |
| Flammability mark | For mounting on normally flammable surfaces |

### General Information

| Order Code   | Full Product Name                       | Lamp family code |
|--------------|---|------------------|
| 910925868720 | BGP280 LED50-1F/740 I DM10 48/60S       | LED50            |
| 910925866752 | BGP282 LED80-4S/740 I DM11 D948/60S     | LED80            |
| 910925868107 | BGP292 LED100-4S/730 II DM50 MSP 48/60S | LED100           |
| 910925868108 | BGP292 LED100-4S/730 II DM50 48/60S     | LED100           |
| 910925866440 | BGP283 LED240-4S/740 I DM11 48/60S      | LED240           |
| 910925866684 | BGP283 LED120-4S/740 II DM50 D9 48/60S  | LED120           |
| 910925866774 | BGP283 LED200-4S/740 I DX10 ALU 48/60S  | LED200           |
| 910925868105 | BGP291 LED51-4S/730 II DM50 MSP 48/60S  | LED51            |
| 910925868106 | BGP291 LED51-4S/730 II DM50 48/60S      | LED51            |

## Light Technical (1/2)

| Order Code   | Full Product Name                       | Luminaire light beam spread | Light source color | Correlated Color  |               |
|--------------|---|-----------------------------|--------------------|-------------------|---------------|
|              |   |                             |                    | Temperature (Nom) | Luminous Flux |
| 910925868720 | BGP280 LED50-1F/740 I DM10 48/60S       | 157° - 33° x 55°            | 740 neutral white  | 4000 K            | 4,100 lm      |
| 910925866752 | BGP282 LED80-4S/740 I DM11 D948/60S     | 160° - 42° x 54°            | 740 neutral white  | 4000 K            | 6,960 lm      |
| 910925868107 | BGP292 LED100-4S/730 II DM50 MSP 48/60S | 154° - 31° x 54°            | 730 warm white     | 3000 K            | 8,600 lm      |
| 910925868108 | BGP292 LED100-4S/730 II DM50 48/60S     | 154° - 31° x 54°            | 730 warm white     | 3000 K            | 8,600 lm      |
| 910925866440 | BGP283 LED240-4S/740 I DM11 48/60S      | 160° - 42° x 54°            | 740 neutral white  | 4000 K            | 20,160 lm     |

| Order Code   | Full Product Name                      | Luminaire light beam spread | Light source color | Correlated Color  |               |
|--------------|--|-----------------------------|--------------------|-------------------|---------------|
|              |  |                             |                    | Temperature (Nom) | Luminous Flux |
| 910925866684 | BGP283 LED120-4S/740 II DM50 D9 48/60S | 154° - 31° x 54°            | 740 neutral white  | 4000 K            | 10,440 lm     |
| 910925866774 | BGP283 LED200-4S/740 I DX10 ALU 48/60S | 150° - 43° x 67°            | 740 neutral white  | 4000 K            | 17,000 lm     |
| 910925868105 | BGP291 LED51-4S/730 II DM50 MSP 48/60S | 154° - 31° x 54°            | 730 warm white     | 3000 K            | 4,524 lm      |
| 910925868106 | BGP291 LED51-4S/730 II DM50 48/60S     | 154° - 31° x 54°            | 730 warm white     | 3000 K            | 4,524 lm      |

## Light Technical (2/2)

| Order Code   | Full Product Name                       | Optic type outdoor     |
|--------------|---|------------------------|
| 910925868720 | BGP280 LED50-1F/740 I DM10 48/60S       | Distribution medium 10 |
| 910925866752 | BGP282 LED80-4S/740 I DM11 D948/60S     | Distribution medium 11 |
| 910925868107 | BGP292 LED100-4S/730 II DM50 MSP 48/60S | Distribution medium 50 |
| 910925868108 | BGP292 LED100-4S/730 II DM50 48/60S     | Distribution medium 50 |
| 910925866440 | BGP283 LED240-4S/740 I DM11 48/60S      | Distribution medium 11 |

| Order Code   | Full Product Name                      | Optic type outdoor         |
|--------------|--|----------------------------|
| 910925866684 | BGP283 LED120-4S/740 II DM50 D9 48/60S | Distribution medium 50     |
| 910925866774 | BGP283 LED200-4S/740 I DX10 ALU 48/60S | Distribution extra wide 10 |
| 910925868105 | BGP291 LED51-4S/730 II DM50 MSP 48/60S | Distribution medium 50     |
| 910925868106 | BGP291 LED51-4S/730 II DM50 48/60S     | Distribution medium 50     |

## Operating and Electrical

| Order Code   | Full Product Name                       | Power Consumption |
|--------------|---|-------------------|
| 910925868720 | BGP280 LED50-1F/740 I DM10 48/60S       | 31 W              |
| 910925866752 | BGP282 LED80-4S/740 I DM11 D948/60S     | 47 W              |
| 910925868107 | BGP292 LED100-4S/730 II DM50 MSP 48/60S | 61 W              |
| 910925868108 | BGP292 LED100-4S/730 II DM50 48/60S     | 61 W              |
| 910925866440 | BGP283 LED240-4S/740 I DM11 48/60S      | 138 W             |

| Order Code   | Full Product Name                      | Power Consumption |
|--------------|--|-------------------|
| 910925866684 | BGP283 LED120-4S/740 II DM50 D9 48/60S | 67 W              |
| 910925866774 | BGP283 LED200-4S/740 I DX10 ALU 48/60S | 112 W             |
| 910925868105 | BGP291 LED51-4S/730 II DM50 MSP 48/60S | 32.5 W            |
| 910925868106 | BGP291 LED51-4S/730 II DM50 48/60S     | 32.5 W            |

## Controls and Dimming

| Order Code   | Full Product Name                       | Dimmable | Maximum dim level |
|--------------|---|----------|-------------------|
| 910925868720 | BGP280 LED50-1F/740 I DM10 48/60S       | No       | 0% (digital)      |
| 910925866752 | BGP282 LED80-4S/740 I DM11 D948/60S     | Yes      | 0% (digital)      |
| 910925868107 | BGP292 LED100-4S/730 II DM50 MSP 48/60S | No       | Programmable      |
| 910925868108 | BGP292 LED100-4S/730 II DM50 48/60S     | No       | Programmable      |

| Order Code   | Full Product Name                      | Dimmable | Maximum dim level |
|--------------|--|----------|-------------------|
| 910925866440 | BGP283 LED240-4S/740 I DM11 48/60S     | No       | 0% (digital)      |
| 910925866684 | BGP283 LED120-4S/740 II DM50 D9 48/60S | No       | 0% (digital)      |
| 910925866774 | BGP283 LED200-4S/740 I DX10 ALU 48/60S | No       | 0% (digital)      |
| 910925868105 | BGP291 LED51-4S/730 II DM50 MSP 48/60S | No       | Programmable      |

| Order Code   | Full Product Name                  | Dimmable | Maximum dim level |
|--------------|------------------------------------|----------|-------------------|
| 910925868106 | BGP291 LED51-4S/730 II DM50 48/60S | No       | Programmable      |

## Mechanical and Housing

| Order Code   | Full Product Name                       | Mech. impact protection code |
|--------------|---|------------------------------|
| 910925868720 | BGP280 LED50-1F/740 I DM10 48/60S       | IK08                         |
| 910925866752 | BGP282 LED80-4S/740 I DM11 D948/60S     | IK09                         |
| 910925868107 | BGP292 LED100-4S/730 II DM50 MSP 48/60S | IK09                         |
| 910925868108 | BGP292 LED100-4S/730 II DM50 48/60S     | IK09                         |
| 910925866440 | BGP283 LED240-4S/740 I DM11 48/60S      | IK09                         |

| Order Code   | Full Product Name                      | Mech. impact protection code |
|--------------|--|------------------------------|
| 910925866684 | BGP283 LED120-4S/740 II DM50 D9 48/60S | IK09                         |
| 910925866774 | BGP283 LED200-4S/740 I DX10 ALU 48/60S | IK09                         |
| 910925868105 | BGP291 LED51-4S/730 II DM50 MSP 48/60S | IK09                         |
| 910925868106 | BGP291 LED51-4S/730 II DM50 48/60S     | IK09                         |

## Over Time Performance (IEC Compliant)

| Order Code   | Full Product Name                       | Driver failure rate at 5000 h |
|--------------|---|-------------------------------|
| 910925868720 | BGP280 LED50-1F/740 I DM10 48/60S       | -                             |
| 910925866752 | BGP282 LED80-4S/740 I DM11 D948/60S     | 0.5 %                         |
| 910925868107 | BGP292 LED100-4S/730 II DM50 MSP 48/60S | -                             |
| 910925868108 | BGP292 LED100-4S/730 II DM50 48/60S     | -                             |
| 910925866440 | BGP283 LED240-4S/740 I DM11 48/60S      | 0.5 %                         |

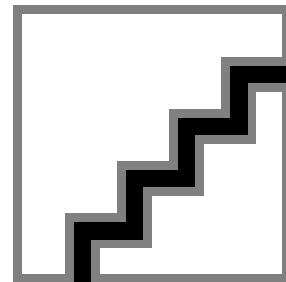
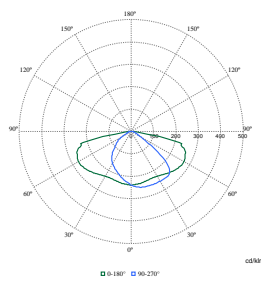
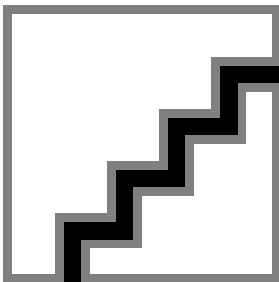
| Order Code   | Full Product Name                      | Driver failure rate at 5000 h |
|--------------|--|-------------------------------|
| 910925866684 | BGP283 LED120-4S/740 II DM50 D9 48/60S | 0.5 %                         |
| 910925866774 | BGP283 LED200-4S/740 I DX10 ALU 48/60S | 0.5 %                         |
| 910925868105 | BGP291 LED51-4S/730 II DM50 MSP 48/60S | -                             |
| 910925868106 | BGP291 LED51-4S/730 II DM50 48/60S     | -                             |

## Product Data

| Order Code   | Full Product Name                       | Product family code |
|--------------|---|---------------------|
| 910925868720 | BGP280 LED50-1F/740 I DM10 48/60S       | BGP280              |
| 910925866752 | BGP282 LED80-4S/740 I DM11 D948/60S     | BGP282              |
| 910925868107 | BGP292 LED100-4S/730 II DM50 MSP 48/60S | BGP292              |
| 910925868108 | BGP292 LED100-4S/730 II DM50 48/60S     | BGP292              |
| 910925866440 | BGP283 LED240-4S/740 I DM11 48/60S      | BGP283              |

| Order Code   | Full Product Name                      | Product family code |
|--------------|--|---------------------|
| 910925866684 | BGP283 LED120-4S/740 II DM50 D9 48/60S | BGP283              |
| 910925866774 | BGP283 LED200-4S/740 I DX10 ALU 48/60S | BGP283              |
| 910925868105 | BGP291 LED51-4S/730 II DM50 MSP 48/60S | BGP291              |
| 910925868106 | BGP291 LED51-4S/730 II DM50 48/60S     | BGP291              |

## Polar Wide Diagrams

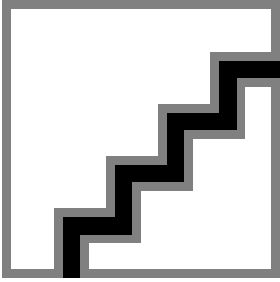


Polar Normal (separate) - BGP280I -  
910925868726

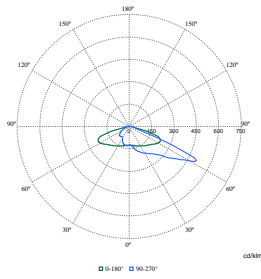
Polar Normal (separate) - BGP283I -  
910925866452

Polar Normal (separate) - BGP283I -  
910925866684

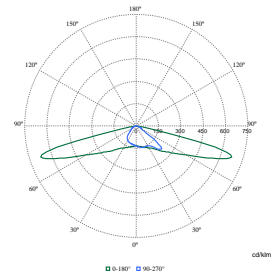
Polar Wide Diagrams



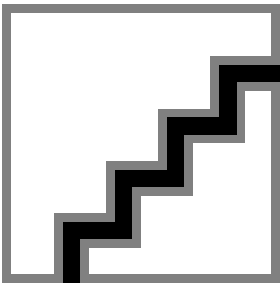
Polar Normal (separate) - BGP282I - 910925866752



Polar Normal (separate) - BGP283I - 910925866774



Polar Normal (separate) - BGP281I - 910925868105



Polar Normal (separate) - BGP282I - 910925868107

