



The easy way to ledify your road lighting – UniStreet gen2

UniStreet gen2

Designed for ledification projects, the UniStreet gen2 is the ideal 1:1 luminaire replacement for municipalities. Thanks to its high efficiency and low initial cost, the UniStreet gen2 luminaire enables a fast payback and significant savings in terms of energy consumption within a short period of time. The ease of installation and maintenance is enabled by the Philips Service tag and the Philips SR (System Ready) Zhaga socket(s) makes it future-ready, and you can pair this luminaire with lighting control or sensors and software applications such as Interact City. Available with a significant number of different optics and lumen packages that can even be tuned further to fit exact project requirements, UniStreet gen2 is a true point-to-point replacement solution for conventional or generation 1 LED light sources. The compact luminaire, using high-quality materials is also easy to dismantle and recycle at the end of its lifetime.

Benefits

- 1 to 1 replacement for conventional luminaires
- Offers high efficiency and energy savings
- Made of high-quality materials for longer lifetime and minimized maintenance

Features

- Good application coverage thanks to wide range of optics, tunable flux and tiltable spigot
- Easy luminaire identification due to the Service tag
- Future-ready thanks to the SR (System Ready) socket
- Luminaire is also equipped with dedicated light recipes that help with: 1) maintaining an optimal ecosystems for bats or 2) preserving a dark night sky and reduce light pollution
- Increased shock resistance with optional IK09 glass cover

UniStreet gen2

Application

- Roads and streets
- Residential streets

Versions

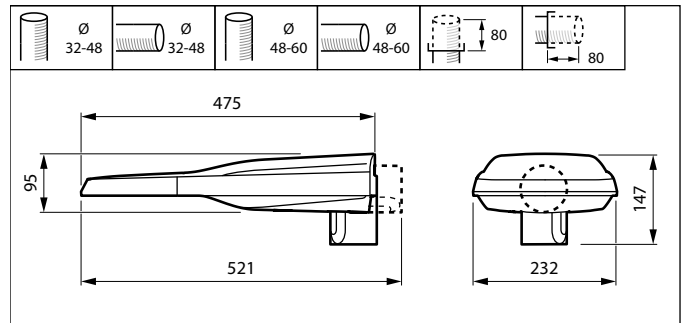
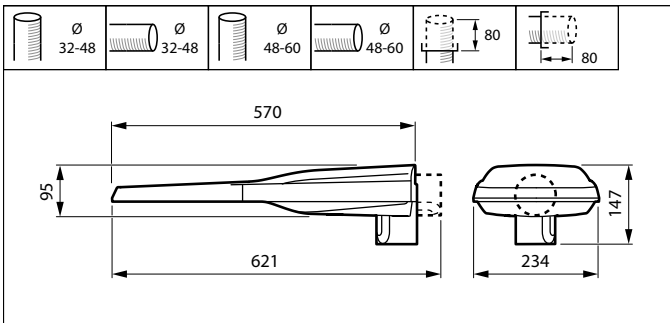
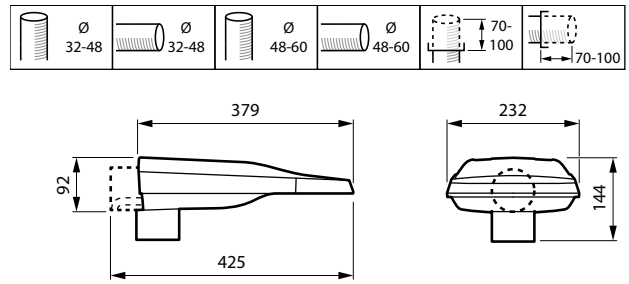
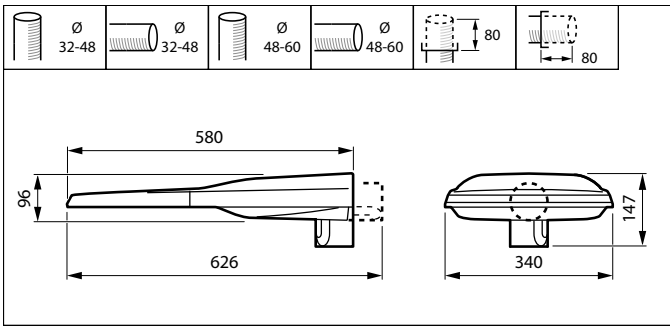


UniStreet LumiStreet gen2 Nano

LumiStreet/UniStreet gen2 Mini

LumiStreet/UniStreet gen2 Medium

Dimensional drawing



UniStreet gen2

Product details

UniStreet LumiStreet gen2 Nano
top side view with Zhaga sockets



UniStreet_LumiStreet_gen2



UniStreet LumiStreet gen2 Nano
profile view

UniStreet_LumiStreet_gen2



UniStreet_LumiStreet_gen2

UniStreet LumiStreet gen2 Nano
gear compartment



UniStreet_LumiStreet_gen2

UniStreet_LumiStreet_gen2

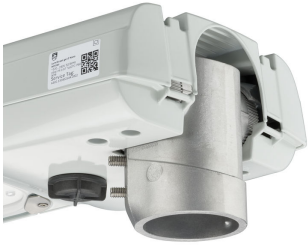


UniStreet_LumiStreet_gen2



UniStreet gen2

Product details



UniStreet LumiStreet gen2 Nano
spigot view



Bottom view for spigot regulation
and screw



UniStreet LumiStreet gen2 Nano
spigot view



UniStreet LumiStreet gen2 Nano
profile view with Zhaga sockets



UniStreet_LumiStreet_gen2



UniStreet LumiStreet gen2 Nano
top view



UniStreet LumiStreet gen2 Nano
bottom view



UniStreet LumiStreet gen2 Nano
bottom view with louvre



UniStreet LumiStreet gen2 Nano
gear compartment



UniStreet LumiStreet gen2 Nano
gear compartment

Product details

UniStreet_LumiStreet_gen2



UniStreet_LumiStreet_gen2



General Information

Driver included	Yes
Light source replaceable	Yes
Number of gear units	1 unit
Service tag	Yes

Light Technical

Color rendering index (CRI)	70
Upward light output ratio	0

Operating and Electrical

Surge Protection (Common/Differential)	Surge protection level until 6 kV differential mode and 8 kV common mode
--	--

Mechanical and Housing

Optical cover type	Flat glass
Housing Color	Gray
Ingress protection code	IP66
Standard tilt angle side entry	0°
Standard tilt angle posttop	0°

Approval and Application

CE mark	Yes
Flammability mark	For mounting on normally flammable surfaces

General Information

Order Code	Full Product Name	Lamp family code
910925868720	BGP280 LED50-1F/740 I DM10 48/60S	LED50
910925866752	BGP282 LED80-4S/740 I DM11 D948/60S	LED80
910925868107	BGP292 LED100-4S/730 II DM50 MSP 48/60S	LED100
910925868108	BGP292 LED100-4S/730 II DM50 48/60S	LED100
910925866684	BGP283 LED120-4S/740 II DM50 D9 48/60S	LED120
910925868105	BGP291 LED51-4S/730 II DM50 MSP 48/60S	LED51
910925868106	BGP291 LED51-4S/730 II DM50 48/60S	LED51

Light Technical (1/2)

Order Code	Full Product Name	Luminaire light beam spread	Light source color	Correlated Color	
				Temperature (Nom)	Luminous Flux
910925868720	BGP280	157° - 33° x	740	4000 K	4,100 lm
	LED50-1F/740 I	55°	neutral		
	DM10 48/60S		white		
910925866752	BGP282	160° - 42° x	740	4000 K	6,960 lm
	LED80-4S/740 I	54°	neutral		
	DM11 D948/60S		white		
910925868107	BGP292	154° - 31° x	730	3000 K	8,600 lm
	LED100-4S/730 I	54°	warm		
	II DM50 MSP 48/60S		white		
910925868108	BGP292	154° - 31° x	730	3000 K	8,600 lm
	LED100-4S/730 I	54°	warm		
	II DM50 48/60S		white		

Order Code	Full Product Name	Luminaire light beam spread	Light source color	Correlated Color	
				Temperature (Nom)	Luminous Flux
910925866684	BGP283	154° - 31° x	740	4000 K	10,440 lm
	LED120-4S/740 I	54°	neutral		
	II DM50 D9 48/60S		white		
910925868105	BGP291	154° - 31° x	730	3000 K	4,524 lm
	LED51-4S/730 II	54°	warm		
	DM50 MSP 48/60S		white		
910925868106	BGP291	154° - 31° x	730	3000 K	4,524 lm
	LED51-4S/730 II	54°	warm		
	DM50 48/60S		white		

Light Technical (2/2)

Order Code	Full Product Name	Optic type outdoor
910925868720	BGP280 LED50-1F/740 I DM10 48/60S	Distribution medium 10
910925866752	BGP282 LED80-4S/740 I DM11 D948/60S	Distribution medium 11
910925868107	BGP292 LED100-4S/730 II DM50 MSP 48/60S	Distribution medium 50
910925868108	BGP292 LED100-4S/730 II DM50 48/60S	Distribution medium 50

Order Code	Full Product Name	Optic type outdoor
910925866684	BGP283 LED120-4S/740 II DM50 D9 48/60S	Distribution medium 50
910925868105	BGP291 LED51-4S/730 II DM50 MSP 48/60S	Distribution medium 50
910925868106	BGP291 LED51-4S/730 II DM50 48/60S	Distribution medium 50

Operating and Electrical

Order Code	Full Product Name	Power Consumption
910925868720	BGP280 LED50-1F/740 I DM10 48/60S	31 W
910925866752	BGP282 LED80-4S/740 I DM11 D948/60S	47 W
910925868107	BGP292 LED100-4S/730 II DM50 MSP 48/60S	61 W
910925868108	BGP292 LED100-4S/730 II DM50 48/60S	61 W

Order Code	Full Product Name	Power Consumption
910925866684	BGP283 LED120-4S/740 II DM50 D9 48/60S	67 W
910925868105	BGP291 LED51-4S/730 II DM50 MSP 48/60S	32.5 W
910925868106	BGP291 LED51-4S/730 II DM50 48/60S	32.5 W

Controls and Dimming

Order Code	Full Product Name	Dimmable	Maximum dim level
910925868720	BGP280 LED50-1F/740 I DM10 48/60S	No	0% (digital)
910925866752	BGP282 LED80-4S/740 I DM11 D948/60S	Yes	0% (digital)
910925868107	BGP292 LED100-4S/730 II DM50 MSP 48/60S	No	Programmable
910925868108	BGP292 LED100-4S/730 II DM50 48/60S	No	Programmable

Order Code	Full Product Name	Dimmable	Maximum dim level
910925866684	BGP283 LED120-4S/740 II DM50 D9 48/60S	No	0% (digital)
910925868105	BGP291 LED51-4S/730 II DM50 MSP 48/60S	No	Programmable
910925868106	BGP291 LED51-4S/730 II DM50 48/60S	No	Programmable

Mechanical and Housing

Order Code	Full Product Name	Mech. impact protection code
910925868720	BGP280 LED50-1F/740 I DM10 48/60S	IK08
910925866752	BGP282 LED80-4S/740 I DM11 D948/60S	IK09

Order Code	Full Product Name	Mech. impact protection code
910925868107	BGP292 LED100-4S/730 II DM50 MSP 48/60S	IK09
910925868108	BGP292 LED100-4S/730 II DM50 48/60S	IK09

Order Code	Full Product Name	Mech. impact protection code
910925866684	BGP283 LED120-4S/740 II DM50 D9 48/60S	IK09
910925868105	BGP291 LED51-4S/730 II DM50 MSP 48/60S	IK09

Order Code	Full Product Name	Mech. impact protection code
910925868106	BGP291 LED51-4S/730 II DM50 48/60S	IK09

Over Time Performance (IEC Compliant)

Order Code	Full Product Name	Driver failure rate at 5000 h
910925868720	BGP280 LED50-1F/740 I DM10 48/60S	-
910925866752	BGP282 LED80-4S/740 I DM11 D948/60S	0.5 %
910925868107	BGP292 LED100-4S/730 II DM50 MSP 48/60S	-
910925868108	BGP292 LED100-4S/730 II DM50 48/60S	-

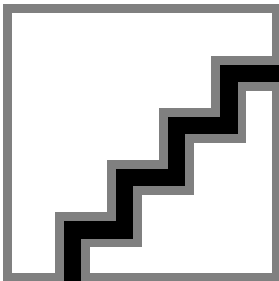
Order Code	Full Product Name	Driver failure rate at 5000 h
910925866684	BGP283 LED120-4S/740 II DM50 D9 48/60S	0.5 %
910925868105	BGP291 LED51-4S/730 II DM50 MSP 48/60S	-
910925868106	BGP291 LED51-4S/730 II DM50 48/60S	-

Product Data

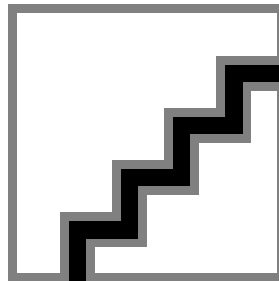
Order Code	Full Product Name	Product family code
910925868720	BGP280 LED50-1F/740 I DM10 48/60S	BGP280
910925866752	BGP282 LED80-4S/740 I DM11 D948/60S	BGP282
910925868107	BGP292 LED100-4S/730 II DM50 MSP 48/60S	BGP292
910925868108	BGP292 LED100-4S/730 II DM50 48/60S	BGP292

Order Code	Full Product Name	Product family code
910925866684	BGP283 LED120-4S/740 II DM50 D9 48/60S	BGP283
910925868105	BGP291 LED51-4S/730 II DM50 MSP 48/60S	BGP291
910925868106	BGP291 LED51-4S/730 II DM50 48/60S	BGP291

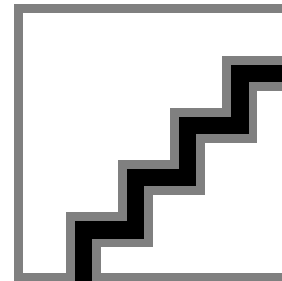
Polar Wide Diagrams



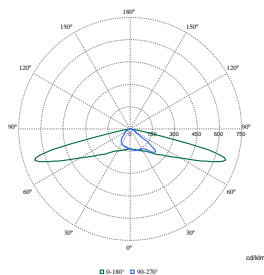
Polar Normal (separate) - BGP280I - 910925868726



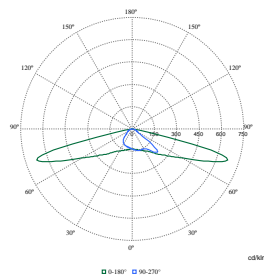
Polar Normal (separate) - BGP283I - 910925866684



Polar Normal (separate) - BGP282I - 910925866752



Polar Normal (separate) - BGP281I - 910925868105



Polar Normal (separate) - BGP282I - 910925868107

