



TubePoint Gen 2: versatile, high performance and long-lasting tunnel lighting

Many tunnel authorities have outdated tunnel lighting installations that urgently need replacing, but have only a limited budget to achieve it. TubePoint Gen2 is the perfect solution. It's the cost-effective solution that's the result of years of experience in tunnel lighting and underpass lighting, combined with the latest technologies. With its modular design and state-of-the-art LED architecture, TubePoint Gen2 is a versatile, cost-effective luminaire that meets the most stringent tunnel lighting requirements. Manufactured from the highest-quality components that are specifically designed for tunnels, these tunnel luminaires promise a long lifetime, great performance and low maintenance costs. The lighting efficiency and wide choice of optics means the number of luminaires required for an installation can be reduced significantly compared with conventional solutions. And a high lumen per watt ratio at system level improves the total cost of ownership. TubePoint Gen2 is part of the TotalTunnel

solution for complete tunnel lighting. A solution you can trust for versatile, high performance lighting in traffic tunnels.

Benefits

- Versatile luminaire range suitable all types of traffic tunnels
- Economical LED solution for point source tunnel lighting schemes
- High performance and efficient
- Quick and easy mounting

Applications

- Tunnel
- Underpass

Versions

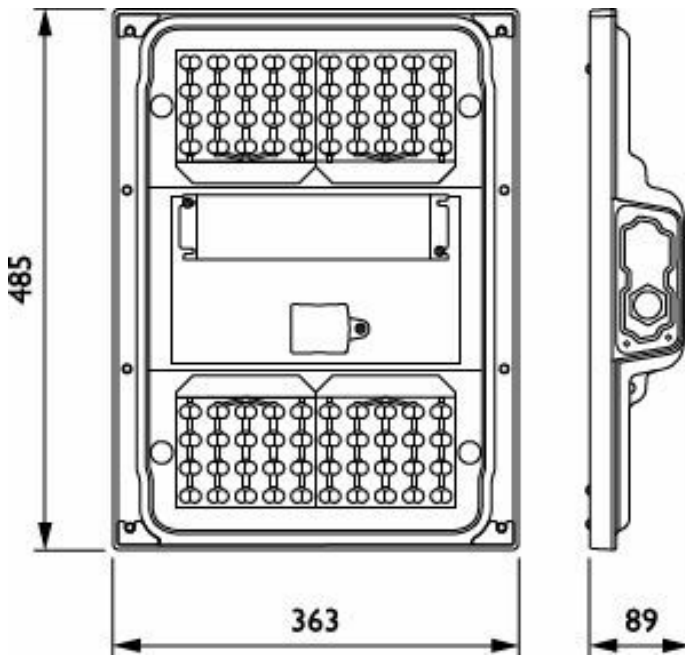
TubePoint GEN2-BGP235



Features

- Wide range of optics and lumen packages
- Mounting and connectivity options
- Option of a remote driver
- Compatible with tunnel controls from and third parties
- Service tag: QR-based identification for maintenance, installation and spare part information

Dimensional drawing



TubePoint GEN2 Small - LED module 3000 lm

Product details



TubePoint_GEN2-
BGP235_MB-DPP.TIF



TubePoint_GEN2-
BGP235-1DPP.TIF



TubePoint_GEN2-
BGP235_MBQ-S-2DPP.TIF



TubePoint_GEN2-
BGP235_MBQ_M-DPP.TIF



TubePoint_GEN2-
BGP235_BA_SO-8DPP.TIF



TubePoint_GEN2-
BGP235_MBQ_S-DPP.TIF

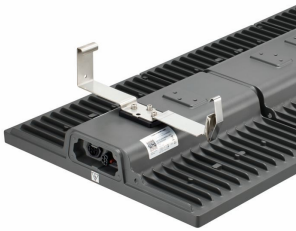
TubePoint_GEN2-
BGP235-2DPP.TIF



TubePoint_GEN2-
BGP235_BA-DPP.TIF



TubePoint_GEN2-
BGP235_MBQ_L-DPP.TIF



TubePoint_GEN2-
BGP235_MBA-DPP.TIF



General Information

Lamp family code	LED30 [LED module 3000 lm]
Light source replaceable	Yes
Number of gear units	1 unit
Driver included	Yes
Service tag	Yes

Light Technical

Upward light output ratio	0
Luminous Flux	2,520 lm
Correlated Color Temperature (Nom)	4000 K
Color rendering index (CRI)	70
Number of light sources	20
Light source color	740 neutral white
Luminaire light beam spread	101° x 158°
Optic type outdoor	Distribution symmetrical medium 11

Operating and Electrical

Power Consumption	18.8 W
Surge Protection (Common/Differential)	Surge protection level until 6 kV differential mode and 6 kV common mode

Controls and Dimming

Dimmable	Yes
Maximum dim level	10%

Mechanical and Housing

Housing Color	Dark gray
Ingress protection code	IP66 [Dust penetration-protected, jet-proof]
Mech. impact protection code	IK09 [10 J]
Standard tilt angle posttop	-
Standard tilt angle side entry	0°
Optical cover type	Flat glass

Approval and Application

Flammability mark	For mounting on normally flammable surfaces
CE mark	Yes

Over Time Performance (IEC Compliant)

Driver failure rate at 5000 h	0.53 %
-------------------------------	--------

Product Data

Product family code	BGP235 [TUBEPOINT GEN2 SMALL]
---------------------	-------------------------------

