



TubePoint Gen 2: versatile, high performance and long-lasting tunnel lighting

TubePoint gen2

Many tunnel authorities have outdated tunnel lighting installations that urgently need replacing, but have only a limited budget to achieve it. TubePoint Gen2 is the perfect solution. It's the cost-effective solution that's the result of years of experience in tunnel lighting and underpass lighting, combined with the latest technologies. With its modular design and state-of-the-art LED architecture, TubePoint Gen2 is a versatile, cost-effective luminaire that meets the most stringent tunnel lighting requirements. Manufactured from the highest-quality components that are specifically designed for tunnels, these tunnel luminaires promise a long lifetime, great performance and low maintenance costs. The lighting efficiency and wide choice of optics means the number of luminaires required for an installation can be reduced significantly compared with conventional solutions. And a high lumen per watt ratio at system level improves the total cost of ownership. TubePoint Gen2 is part of the TotalTunnel solution for complete tunnel lighting. A solution you can trust for versatile, high-performance lighting in traffic tunnels.

Benefits

- A versatile luminaire range suitable for all types of traffic tunnels
- Economical LED solution for point-source tunnel lighting schemes
- High performance and efficiency
- Quick and easy mounting

TubePoint gen2

Features

- Wide range of optics and lumen packages
- Mounting and connectivity options
- Option of a remote driver
- Compatible with tunnel controls from and third parties
- Service tag: QR-based identification for maintenance, installation and spare part information

Application

- Tunnel
- Underpass

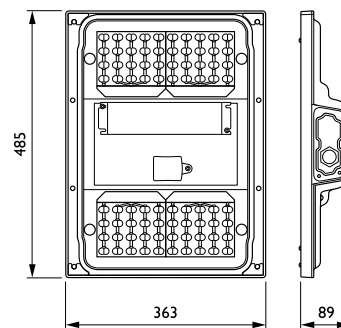
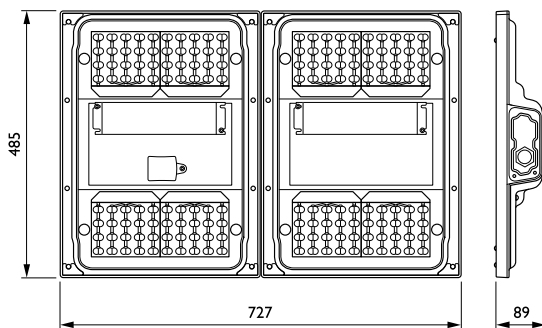
Versions



TubePoint GEN2-BGP235

TubePoint GEN2-BGP236

Dimensional drawing



TubePoint gen2

Product details



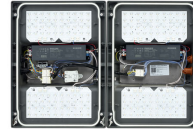
TubePoint_GEN2-BGP235_MB-DPP.TIF

TubePoint_GEN2-BGP235-1DPP.TIF



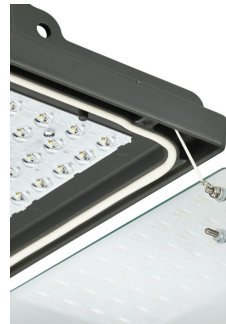
TubePoint_GEN2-BGP235_MBQ-S-2DPP.TIF

TubePoint_GEN2-BGP236-1DPP.TIF



TubePoint_GEN2-BGP235_MBQ_M-DPP.TIF

TubePoint_GEN2-BGP235_BA_SO-8DPP.TIF



TubePoint_GEN2-BGP235_MBQ_S-DPP.TIF

TubePoint_GEN2-BGP235-2DPP.TIF



TubePoint gen2

Product details



TubePoint_GEN2-BGP235_BA-DPP.TIF



TubePoint_GEN2-BGP235_MBQ_L-DPP.TIF



TubePoint_GEN2-BGP235_MBA-DPP.TIF



TubePoint_GEN2-BGP236-2DPP.TIF

TubePoint gen2

General Information

Driver included	Yes
Light source replaceable	Yes
Service Tag	Yes

Light Technical

Luminaire light beam spread	101° x 158°
Light source colour	740 neutral white
Correlated Colour Temperature (Nom)	4000 K
Colour rendering index (CRI)	70
Optic type outdoor	Distribution symmetrical medium 11
Upwards light output ratio	0

Operating and Electrical

Surge Protection (Common/Differential)	Surge protection level until 6 kV differential mode and 6 kV common mode
--	--

Controls and Dimming

Dimmable	Yes
Maximum dim level	10%

Mechanical and Housing

Optical cover type	Flat glass
Housing Colour	Dark grey
Mech. impact protection code	IK09
Ingress protection code	IP66
Standard tilt angle side entry	0°
Standard tilt angle post-top	-

Approval and Application

CE mark	Yes
Flammability mark	For mounting on normally flammable surfaces

Over Time Performance (IEC Compliant)

Driver failure rate at 5,000 hours	0.5 %
------------------------------------	-------

General Information

Order Code	Full Product Name	Lamp family code	Number of gear units
912300024112	BGP235 LED180-4S/740 DSM11 D9 MIO-CIO MB	LED180	Unit
912300024114	BGP236 LED360-4S/740 DSM11 D9 MIO-CIO MB	LED360	2 units

Light Technical

Order Code	Full Product Name	Luminous Flux	Number of light sources
912300024112	BGP235 LED180-4S/740 DSM11 D9 MIO-CIO MB	14,940 lm	56

Order Code	Full Product Name	Luminous Flux	Number of light sources
912300024114	BGP236 LED360-4S/740 DSM11 D9 MIO-CIO MB	29,880 lm	112

Operating and Electrical

TubePoint gen2

Order Code	Full Product Name	Power Consumption
912300024112	BGP235 LED180-4S/740 DSM11 D9 MIO-CIO MB	104 W

Order Code	Full Product Name	Power Consumption
912300024114	BGP236 LED360-4S/740 DSM11 D9 MIO-CIO MB	210 W

Product Data

Order Code	Full Product Name	Product family code
912300024112	BGP235 LED180-4S/740 DSM11 D9 MIO-CIO MB	BGP235

Order Code	Full Product Name	Product family code
912300024114	BGP236 LED360-4S/740 DSM11 D9 MIO-CIO MB	BGP236

