



## TubePoint Gen 2: versatile, high performance and long-lasting tunnel lighting

Many tunnel authorities have outdated tunnel lighting installations that urgently need replacing, but have only a limited budget to achieve it. TubePoint Gen2 is the perfect solution. It's the cost-effective solution that's the result of years of experience in tunnel lighting and underpass lighting, combined with the latest technologies. With its modular design and state-of-the-art LED architecture, TubePoint Gen2 is a versatile, cost-effective luminaire that meets the most stringent tunnel lighting requirements. Manufactured from the highest-quality components that are specifically designed for tunnels, these tunnel luminaires promise a long lifetime, great performance and low maintenance costs. The lighting efficiency and wide choice of optics means the number of luminaires required for an installation can be reduced significantly compared with conventional solutions. And a high lumen per watt ratio at system level improves the total cost of ownership. TubePoint Gen2 is part of the TotalTunnel

solution for complete tunnel lighting. A solution you can trust for versatile, high performance lighting in traffic tunnels.

## Benefits

- Versatile luminaire range suitable all types of traffic tunnels
- Economical LED solution for point source tunnel lighting schemes
- High performance and efficient
- Quick and easy mounting

## Applications

- Tunnel
- Underpass

## Versions

## Features

- Wide range of optics and lumen packages
- Mounting and connectivity options
- Option of a remote driver
- Compatible with tunnel controls from and third parties
- Service tag: QR-based identification for maintenance, installation and spare part information

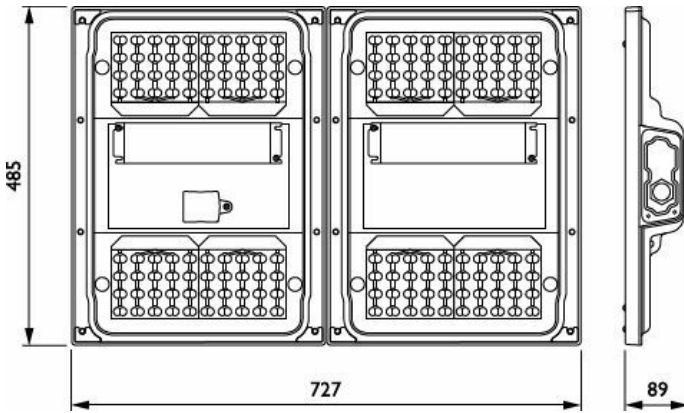
TubePoint GEN2-BGP235



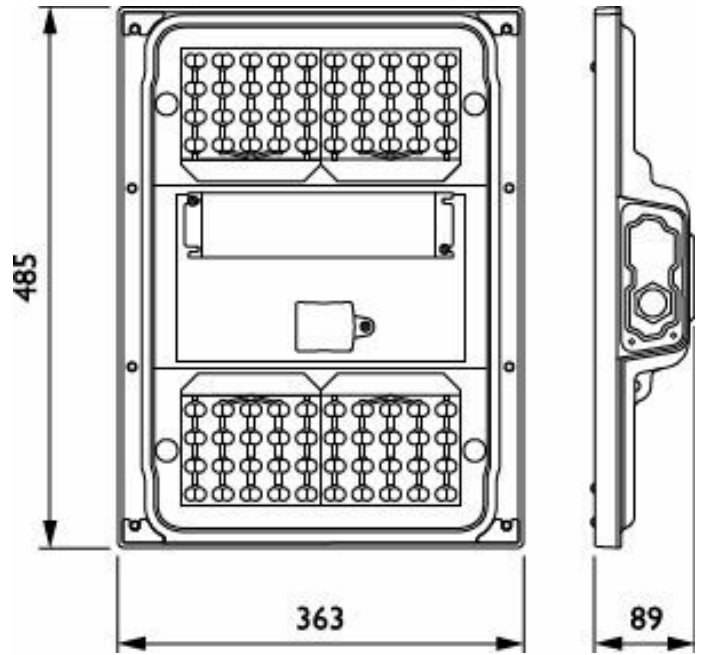
TubePoint GEN2-BGP236



## Dimensional drawing



TubePoint GEN2 Medium - LED module 36000 lm



TubePoint GEN2 Small - LED module 12000 lm

## Product details



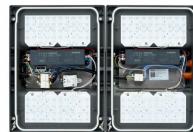
TubePoint\_GEN2-  
BGP235\_MB-DPP.TIF

TubePoint\_GEN2-  
BGP235-1DPP.TIF



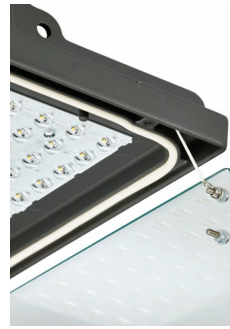
TubePoint\_GEN2-  
BGP235\_MBQ-S-2DPP.TIF

TubePoint\_GEN2-  
BGP236-1DPP.TIF





TubePoint\_GEN2-  
BGP235\_MBQ\_M-DPP.TIF



TubePoint\_GEN2-  
BGP235\_BA\_SO-8DPP.TIF



TubePoint\_GEN2-  
BGP235\_MBQ\_S-DPP.TIF



TubePoint\_GEN2-  
BGP235-2DPP.TIF



TubePoint\_GEN2-  
BGP235\_BA-DPP.TIF



TubePoint\_GEN2-  
BGP235\_MBQ\_L-DPP.TIF



TubePoint\_GEN2-  
BGP235\_MBA-DPP.TIF



TubePoint\_GEN2-  
BGP236-2DPP.TIF

### General Information

Light source replaceable	Yes
Driver included	Yes
Service tag	Yes

## Light Technical

Upward light output ratio	0
Correlated Color Temperature (Nom)	4000 K
Color rendering index (CRI)	70
Light source color	740 neutral white
Luminaire light beam spread	101° x 158°
Optic type outdoor	Distribution symmetrical medium 11

## Operating and Electrical

Surge Protection (Common/Differential)	Surge protection level until 6 kV differential mode and 6 kV common mode
----------------------------------------	--------------------------------------------------------------------------

## Controls and Dimming

Dimmable	Yes
Maximum dim level	10%

## Mechanical and Housing

Housing Color	Dark gray
Ingress protection code	IP66 [Dust penetration-protected, jet-proof]
Mech. impact protection code	IK09 [10 J]
Standard tilt angle posttop	-
Standard tilt angle side entry	0°
Optical cover type	Flat glass

## Approval and Application

Flammability mark	For mounting on normally flammable surfaces
CE mark	Yes

## General Information

Order Code	Full Product Name	Lamp family code	Number of gear units
48290900	BGP235 LED30-4S/740 DSM11 D9 MIO-CIO MBQ	LED30	1 unit
48291600	BGP235 LED50-4S/740 DSM11 D9 MIO-CIO MBQ	LED50	1 unit
48292300	BGP235 LED90-4S/740 DSM11 D9 MIO-CIO MBQ	LED90	1 unit
48293000	BGP235 LED120-4S/740 DSM11 D9 MIO-CIO MB	LED120	1 unit
48294700	BGP235 LED180-4S/740 DSM11 D9 MIO-CIO MB	LED180	1 unit
48296100	BGP236 LED360-4S/740 DSM11 D9 MIO-CIO MB	LED360	2 units

## Light Technical

Order Code	Full Product Name	Luminous Flux	Number of light sources
48290900	BGP235 LED30-4S/740 DSM11 D9 MIO-CIO MBQ	2,520 lm	20
48291600	BGP235 LED50-4S/740 DSM11 D9 MIO-CIO MBQ	4,200 lm	20
48292300	BGP235 LED90-4S/740 DSM11 D9 MIO-CIO MBQ	7,470 lm	28
48293000	BGP235 LED120-4S/740 DSM11 D9 MIO-CIO MB	9,840 lm	40
48294700	BGP235 LED180-4S/740 DSM11 D9 MIO-CIO MB	14,940 lm	56
48296100	BGP236 LED360-4S/740 DSM11 D9 MIO-CIO MB	29,880 lm	112

## Operating and Electrical

Order Code	Full Product Name	Power Consumption
48290900	BGP235 LED30-4S/740 DSM11 D9 MIO-CIO MBQ	18.8 W
48291600	BGP235 LED50-4S/740 DSM11 D9 MIO-CIO MBQ	31.5 W
48292300	BGP235 LED90-4S/740 DSM11 D9 MIO-CIO MBQ	53 W
48293000	BGP235 LED120-4S/740 DSM11 D9 MIO-CIO MB	73 W
48294700	BGP235 LED180-4S/740 DSM11 D9 MIO-CIO MB	104 W
48296100	BGP236 LED360-4S/740 DSM11 D9 MIO-CIO MB	210 W

## Over Time Performance (IEC Compliant)

Order Code	Full Product Name	Driver failure rate at 5000 h
48290900	BGP235 LED30-4S/740 DSM11 D9 MIO-CIO MBQ	0.53 %
48291600	BGP235 LED50-4S/740 DSM11 D9 MIO-CIO MBQ	0.5 %
48292300	BGP235 LED90-4S/740 DSM11 D9 MIO-CIO MBQ	0.5 %
48293000	BGP235 LED120-4S/740 DSM11 D9 MIO-CIO MB	0.5 %
48294700	BGP235 LED180-4S/740 DSM11 D9 MIO-CIO MB	0.5 %
48296100	BGP236 LED360-4S/740 DSM11 D9 MIO-CIO MB	0.5 %

## Product Data

Order Code	Full Product Name	Product family code
48290900	BGP235 LED30-4S/740 DSM11 D9 MIO-CIO MBQ	BGP235
48291600	BGP235 LED50-4S/740 DSM11 D9 MIO-CIO MBQ	BGP235
48292300	BGP235 LED90-4S/740 DSM11 D9 MIO-CIO MBQ	BGP235
48293000	BGP235 LED120-4S/740 DSM11 D9 MIO-CIO MB	BGP235
48294700	BGP235 LED180-4S/740 DSM11 D9 MIO-CIO MB	BGP235
48296100	BGP236 LED360-4S/740 DSM11 D9 MIO-CIO MB	BGP236