



Copenhagen City LED Gen2: comfortable, future-ready light for your city

Copenhagen City LED gen2 large & mega

The original Copenhagen luminaire was co-designed with Copenhagen's Office of City Architecture in the 1960s with the aim of enhancing the aesthetic appeal of the city through lighting. This timeless luminaire design comes in two types: Copenhagen City LED Gen2 is for city and residential areas where light comfort is important; Copenhagen LED Gen2 delivers high performance for road lighting applications. The second generation of Copenhagen City LED offers a very comfortable light distribution with minimum glare, enabled by a round LED engine, which follows the shape of the luminaire. The opal canopy option provides even more ways to enhance the impact of lighting. It is also perfect for city branding as it can be used to create both static and dynamic uplight with any color of light. The luminaire comes with a variety of suspensions and optics, offering maximum freedom in lighting design for downtown and residential area applications. It is also available with one or two Zhaga-D4i (ZD4i) System Ready (SR) sockets, which makes the luminaire future ready. This means Copenhagen City LED Gen2 is ready to pair with advanced control and lighting software applications such as Interact, or sensors such as the Outdoor Sensor Bundle (OSB). And because the top SR socket is integrated into the canopy, it has no impact on the beautiful, clean design of the luminaire. Furthermore, every Copenhagen City LED Gen2 BRS761, BRS762 and BRS763 luminaire is uniquely identifiable, thanks to the Signify Service tag app. By simply scanning a QR code, placed inside the door of the mast or directly on the luminaire, you can instantly access the configuration of the luminaire. This makes maintenance and programming operations faster and easier and enables you to create a digital library of lighting assets and spare parts.

Copenhagen City LED gen2 large & mega

Benefits

- Unique aesthetic design with perfect LED integration and excellent finishing
- Very comfortable lighting with lifted LED engine, round shape, and optional satin diffuser
- City branding possibilities via static and dynamic uplight options in choice of colors
- Future-ready with Zhaga-D4i SR sockets to connect with Interact controls and sensors
- Service tag for easy installation and maintenance

Features

- 3 sizes to fit all mounting heights (small, large, and mega) and possibilities: side entry, post-top, catenary, or central fixing
- Choice of color temperatures and color rendering for different ambiances: 2200K, 2700K, 3000K and 4000K
- Efficacy up to 157 lm/W
- Marine salt protection
- 5-year standard warranty (option to extend up to 10 years)

Application

- Major city roads (mega and large versions)
- Downtown, city center streets (large)
- Residential streets, car parks, pedestrian places, and parks (small)

Specifications

Type	BRS762: Side entry large	Installation	Side entry
	BDS762: Center, 3/4" thread suspended large		Center, 3/4" thread suspended
	BSS762: Wire suspended large		Wire suspended
	BRS763: Side entry mega	Correlated color temperature - CCT	722, 727, 730, 740, 827, 830, 840
	BDS763: Center, 3/4" thread suspended mega		
	BSS763: Wire suspended mega		
Material	88% bio-based polyethylene canopy		
	88% recycled aluminum bracket and heatsink		
	silk screen printed, tempered front glass		

Versions



Copenhagen City LED gen2 large
with center 3/4" thread fixation



Copenhagen City LED gen2 mega
with center 3/4" thread fixation

Copenhagen City LED gen2 large & mega

Versions

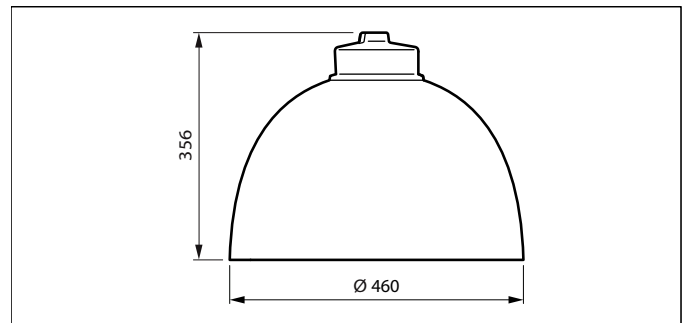
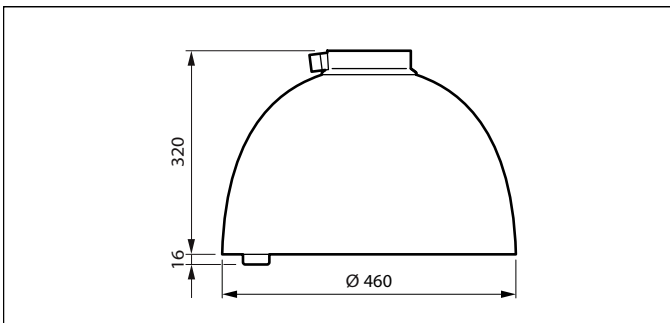
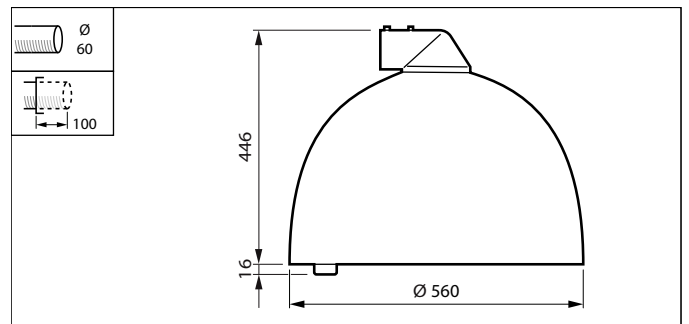
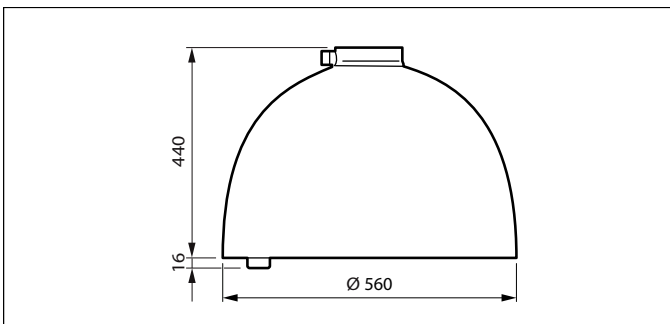
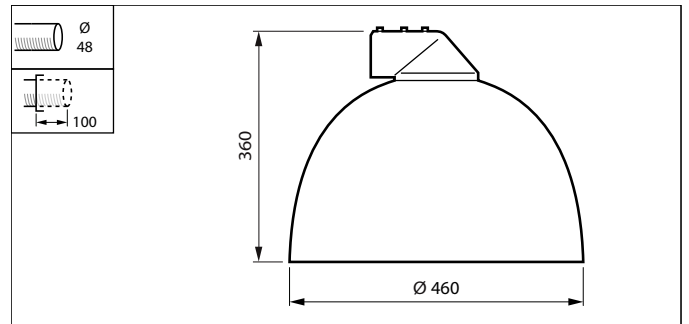
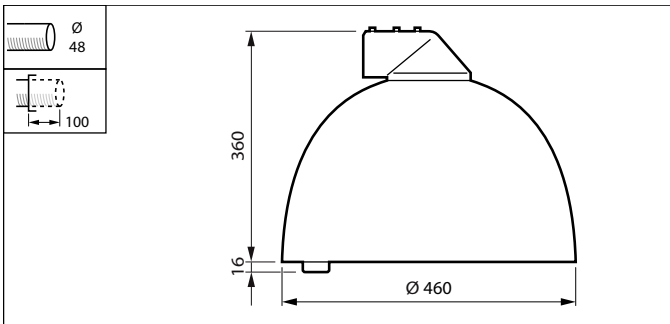


Copenhagen City LED gen2 large
side entry with bottom Zhaga
socket



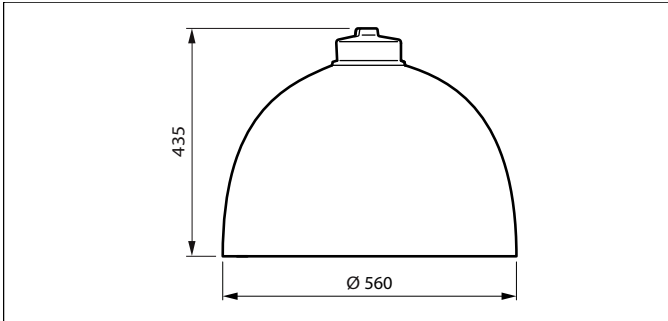
Copenhagen City LED gen2 large
with suspended fixation

Dimensional drawing



Copenhagen City LED gen2 large & mega

Dimensional drawing



General Information

Driver included	Yes
Light source replaceable	Yes
Number of gear units	1 unit
Service tag	Yes

Light Technical

Luminaire light beam spread	-
Optic type outdoor	Metronomis distribution wide
Upward light output ratio	0

Operating and Electrical

Surge Protection (Common/ Differential)	Surge protection level until 6 kV differential mode and 6 kV common mode
--	--

Controls and Dimming

Dimmable	Yes
----------	-----

Mechanical and Housing

Optical cover type	Flat glass
Ingress protection code	IP66
Standard tilt angle side entry	0°
Standard tilt angle posttop	0°

Approval and Application

CE mark	Yes
Flammability mark	-

General Information

Order Code	Full Product Name	Lamp family code
919008634402	BDS762 LED100/830II GL-MDW CLOLS850 C10K	LED100
919008634407	BDS763 LED110/830II GL-MDW CLOLS850 C10K	LED110
919008634409	BRS762 LED60/830IIGL-MDW CLO-LS850SRTB	LED60
919008634408	BSS763LED110/830 II GL-MDW CLOLS850 SRTB	LED110
919008634805	BRS763 LED140/727II GL-MDW SRTB 60S C10K	LED140
919008634806	BRS763 LED140/722 II MDW GR SRTB 10 60S	LED140
919008634401	BRS762 LED60/830II GL-MDW CLO-LS850 C10K	LED60
919008635354	BRS762 LED60/830 II MDW GR CLO-DDF12 10	LED60
919008634403	BSS762 LED100/830II GL-MDW CLOLS850 SRTB	LED100

Light Technical

Copenhagen City LED gen2 large & mega

Order Code	Full Product Name	Light source color	Correlated	Color	Luminous Flux
			Temperature (Nom)	rendering index (CRI)	
919008634402	BDS762 LED100/830II GL-MDW CLOLS850 C10K	830 warm white	3000 K	80	9,518 lm
919008634407	BDS763 LED110/830II GL-MDW CLOLS850 C10K	830 warm white	3000 K	80	10,545 lm
919008634409	BRS762 LED60/830IIGL-MDW CLO-LS850SRTB	830 warm white	3000 K	80	5,765 lm
919008634408	BSS763LED110/830 II GL-MDW CLOLS850 SRTB	830 warm white	3000 K	80	10,545 lm
919008634805	BRS763 LED140/727II GL-MDW SRTB 60S C10K	727 warm white	2700 K	70	13,604 lm

Order Code	Full Product Name	Light source color	Correlated	Color	Luminous Flux
			Temperature (Nom)	rendering index (CRI)	
919008634806	BRS763 LED140/722 II MDW GR SRTB 10 60S	722 warm white	2200 K	70	13,530 lm
919008634401	BRS762 LED60/830II GL-MDW CLO-LS850 C10K	830 warm white	3000 K	80	5,765 lm
919008635354	BRS762 LED60/830 II MDW GR CLO-DDF12 10	830 warm white	3000 K	80	5,765 lm
919008634403	BSS762 LED100/830II GL-MDW CLOLS850 SRTB	830 warm white	3000 K	80	9,518 lm

Operating and Electrical

Order Code	Full Product Name	Power Consumption
919008634402	BDS762 LED100/830II GL-MDW CLOLS850 C10K	71 W
919008634407	BDS763 LED110/830II GL-MDW CLOLS850 C10K	79 W
919008634409	BRS762 LED60/830IIGL-MDW CLO-LS850SRTB	44 W
919008634408	BSS763LED110/830 II GL-MDW CLOLS850 SRTB	81 W
919008634805	BRS763 LED140/727II GL-MDW SRTB 60S C10K	98 W

Order Code	Full Product Name	Power Consumption
919008634806	BRS763 LED140/722 II MDW GR SRTB 10 60S	116 W
919008634401	BRS762 LED60/830II GL-MDW CLO-LS850 C10K	43.5 W
919008635354	BRS762 LED60/830 II MDW GR CLO-DDF12 10	43.5 W
919008634403	BSS762 LED100/830II GL-MDW CLOLS850 SRTB	72 W

Controls and Dimming

Order Code	Full Product Name	Maximum dim level
919008634402	BDS762 LED100/830II GL-MDW CLOLS850 C10K	50%
919008634407	BDS763 LED110/830II GL-MDW CLOLS850 C10K	50%
919008634409	BRS762 LED60/830IIGL-MDW CLO-LS850SRTB	50%
919008634408	BSS763LED110/830 II GL-MDW CLOLS850 SRTB	50%
919008634805	BRS763 LED140/727II GL-MDW SRTB 60S C10K	-

Order Code	Full Product Name	Maximum dim level
919008634806	BRS763 LED140/722 II MDW GR SRTB 10 60S	-
919008634401	BRS762 LED60/830II GL-MDW CLO-LS850 C10K	50%
919008635354	BRS762 LED60/830 II MDW GR CLO-DDF12 10	-
919008634403	BSS762 LED100/830II GL-MDW CLOLS850 SRTB	50%

Mechanical and Housing

Order Code	Full Product Name	Housing	Mech. impact protection
		Color	code
919008634402	BDS762 LED100/830II GL-MDW CLOLS850 C10K	White	IK07
919008634407	BDS763 LED110/830II GL-MDW CLOLS850 C10K	White	IK08
919008634409	BRS762 LED60/830IIGL-MDW CLO-LS850SRTB	White	IK07

Order Code	Full Product Name	Housing	Mech. impact protection
		Color	code
919008634408	BSS763LED110/830 II GL-MDW CLOLS850 SRTB	White	IK08
919008634805	BRS763 LED140/727II GL-MDW SRTB 60S C10K	White	IK08
919008634806	BRS763 LED140/722 II MDW GR SRTB 10 60S	Gray	IK08

Copenhagen City LED gen2 large & mega

Order Code	Full Product Name	Housing Color	Mech. impact protection code
919008634401	BRS762 LED60/830II GL-MDW CLO-LS850 C10K	Housing Glow, bracket RAL 7035	IK07

Order Code	Full Product Name	Housing Color	Mech. impact protection code
919008635354	BRS762 LED60/830 II MDW GR CLO-DDF12 10	Gray	IK07
919008634403	BSS762 LED100/830II GL-MDW CLOLS850 SRTB	White	IK07

Over Time Performance (IEC Compliant)

Order Code	Full Product Name	Driver failure rate at 5000 h
919008634402	BDS762 LED100/830II GL-MDW CLOLS850 C10K	0.01 %
919008634407	BDS763 LED110/830II GL-MDW CLOLS850 C10K	0.01 %
919008634409	BRS762 LED60/830IIGL-MDW CLO-LS850SRTB	0.01 %
919008634408	BSS763LED110/830 II GL-MDW CLOLS850 SRTB	0.01 %
919008634805	BRS763 LED140/727II GL-MDW SRTB 60S C10K	-

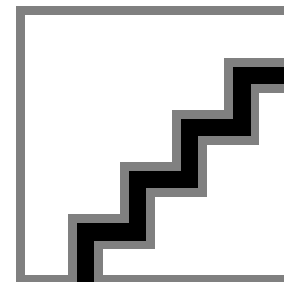
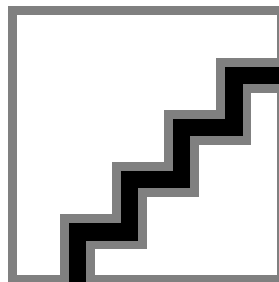
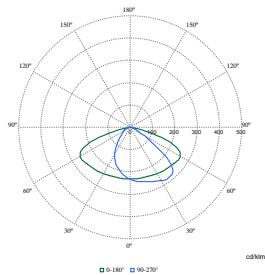
Order Code	Full Product Name	Driver failure rate at 5000 h
919008634806	BRS763 LED140/722 II MDW GR SRTB 10 60S	-
919008634401	BRS762 LED60/830II GL-MDW CLO-LS850 C10K	0.01 %
919008635354	BRS762 LED60/830 II MDW GR CLO-DDF12 10	-
919008634403	BSS762 LED100/830II GL-MDW CLOLS850 SRTB	0.01 %

Product Data

Order Code	Full Product Name	Product family code
919008634402	BDS762 LED100/830II GL-MDW CLOLS850 C10K	BDS762
919008634407	BDS763 LED110/830II GL-MDW CLOLS850 C10K	BDS763
919008634409	BRS762 LED60/830IIGL-MDW CLO-LS850SRTB	BRS762
919008634408	BSS763LED110/830 II GL-MDW CLOLS850 SRTB	BSS763
919008634805	BRS763 LED140/727II GL-MDW SRTB 60S C10K	BRS763

Order Code	Full Product Name	Product family code
919008634806	BRS763 LED140/722 II MDW GR SRTB 10 60S	BRS763
919008634401	BRS762 LED60/830II GL-MDW CLO-LS850 C10K	BRS762
919008635354	BRS762 LED60/830 II MDW GR CLO-DDF12 10	BRS762
919008634403	BSS762 LED100/830II GL-MDW CLOLS850 SRTB	BSS762

Polar Wide Diagrams



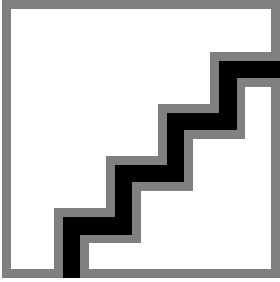
Polar Normal (separate) - BRS7621 - 919008634401

Polar Normal (separate) - BRS7621 - 919008634402

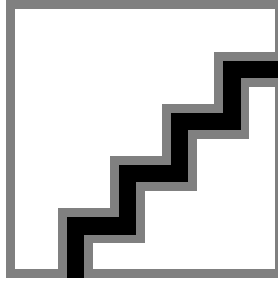
Polar Normal (separate) - BRS7621 - 919008634403

Copenhagen City LED gen2 large & mega

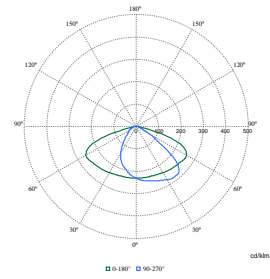
Polar Wide Diagrams



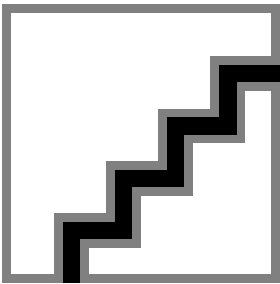
Polar Normal (separate) - BRS7631 -
919008634408



Polar Normal (separate) - BRS7631 -
919008634407



Polar Normal (separate) - BRS7631 -
919008634805



Polar Normal (separate) - BRS7621 -
919008635354

