



Copenhagen LED Gen2: timeless design and future-ready technology

Copenhagen LED gen2 large & mega

The original Copenhagen luminaire was co-designed with Copenhagen's Office of City Architecture in the 1960s with the aim of enhancing the aesthetic appeal of the city through lighting. This timeless luminaire design comes in two types: Copenhagen City LED Gen2 is for city and residential areas where light comfort is important; Copenhagen LED Gen2 delivers high performance for road lighting applications. The second generation of Copenhagen LED is available in a range of sizes, from mini to mega. This makes it suitable for any type of application while ensuring the dimensions of the luminaire and pole are well balanced, so every installation blends harmoniously into its surroundings. Various suspensions are available, allowing a variety of mounting options to provide maximum freedom during installation. Thanks to the built in LEDGINE-O engine, and the wide range of application-tailored optics, Copenhagen LED luminaires deliver the right amount of light and in the right direction on your street, enabling important energy savings. The luminaire is available with one or two Zhaga-D4i (ZD4i) System Ready (SR) sockets, which makes the luminaire future ready. This means Copenhagen LED Gen2 is ready to pair with advanced control and lighting software applications such as Interact, or sensors such as the Outdoor Sensor Bundle (OSB). And because the top SR socket is integrated into the canopy, it has no impact on the beautiful, clean design of the luminaire. Furthermore, every Copenhagen LED Gen2 BPS559, BRS561, BRS562 and BRS563 luminaire is uniquely identifiable, thanks to the Signify Service tag app. By simply scanning a QR code, placed inside the door of the mast or directly on the luminaire, you can instantly access the configuration of the luminaire. This makes maintenance and programming operations faster and easier and enables you to create a digital library of lighting assets and spare parts.

Copenhagen LED gen2 large & mega

Benefits

- Excellent energy savings and light distribution thanks to LEDGINE-O high system efficacy and a large choice of optics
- Future-ready with Zhaga-D4i SR sockets to connect with Interact controls and sensors
- Service tag for easy installation and maintenance

Features

- 4 sizes (mini, small, large, and mega) to fit all mounting heights and possibilities: side entry, wall-arm, post-top, catenary, or central fixing
- 50+ choice of beams, and internal louvers to match all configurations
- Choice of color temperatures and color rendering for different ambiances: 2200K, 2700K, 3000K and 4000K
- Efficacy up to 167 lm/W
- Marine salt protection
- 5-year standard warranty (option to extend up to 10 years)

Application

- Traffic roads: motorways, highways (mega and large versions)
- Large streets and industrial areas (large)
- Small streets and car parks (small)
- Cycle paths, footpaths, pedestrian crossings (mini)

Specifications

Type	BRS562: Side entry large	Material	88% bio-based polyethylene canopy
	BDS562: Center, 3/4" thread suspended large		88% recycled aluminum bracket and heatsink
	BSS562: Wire suspended large		silk screen printed, tempered front glass
	BRS563: Side entry mega	Correlated color temperature - CCT	722, 727, 730, 740, 827, 830, 840
	BDS563: Center, 3/4" thread suspended mega	Serviceability class	Class A
	BSS563: Wire suspended mega		

Versions



Copenhagen LED gen2 mega with center 3/4" thread fixation and bottom Zhaga socket



Copenhagen LED gen2 mega with center 3/4" thread fixation

Copenhagen LED gen2 large & mega

Versions

Copenhagen LED gen2 large side entry with bottom Zhaga socket



Copenhagen LED gen2 mega with suspended fixation



Copenhagen LED gen2 large side entry



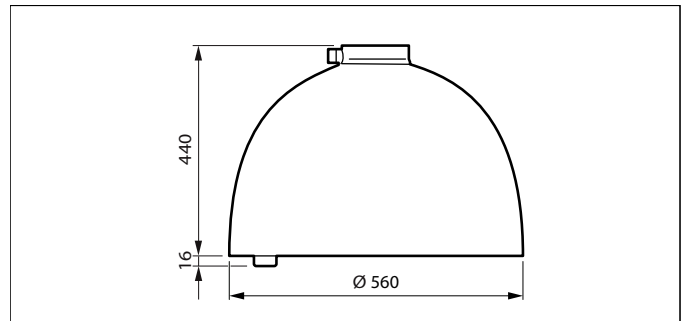
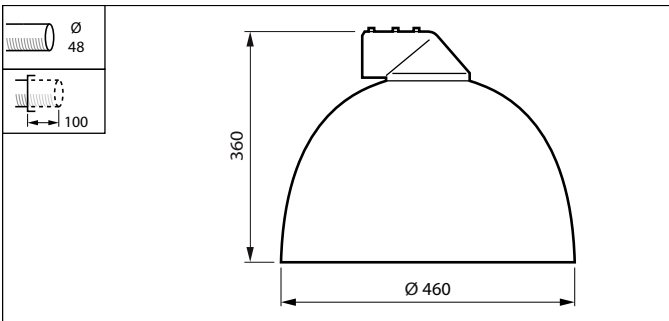
Copenhagen LED gen2 mega with suspended fixation



Copenhagen LED gen2 small with center 3/4" thread suspension

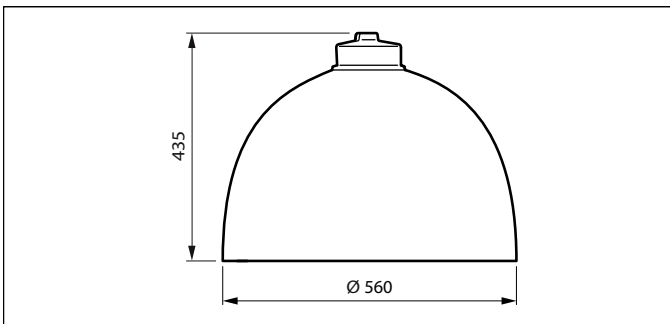
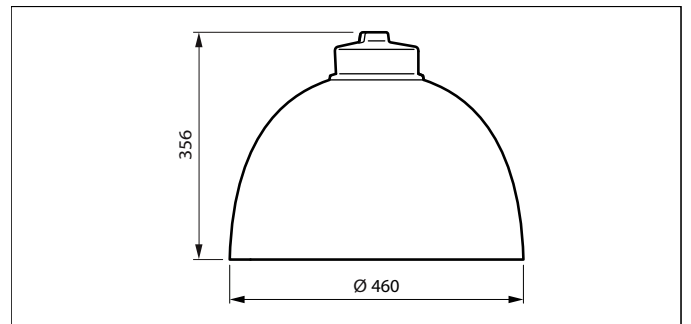
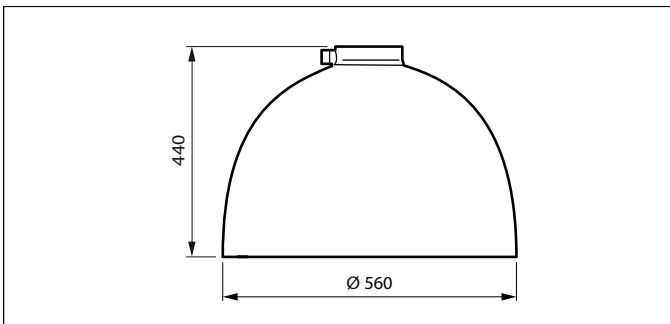
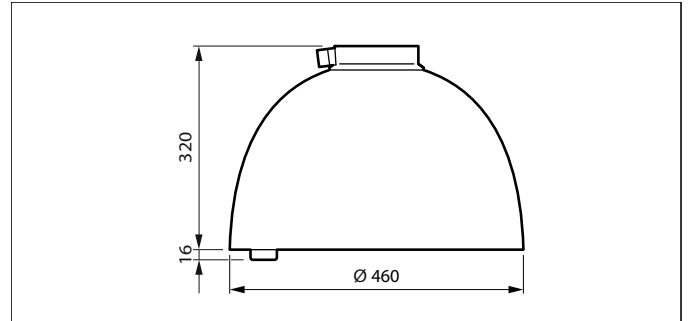
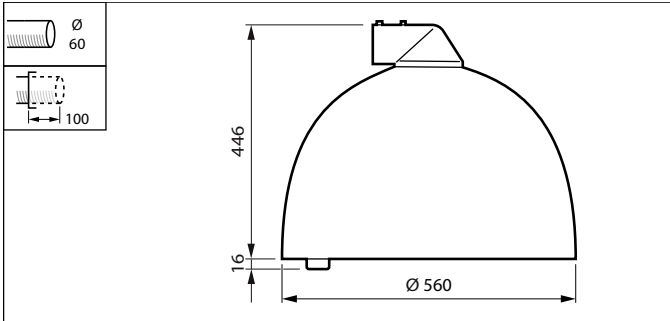


Dimensional drawing



Copenhagen LED gen2 large & mega

Dimensional drawing



Copenhagen LED gen2 large & mega

General Information

Driver included	Yes
Light source replaceable	Yes
Number of gear units	1 unit
Service tag	Yes

Light Technical

Luminaire light beam spread	-
Upward light output ratio	0

Mechanical and Housing

Optical cover type	Flat glass
Ingress protection code	IP66
Standard tilt angle side entry	0°
Standard tilt angle posttop	0°

Approval and Application

CE mark	Yes
Flammability mark	-

General Information

Order Code	Full Product Name	Lamp family code
919008634399	BSS562LED170/830IIGL-DM50CLO-LS850SRTB	LED170
919008634404	BDS563 LED100/830II GL-DM50CLOLS850 C10K	LED100
919008636280	BRS563LED120/740II DM31GR CLOSRTBC13K60S	120S
919008634405	BSS563LED230/830II GL-DM50 CLOLS850 SRTB	LED230
919008634939	BRS562 LED58/740 II DM11 GR CLO C10K FQQ	LED58
919008634406	BSS563 LED300/830IIGL-DM50 CLO-LS850C10K	LED300
919008634398	BDS562 LED170/830IIGL-DM50 CLO-LS850C10K	LED170

Light Technical (1/2)

Order Code	Full Product Name	Light source color	Correlated	Color	Luminous Flux
			Temperature (Nom)	rendering index (CRI)	
919008634399	BSS562LED170/830IIGL-DM50CLO-LS850SRTB	830 warm white	3000 K	80	15,306 lm
919008634404	BDS563 LED100/830II GL-DM50CLOLS850 C10K	830 warm white	3000 K	80	9,602 lm
919008636280	BRS563LED120/740II DM31GR CLOSRTBC13K60S	740 neutral white	4000 K	70	11,531 lm
919008634405	BSS563LED230/830II GL-DM50 CLOLS850 SRTB	830 warm white	3000 K	80	21,174 lm

Order Code	Full Product Name	Light source color	Correlated	Color	Luminous Flux
			Temperature (Nom)	rendering index (CRI)	
919008634939	BRS562 LED58/740 II DM11 GR CLO C10K FQQ	740 neutral white	4000 K	70	5,651 lm
919008634406	BSS563 LED300/830IIGL-DM50 CLO-LS850C10K	830 warm white	3000 K	80	27,306 lm
919008634398	BDS562 LED170/830IIGL-DM50 CLO-LS850C10K	830 warm white	3000 K	80	15,306 lm

Light Technical (2/2)

Order Code	Full Product Name	Optic type outdoor
919008634399	BSS562LED170/830IIGL-DM50CLO-LS850SRTB	Distribution medium 50
919008634404	BDS563 LED100/830II GL-DM50CLOLS850 C10K	Distribution medium 50
919008636280	BRS563LED120/740II DM31GR CLOSRTBC13K60S	Distribution medium 31
919008634405	BSS563LED230/830II GL-DM50 CLOLS850 SRTB	Distribution medium 50

Order Code	Full Product Name	Optic type outdoor
919008634939	BRS562 LED58/740 II DM11 GR CLO C10K FQQ	Distribution medium 11
919008634406	BSS563 LED300/830IIGL-DM50 CLO-LS850C10K	Distribution medium 50
919008634398	BDS562 LED170/830IIGL-DM50 CLO-LS850C10K	Distribution medium 50

Operating and Electrical

Copenhagen LED gen2 large & mega

Order Code	Full Product Name	Power	Surge Protection
		Consumption	(Common/Differential)
919008634399	BSS562LED170/830IIGL-DM50CLO-LS850SRTB	120 W	Surge protection level until 6 kV differential mode and 6 kV common mode
919008634404	BDS563 LED100/830II GL-DM50CLOLS850 C10K	71 W	Surge protection level until 6 kV differential mode and 6 kV common mode
919008636280	BRS563LED120/740II DM31GR CLOSRTBC13K60S	68 W	Surge protection level until 6 kV differential mode and 10 kV common mode
919008634405	BSS563LED230/830II GL-DM50 CLOLS850 SRTB	164 W	Surge protection level until 6 kV differential

Order Code	Full Product Name	Power	Surge Protection
		Consumption	(Common/Differential)
919008634939	BRS562 LED58/740 II DM11 GR CLO C10K FQQ	33.5 W	mode and 6 kV common mode
919008634406	BSS563 LED300/830IIGL-DM50 CLO-LS850C10K	210 W	Surge protection level until 6 kV differential mode and 6 kV common mode
919008634398	BDS562 LED170/830IIGL-DM50 CLO-LS850C10K	120 W	Surge protection level until 6 kV differential mode and 6 kV common mode

Controls and Dimming

Order Code	Full Product Name	Dimmable	Maximum dim
			level
919008634399	BSS562LED170/830IIGL-DM50CLO-LS850SRTB	Yes	50%
919008634404	BDS563 LED100/830II GL-DM50CLOLS850 C10K	Yes	-
919008636280	BRS563LED120/740II DM31GR CLOSRTBC13K60S	Yes	10%
919008634405	BSS563LED230/830II GL-DM50 CLOLS850 SRTB	Yes	-

Order Code	Full Product Name	Dimmable	Maximum dim
			level
919008634939	BRS562 LED58/740 II DM11 GR CLO C10K FQQ	No	-
919008634406	BSS563 LED300/830IIGL-DM50 CLO-LS850C10K	Yes	-
919008634398	BDS562 LED170/830IIGL-DM50 CLO-LS850C10K	Yes	50%

Mechanical and Housing

Order Code	Full Product Name	Housing Color	Mech. impact
			protection code
919008634399	BSS562LED170/830IIGL-DM50CLO-LS850SRTB	White	IK07
919008634404	BDS563 LED100/830II GL-DM50CLOLS850 C10K	White	IK08
919008636280	BRS563LED120/740II DM31GR CLOSRTBC13K60S	Gray	IK08
919008634405	BSS563LED230/830II GL-DM50 CLOLS850 SRTB	White	IK08

Order Code	Full Product Name	Housing Color	Mech. impact
			protection code
919008634939	BRS562 LED58/740 II DM11 GR CLO C10K FQQ	Gray	IK07
919008634406	BSS563 LED300/830IIGL-DM50 CLO-LS850C10K	White	IK08
919008634398	BDS562 LED170/830IIGL-DM50 CLO-LS850C10K	White	IK07

Over Time Performance (IEC Compliant)

Order Code	Full Product Name	Driver failure rate
		at 5000 h
919008634399	BSS562LED170/830IIGL-DM50CLO-LS850SRTB	0.01 %
919008634404	BDS563 LED100/830II GL-DM50CLOLS850 C10K	0.01 %
919008636280	BRS563LED120/740II DM31GR CLOSRTBC13K60S	-
919008634405	BSS563LED230/830II GL-DM50 CLOLS850 SRTB	0.01 %

Order Code	Full Product Name	Driver failure rate
		at 5000 h
919008634939	BRS562 LED58/740 II DM11 GR CLO C10K FQQ	-
919008634406	BSS563 LED300/830IIGL-DM50 CLO-LS850C10K	0.01 %
919008634398	BDS562 LED170/830IIGL-DM50 CLO-LS850C10K	0.01 %

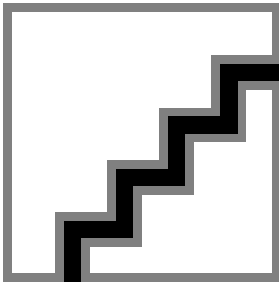
Copenhagen LED gen2 large & mega

Product Data

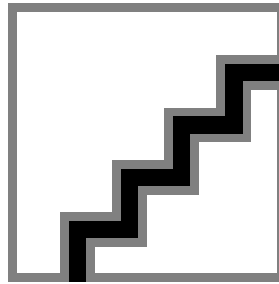
Order Code	Full Product Name	Product family code
919008634399	BSS562LED170/830IIGL-DM50CLO-LS850SRTB	BSS562
919008634404	BDS563 LED100/830II GL-DM50CLOLS850 C10K	BDS563
919008636280	BRS563LED120/740II DM31GR CLOSRTBC13K60S	BRS563
919008634405	BSS563LED230/830II GL-DM50 CLOLS850 SRTB	BSS563

Order Code	Full Product Name	Product family code
919008634939	BRS562 LED58/740 II DM11 GR CLO C10K FQQ	BRS562
919008634406	BSS563 LED300/830IIGL-DM50 CLO-LS850C10K	BSS563
919008634398	BDS562 LED170/830IIGL-DM50 CLO-LS850C10K	BDS562

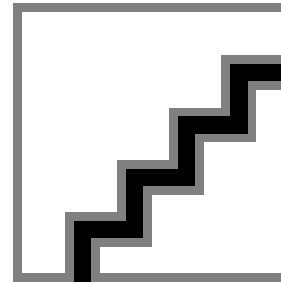
Polar Wide Diagrams



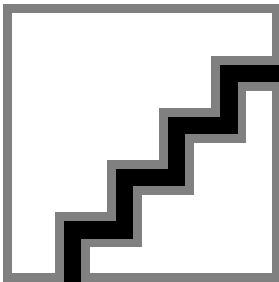
Polar Normal (separate) - BRS562I - 919008634399



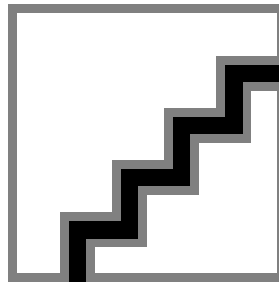
Polar Normal (separate) - BRS562I - 919008634398



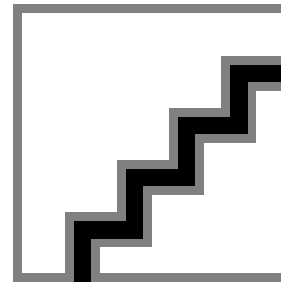
Polar Normal (separate) - BRS563I - 919008634404



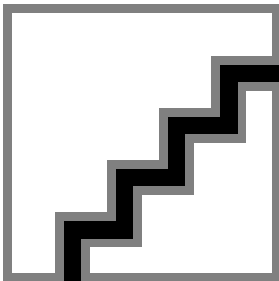
Polar Normal (separate) - BRS563I - 919008634406



Polar Normal (separate) - BRS563I - 919008634405



Polar Normal (separate) - BRS563I - 919008636280



Polar Normal (separate) - BRS562I - 919008634939

Copenhagen LED gen2 large & mega

