



Metronomis 1 LED: LEDify vision into reality

Metronomis 1 LED

Our family of five, highly distinctive Metronomis 1 LED luminaires is now available in LED. The award-winning Metronomis 1 LED range is designed to enhance Cambridge, Berlin, Bordeaux, Brussels and Porto luminaires with even greater lighting performance and efficiency. Architects and lighting designers can use these luminaires and dedicated poles and brackets with a wide variety of optics. So they can create a total city lighting solution with a consistent design that still reflects differences in urban culture and history. During the day, Metronomis 1 LED integrates harmoniously with any street scene. At night, its appearance is both functional – guiding people and traffic safely through the city – and decorative, creating a pleasant ambience in city squares and pedestrian areas. The Metronomis 1 LED street lighting solution features a System ready (SR) socket, making it future ready to be paired with standalone or advanced control and lighting software applications such as Interact from Signify. In addition, every Metronomis LED 1 luminaire is uniquely identifiable, thanks to the Signify Service tag app. By simply scanning a QR code, placed inside the door of the mast or directly on the luminaire, you can instantly access the configuration of the luminaire. This makes maintenance and programming operations faster and easier, and enables you to create a digital library of lighting assets and spare parts.

Benefits

- Original Metronomis design, contemporary, elegant and modular
- Saves 40 to 60% in energy costs compared to conventional luminaires
- For renovations or new installations thanks to dedicated brackets and poles
- Service tag for easy installation and maintenance

Metronomis 1 LED

Features

- Choice of Cambridge, Berlin, Bordeaux, Brussels and Porto versions
- A broad range of lumen outputs and optics for maximum efficiency at all lighting levels
- Dedicated Metronomis 1 brackets and poles
- Surge protection: 10 kV
- SR socket ready to be paired with standard and advanced lighting controls

Application

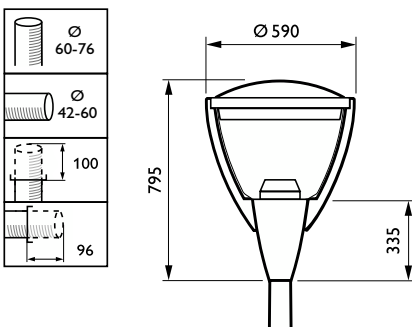
- Road and Street
- Parks and squares
- Residential
- Main urban roads and streets, side and residential roads and streets
- City centres and historical areas
- Cycle and pedestrian paths, squares, parks and playgrounds

Versions



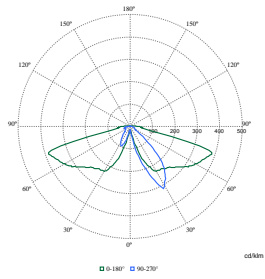
Metronomis 1 LED Berlin

Dimensional drawing



Metronomis 1 LED

Polar Wide Diagrams



Polar Normal (separate) - BDS500I -
912300024870

