



CityVario – Competitive and modular portfolio

Choose between five modular LED luminaires: Post Top, Asymmetric, Bowl, Suspended, and Catenary. Designed for competitive pricing, easy servicing, and sustainability. Featuring reusable components, reduced material waste, and improved lifecycle impact. These luminaires offers affordability, easy upgrades, and reduced material use, helping municipalities meet energy targets while maintaining classic aesthetics.

Benefits

- Low cost
- LEDGINE-O and Ledigine P platforms for best performance, choice color temperatures and light distributions
- Long lifetime: 100,000 hours @L90 and higher
- Easy access to gear, vandal resistant (IK10), high ingress protection (IP66)
- Complete EPD score

Applications

- Urban and residential areas
- Cycle paths, footpaths and pedestrian crossings
- City centers and squares
- Car parks

Features

- Competitive and modular portfolio
- Strong sustainability performance
- Cost-effective & future-ready

- Range of lumen packages (800 to 10000 lm) and CCTs (2200K, 2700K, 3000K, 4000K)
- Service tag for easy installation and maintenance
- N/A

Versions

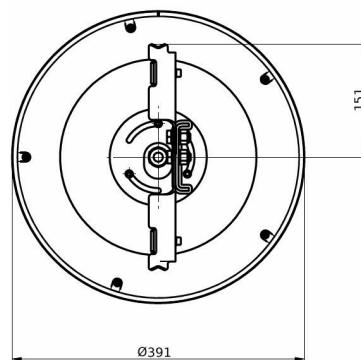
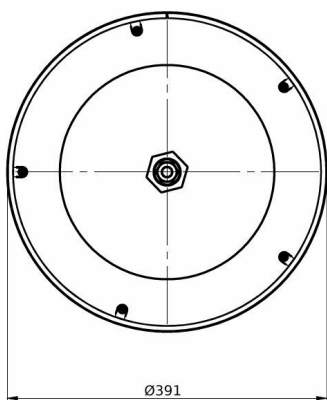
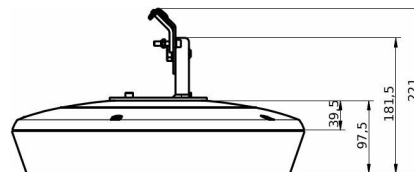
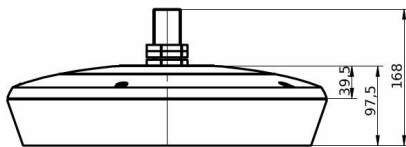


CityVario Suspended/
Catenar



CityVario Suspended/
Catenar

Dimensional drawing



BSS300 LED60/730-1P DM16P SRT G1

BSS301 LED60/730-1P DM16P SRT C

General Information

Lamp family code	LED60 [LED module 6000 lm]
Number of gear units	1 unit
Driver included	Yes

Light Technical

Upward light output ratio	0
Luminous Flux	5,127 lm
Correlated Color Temperature (Nom)	3000 K
Color rendering index (CRI)	70
Light source color	730 warm white
Luminaire light beam spread	50° - 4° × 123°
Optic type outdoor	Distribution medium version 24 Performance (for 5050)

Operating and Electrical

Surge Protection (Common/Differential)	-
--	---

Mechanical and Housing

Housing Color	Dark gray
Ingress protection code	IP66 [Dust penetration-protected, jet-proof]
Standard tilt angle posttop	-
Standard tilt angle side entry	-
Optical cover type	Glass

Emergency Operation

Central Emergency	No
-------------------	----

Approval and Application

Flammability mark	-
CE mark	Yes

Operating and Electrical

Order Code	Full Product Name	Power Consumption
36961100	BSS300 LED60/730-1P DM16P G1	33.1 W
36962800	BSS300 LED60/730-1P DM16P SRT G1	32.6 W
36963500	BSS301 LED60/730-1P DM16P C	33.1 W
36964200	BSS301 LED60/730-1P DM16P SRT C	32.6 W

Controls and Dimming

Order Code	Full Product Name	Dimmable
36961100	BSS300 LED60/730-1P DM16P G1	No
36962800	BSS300 LED60/730-1P DM16P SRT G1	Yes
36963500	BSS301 LED60/730-1P DM16P C	No
36964200	BSS301 LED60/730-1P DM16P SRT C	Yes

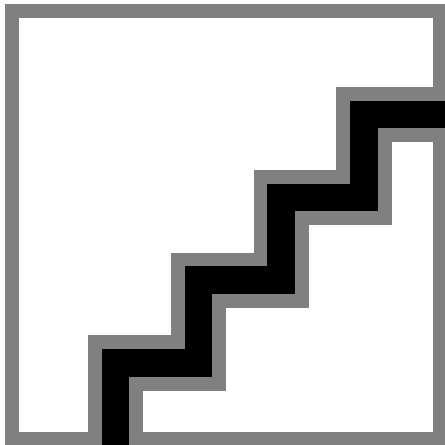
Mechanical and Housing

Order Code	Full Product Name	Mech. impact protection code
36961100	BSS300 LED60/730-1P DM16P G1	IK10
36962800	BSS300 LED60/730-1P DM16P SRT G1	IK09
36963500	BSS301 LED60/730-1P DM16P C	IK10
36964200	BSS301 LED60/730-1P DM16P SRT C	IK09

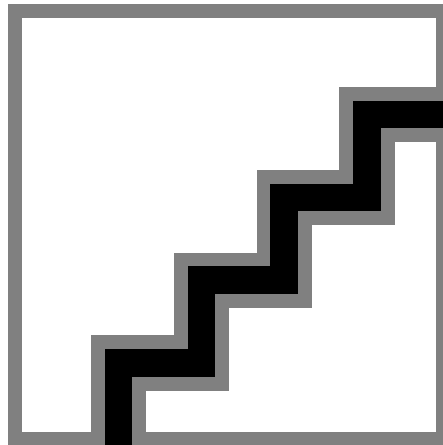
Product Data

Order Code	Full Product Name	Product family code
36961100	BSS300 LED60/730-1P DM16P G1	BSS300
36962800	BSS300 LED60/730-1P DM16P SRT G1	BSS300
36963500	BSS301 LED60/730-1P DM16P C	BSS301
36964200	BSS301 LED60/730-1P DM16P SRT C	BSS301

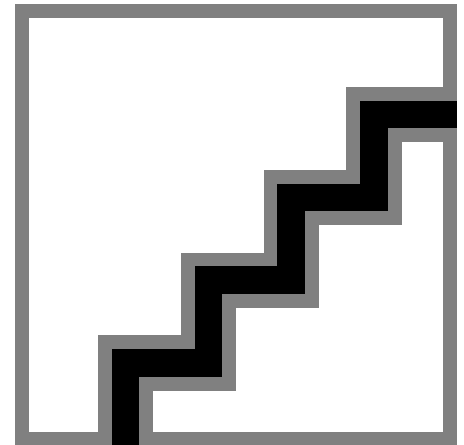
Polar normal diagrams



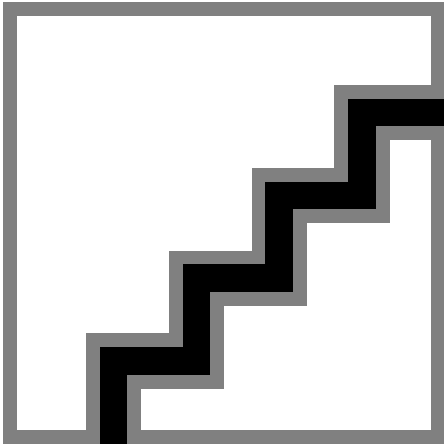
912300060806



912300060808



912300060807



912300060805