



CityVario

BDS300



CityVario – Competitive and modular portfolio

Choose between five modular LED luminaires: Post Top, Asymmetric, Bowl, Suspended, and Catenary. Designed for competitive pricing, easy servicing, and sustainability. Featuring reusable components, reduced material waste, and improved lifecycle impact. These luminaires offers affordability, easy upgrades, and reduced material use, helping municipalities meet energy targets while maintaining classic aesthetics.

Benefits

- Modular lighting family, Designed for cost efficiency, Built with sustainability in mind
- LEDGINE-O and Ledigine P platforms for best performance, choice color temperatures and light distributions
- Long lifetime: 100,000 hours @L90 and higher
- Easy access to gear, vandal resistant (IK10), high ingress protection (IP66)
- Complete EPD score

Applications

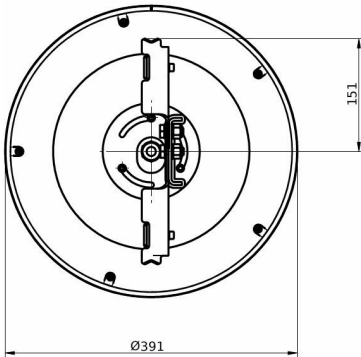
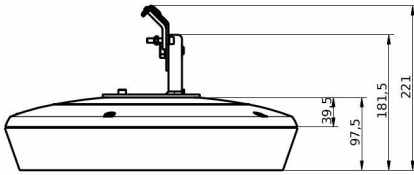
- Urban and residential areas
- Cycle paths, footpaths and pedestrian crossings

- City centers and squares
- Car parks

Features

- Competitive and modular portfolio
- Strong sustainability performance
- Cost-effective & future-ready
- Range of lumen packages (800 to 10000 lm) and CCTs (2200K, 2700K, 3000K, 4000K)
- Service tag for easy installation and maintenance
- N/A

Dimensional drawing



BSS301 LED60/730-1P DM16P C

General Information

Lamp family code	LED60 [LED module 6000 lm]
Number of gear units	1 unit
Driver included	Yes

Light Technical

Upward light output ratio	0
Luminous Flux	5,127 lm
Correlated Color Temperature (Nom)	3000 K
Color rendering index (CRI)	70
Light source color	730 warm white
Luminaire light beam spread	50° - 4° × 123°
Optic type outdoor	Distribution medium version 24 Performance (for 5050)

Operating and Electrical

Power Consumption	33.1 W
Surge Protection (Common/Differential)	-

Controls and Dimming

Dimmable No

Mechanical and Housing

Housing Color Dark gray

Ingress protection code IP66 [Dust penetration-protected, jet-proof]

Mech. impact protection code IK10 [20 J vandal-resistant]

Standard tilt angle posttop -

Standard tilt angle side entry -

Optical cover type Glass

Emergency Operation

Central Emergency No

Approval and Application

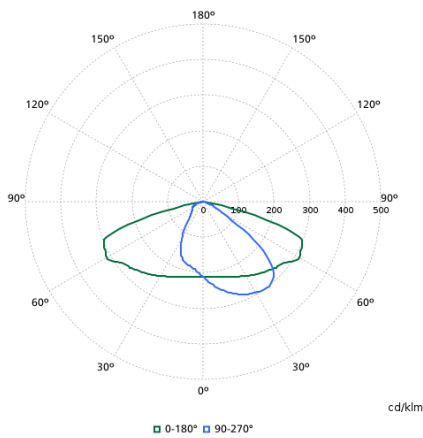
Flammability mark -

CE mark Yes

Product Data

Product family code BSS301 [CityVario Catenary]

Polar normal diagrams



912300060807