



UrbanStar – combining innovative design and LED performance

In residential areas, the familiar conical luminaires equipped with PL-L or HPL lamps can now be replaced by a charming design luminaire incorporating leading-edge LED technology – without losing any of the visual balance and ambiance provided by the former solution. UrbanStar delivers outstanding levels of lighting and energy performance thanks to its optimized LED engine and its application tailored optics. It has been specially designed for residential applications, and its translucent cone delivers very comfortable light.

Benefits

- Up to 40% energy saving compared with PL-L
- Comfortable light creates atmosphere
- Equipped with Service tag, a QR-based identification system that makes each luminaire uniquely identifiable and provides maintenance, installation and spare part information

Applications

- Residential areas

Features

- Optimized optics to deliver efficient and comfortable lighting levels

• Frosted protector

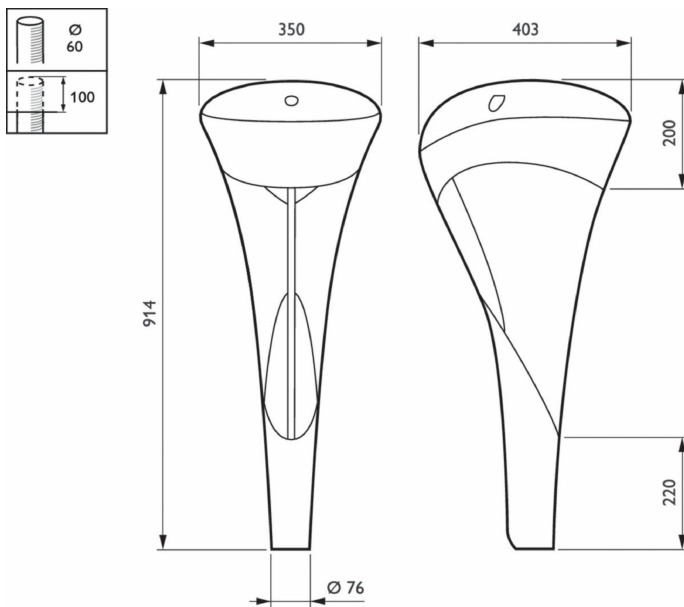
• Uniform light distribution

Versions



OPPr BDS100i 0003

Dimensional drawing



BDS100

General Information

Light source replaceable	Yes
Number of gear units	1 unit
Driver included	Yes
Service tag	Yes

Light Technical

Upward light output ratio	0.03
Correlated Color Temperature (Nom)	4000 K
Color rendering index (CRI)	70
Light source color	740 neutral white

Operating and Electrical

Surge Protection (Common/Differential)	Surge protection level until 6 kV differential mode and 6 kV common mode
--	--

Controls and Dimming

Maximum dim level	20%
-------------------	-----

Mechanical and Housing

Housing Color	Gray
Ingress protection code	IP66 [Dust penetration-protected, jet-proof]
Mech. impact protection code	IK06 [1 J]
Standard tilt angle posttop	0°
Standard tilt angle side entry	-
Optical cover type	Polycarbonate bowl/cover

Approval and Application

Flammability mark	-
CE mark	Yes

Product Data

Product family code	BDS100 [URBANJOY]
---------------------	-------------------

General Information

Order Code	Full Product Name	Lamp family code
912300023988	BDS100 LED22/740 I DM50 DGR CLO C5K	LED22
912300023991	BDS100 LED43/740 I DW50 DGR D9 C1K	LED43

Light Technical

Order Code	Full Product Name	Luminous Flux	Luminaire light beam spread	Optic type outdoor
912300023988	BDS100 LED22/740 I DM50 DGR CLO C5K	1,848 lm	30° - 5° x 153°	Distribution medium 50
912300023991	BDS100 LED43/740 I DW50 DGR D9 C1K	3,741 lm	23° - 8° x 152°	Distribution wide 50

Operating and Electrical

Order Code	Full Product Name	Power Consumption
912300023988	BDS100 LED22/740 I DM50 DGR CLO C5K	13.8 W
912300023991	BDS100 LED43/740 I DW50 DGR D9 C1K	26.5 W

Controls and Dimming

Order Code	Full Product Name	Dimmable
912300023988	BDS100 LED22/740 I DM50 DGR CLO C5K	No
912300023991	BDS100 LED43/740 I DW50 DGR D9 C1K	Yes