



## ClassicStreet: echoing the past, shaped for the future

Evoking the iconic beauty of 20th-century street lanterns, ClassicStreet combines elegant design with the subtle details of heritage luminaires – all while meeting today's urban lighting requirements. Designed around LED, ClassicStreet delivers outstanding levels of lighting and energy performance for street lighting or road lighting, thanks to the LEDGINE-O engine and application-tailored optics. Its gently curved design, together with dedicated brackets and poles, creates a contemporary look that beautifies cities, creating distinctive and warm night and daytime ambiances. Not only in traditional architectural settings, but in modern urban environments too. This contemporary street lighting solution features a System ready (SR) socket, making it future ready to be paired with standalone or advanced control and lighting software applications such as Interact from Signify. ClassicStreet luminaires can also be equipped with our dedicated light recipes that preserve dark skies. In addition, every

ClassicStreet luminaire is uniquely identifiable, thanks to the Signify Service tag app. By simply scanning a QR code, placed inside the door of the mast or directly on the luminaire, you can instantly access the configuration of the luminaire. This makes maintenance and programming operations faster and easier, and enables you to create a digital library of lighting assets and spare parts.

## Benefits

- Distinctive contemporary design inspired by traditional street lanterns
- Best-in-class lighting and energy performance with LEDGINE-O and tailored optics
- Suits traditional, historical architectural settings as well as modern environments
- Service tag for easy installation and maintenance

## Applications

- Road and Street
- Parks and Plazas
- Residential

## Versions



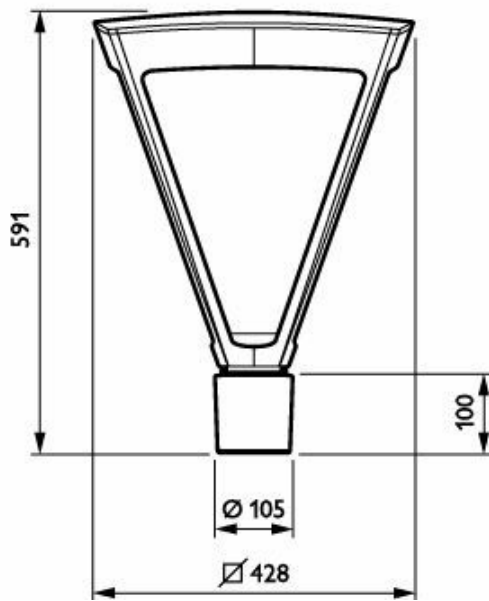
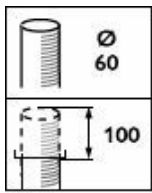
ClassicStreet post top  
white mask

- Main urban roads and streets, side and residential roads and streets
- City centers and historical areas
- Cycle and pedestrian paths, squares, parks and playgrounds

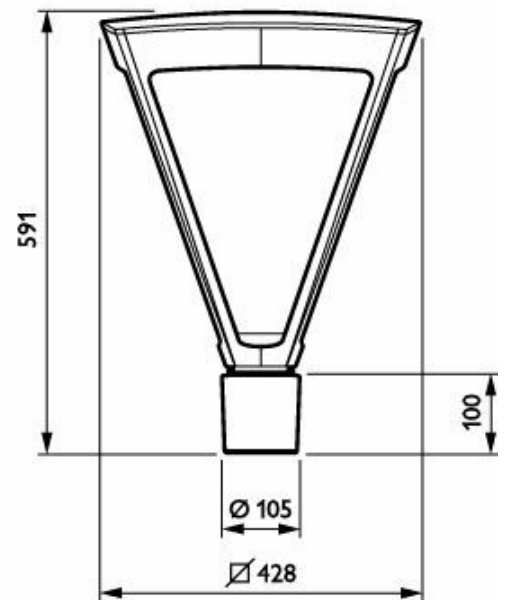
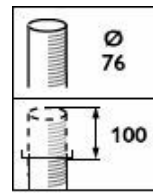
## Features

- Available in post-top lighting and suspended lighting versions
- Dedicated ClassicStreet brackets and poles
- Optimized optics for efficient and comfortable lighting levels
- SR socket ready to be paired with standard and advanced lighting controls

## Dimensional drawing



ClassicStreet Top



ClassicStreet Top

### General Information

Number of gear units	1 unit
Driver included	Yes
Service tag	Yes

### Light Technical

Upward light output ratio	0.03
Number of light sources	20

### Mechanical and Housing

Housing Color	Black
Ingress protection code	IP66 [Dust penetration-protected, jet-proof]
Standard tilt angle posttop	-
Standard tilt angle side entry	-

### Approval and Application

Flammability mark	-
CE mark	Yes

### Product Data

Product family code	BDP794 [CLASSICSTREET TOP]
---------------------	----------------------------

## General Information

Order Code	Full Product Name	Lamp family code	Light source replaceable
912300023849	BDP794 LED53-4S/740 PSU II DS50 MK-WH GF	LED53	No
912300023850	BDP794 LED52-4S/830 PSU II DS50 MK-WH GF	LED52	No
912300023851	BDP794 LED53-4S/740 PSU II DS50 MK-WH GF	LED53	No
912300023852	BDP794 LED42-4S/740 II DS50 MK-WH FG BK	LED42	Yes
912300023858	BDP794 LED42-4S/740 II DW10 MK-WH FG BK	LED42	Yes
912300023859	BDP794 LED53-4S/740 II DW10 MK-WH FG BK	LED53	Yes
912300023860	BDP794 LED63-4S/740 II DW10 MK-WH FG BK	LED63	Yes
912300023861	BDP794 LED52-4S/830 II DW10 MK-WH GF BK	LED52	Yes

## Light Technical

Order Code	Full Product Name	Luminous Flux	Correlated Color Temperature (Nom)	Color rendering index (CRI)	Light source color	Luminaire light beam spread	Optic type outdoor
912300023849	BDP794 LED53-4S/740 PSU II DS50 MK-WH GF	3,348 lm	4000 K	70	740 neutral white	152° x 155°	Distribution symmetrical 50
912300023850	BDP794 LED52-4S/830 PSU II DS50 MK-WH GF	3,172 lm	3000 K	80	830 warm white	152° x 155°	Distribution symmetrical 50
912300023851	BDP794 LED53-4S/740 PSU II DS50 MK-WH GF	3,348 lm	4000 K	70	740 neutral white	152° x 155°	Distribution symmetrical 50
912300023852	BDP794 LED42-4S/740 II DS50 MK-WH FG BK	2,898 lm	4000 K	70	740 neutral white	152° x 155°	Distribution symmetrical 50
912300023858	BDP794 LED42-4S/740 II DW10 MK-WH FG BK	2,993 lm	4000 K	70	740 neutral white	52° - 7° x 151°	Distribution wide 10
912300023859	BDP794 LED53-4S/740 II DW10 MK-WH FG BK	3,796 lm	4000 K	70	740 neutral white	52° - 7° x 151°	Distribution wide 10
912300023860	BDP794 LED63-4S/740 II DW10 MK-WH FG BK	4,320 lm	4000 K	70	740 neutral white	52° - 7° x 151°	Distribution wide 10
912300023861	BDP794 LED52-4S/830 II DW10 MK-WH GF BK	3,250 lm	3000 K	80	830 warm white	52° - 7° x 151°	Distribution wide 10

## Operating and Electrical

Order Code	Full Product Name	Power Consumption	Surge Protection (Common/Differential)
912300023849	BDP794 LED53-4S/740 PSU II DS50 MK-WH GF	33 W	Surge protection level until 6 kV differential mode and 8 kV common mode
912300023850	BDP794 LED52-4S/830 PSU II DS50 MK-WH GF	42 W	Surge protection level until 6 kV differential mode and 8 kV common mode
912300023851	BDP794 LED53-4S/740 PSU II DS50 MK-WH GF	33 W	Surge protection level until 6 kV differential mode and 8 kV common mode
912300023852	BDP794 LED42-4S/740 II DS50 MK-WH FG BK	26 W	Surge protection level until 6 kV differential mode and 8 kV common mode
912300023858	BDP794 LED42-4S/740 II DW10 MK-WH FG BK	25 W	Surge protection level until 10 kV differential mode and 10 kV common mode
912300023859	BDP794 LED53-4S/740 II DW10 MK-WH FG BK	32 W	Surge protection level until 10 kV differential mode and 10 kV common mode
912300023860	BDP794 LED63-4S/740 II DW10 MK-WH FG BK	38.5 W	Surge protection level until 10 kV differential mode and 10 kV common mode
912300023861	BDP794 LED52-4S/830 II DW10 MK-WH GF BK	40.5 W	Surge protection level until 10 kV differential mode and 10 kV common mode

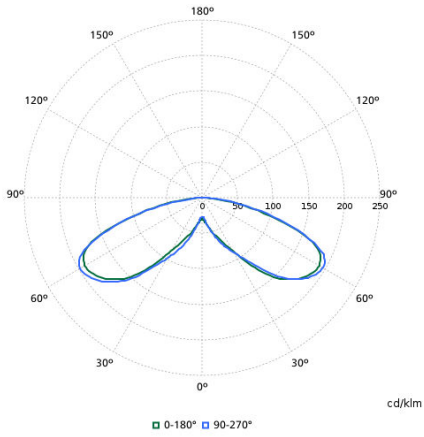
## Controls and Dimming

Order Code	Full Product Name	Dimmable	Maximum dim level
912300023849	BDP794 LED53-4S/740 PSU II DS50 MK-WH GF	No	Not applicable
912300023850	BDP794 LED52-4S/830 PSU II DS50 MK-WH GF	No	Not applicable
912300023851	BDP794 LED53-4S/740 PSU II DS50 MK-WH GF	No	Not applicable
912300023852	BDP794 LED42-4S/740 II DS50 MK-WH FG BK	Yes	10%
912300023858	BDP794 LED42-4S/740 II DW10 MK-WH FG BK	No	Not applicable
912300023859	BDP794 LED53-4S/740 II DW10 MK-WH FG BK	No	Not applicable
912300023860	BDP794 LED63-4S/740 II DW10 MK-WH FG BK	No	Not applicable
912300023861	BDP794 LED52-4S/830 II DW10 MK-WH GF BK	No	Not applicable

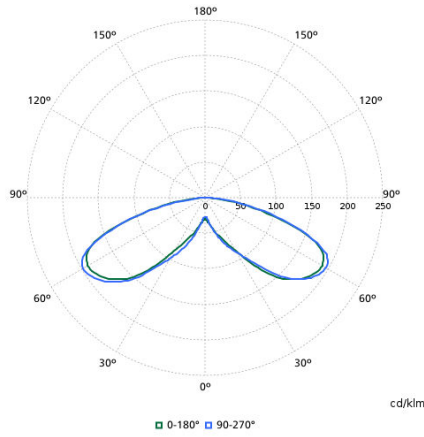
## Mechanical and Housing

Order Code	Full Product Name	Mech. impact protection code	Optical cover type
912300023849	BDP794 LED53-4S/740 PSU II DS50 MK-WH GF	IK08	Glass frosted
912300023850	BDP794 LED52-4S/830 PSU II DS50 MK-WH GF	IK08	Glass frosted
912300023851	BDP794 LED53-4S/740 PSU II DS50 MK-WH GF	IK08	Glass frosted
912300023852	BDP794 LED42-4S/740 II DS50 MK-WH FG BK	IK09	Flat glass
912300023858	BDP794 LED42-4S/740 II DW10 MK-WH FG BK	IK09	Flat glass
912300023859	BDP794 LED53-4S/740 II DW10 MK-WH FG BK	IK09	Flat glass
912300023860	BDP794 LED63-4S/740 II DW10 MK-WH FG BK	IK09	Flat glass
912300023861	BDP794 LED52-4S/830 II DW10 MK-WH GF BK	IK08	Glass frosted

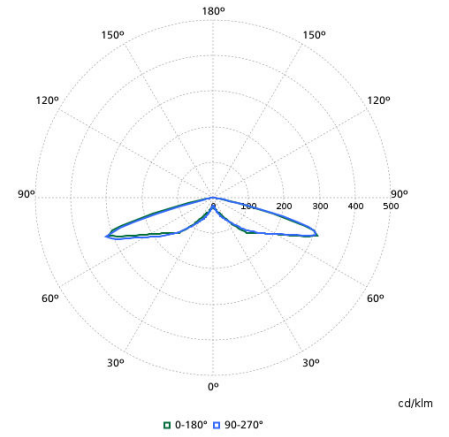
# Polar normal diagrams



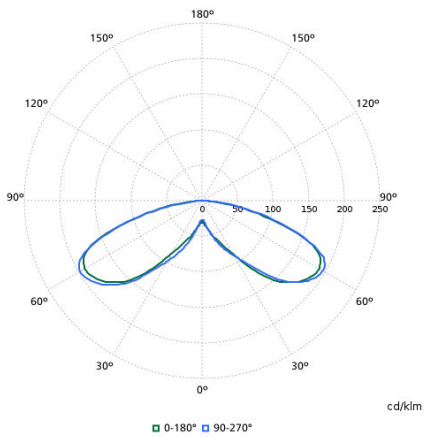
BDP794I - 912300023849



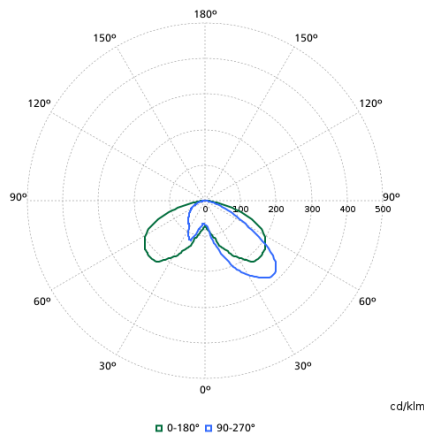
BDP794I - 912300023850



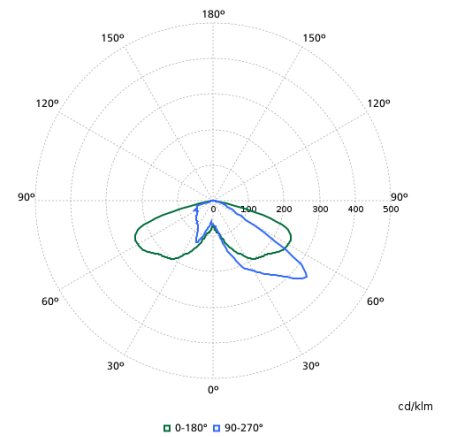
BDP794I - 912300023852



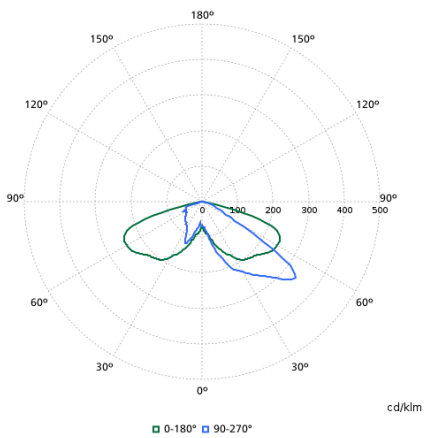
BDP794I - 912300023851



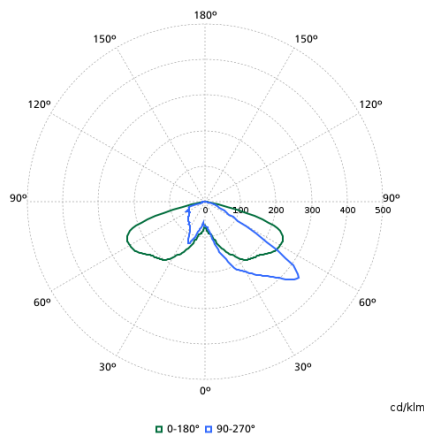
BDP794I - 912300023861



BDP794I - 912300023860



BDP794I - 912300023858



BDP794I - 912300023859