



ClassicStreet: echoing the past, shaped for the future

Evoking the iconic beauty of 20th-century street lanterns, ClassicStreet combines elegant design with the subtle details of heritage luminaires – all while meeting today's urban lighting requirements. Designed around LED, ClassicStreet delivers outstanding levels of lighting and energy performance for street lighting or road lighting, thanks to the LEDGINE-O engine and application-tailored optics. Its gently curved design, together with dedicated brackets and poles, creates a contemporary look that beautifies cities, creating distinctive and warm night and daytime ambiances. Not only in traditional architectural settings, but in modern urban environments too. This contemporary street lighting solution features a System ready (SR) socket, making it future ready to be paired with standalone or advanced control and lighting software applications such as Interact from Signify. ClassicStreet luminaires can also be equipped with our dedicated light recipes that preserve dark skies. In addition, every

ClassicStreet luminaire is uniquely identifiable, thanks to the Signify Service tag app. By simply scanning a QR code, placed inside the door of the mast or directly on the luminaire, you can instantly access the configuration of the luminaire. This makes maintenance and programming operations faster and easier, and enables you to create a digital library of lighting assets and spare parts.

Benefits

- Distinctive contemporary design inspired by traditional street lanterns
- Best-in-class lighting and energy performance with LEDGINE-O and tailored optics
- Suits traditional, historical architectural settings as well as modern environments
- Service tag for easy installation and maintenance

Applications

- Road and Street
- Parks and Plazas
- Residential

Versions



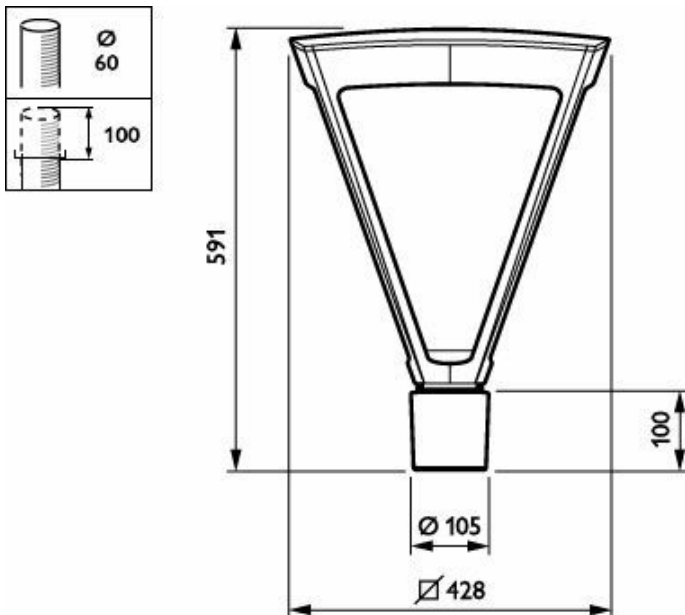
ClassicStreet post top
white mask

- Main urban roads and streets, side and residential roads and streets
- City centers and historical areas
- Cycle and pedestrian paths, squares, parks and playgrounds

Features

- Available in post-top lighting and suspended lighting versions
- Dedicated ClassicStreet brackets and poles
- Optimized optics for efficient and comfortable lighting levels
- SR socket ready to be paired with standard and advanced lighting controls

Dimensional drawing



ClassicStreet Top

General Information

Light source replaceable	Yes
Number of gear units	1 unit
Driver included	Yes
Service tag	Yes

Light Technical

Upward light output ratio	0.03
Number of light sources	20
Luminaire light beam spread	52° - 7° x 151°
Optic type outdoor	Distribution wide 10

Operating and Electrical

Surge Protection (Common/Differential)	Surge protection level until 10 kV differential mode and 10 kV common mode
----------------------------------------	----------------------------------------------------------------------------

Controls and Dimming

Dimmable	No
Maximum dim level	Not applicable

Mechanical and Housing

Housing Color	Black
Ingress protection code	IP66 [Dust penetration-protected, jet-proof]
Standard tilt angle posttop	-
Standard tilt angle side entry	-

Approval and Application

Flammability mark	-
CE mark	Yes

Product Data

Product family code	BDP794 [CLASSICSTREET TOP]
---------------------	----------------------------

General Information

Order Code	Full Product Name	Lamp family code
912300023860	BDP794 LED63-4S/740 II DW10 MK-WH FG BK	LED63
912300023861	BDP794 LED52-4S/830 II DW10 MK-WH GF BK	LED52

Light Technical

Order Code	Full Product Name	Luminous Flux	Correlated Color Temperature (Nom)	Color rendering index (CRI)	Light source color
912300023860	BDP794 LED63-4S/740 II DW10 MK-WH FG BK	4,320 lm	4000 K	70	740 neutral white
912300023861	BDP794 LED52-4S/830 II DW10 MK-WH GF BK	3,250 lm	3000 K	80	830 warm white

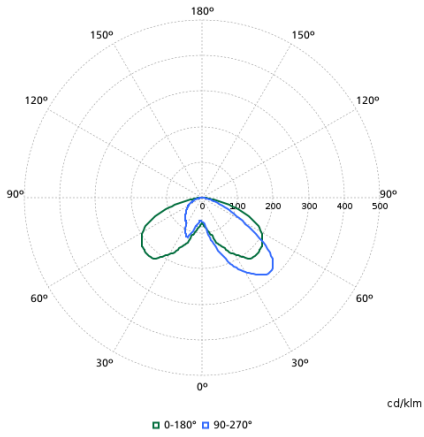
Operating and Electrical

Order Code	Full Product Name	Power Consumption
912300023860	BDP794 LED63-4S/740 II DW10 MK-WH FG BK	38.5 W
912300023861	BDP794 LED52-4S/830 II DW10 MK-WH GF BK	40.5 W

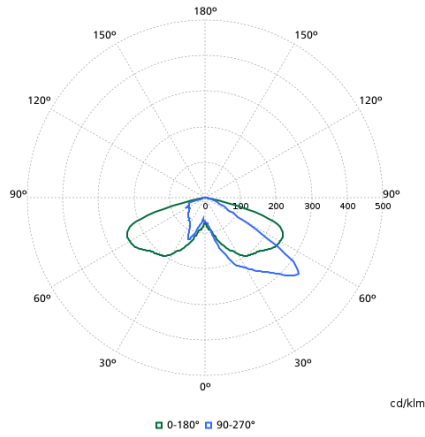
Mechanical and Housing

Order Code	Full Product Name	Mech. impact protection code	Optical cover type
912300023860	BDP794 LED63-4S/740 II DW10 MK-WH FG BK	IK09	Flat glass
912300023861	BDP794 LED52-4S/830 II DW10 MK-WH GF BK	IK08	Glass frosted

Polar normal diagrams



BDP794I - 912300023861



BDP794I - 912300023860