



ClassicStreet - Echoing the past, shaped for the future

ClassicStreet

Recalling the iconic beauty of 20th-century street lanterns, ClassicStreet combines elegant design with the subtle details of heritage luminaires while meeting today's urban lighting requirements. Though echoing the past, the ClassicStreet luminaire is very much shaped for the future. Its gently curved design, together with dedicated brackets and poles, creates a contemporary look that beautifies our cities and creates distinctive and warm night- and daytime ambiances. Not only in historical and traditional architectural settings, but also in more modern urban environments too. Designed around its LED engine, ClassicStreet delivers outstanding levels of lighting and energy performance.

Benefits

- Distinctive contemporary design inspired by traditional street lanterns
- Best-in-class lighting and energy performance
- Fits both traditional and historical architectural settings as well as more modern environments

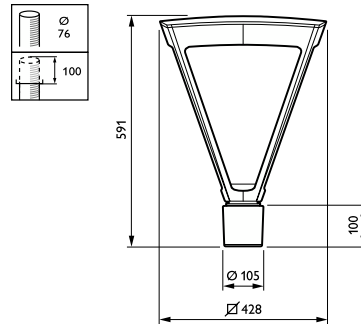
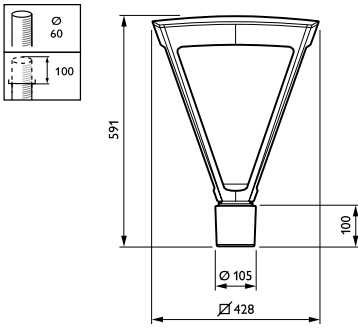
Features

- Available in post-top and suspended versions
- Dedicated ClassicStreet brackets and poles
- Compatible with all Philips standard and advanced public lighting systems
- Optimized optics to deliver efficient and comfortable lighting levels

Application

- City centers
- Roads and streets
- Residential areas
- Parks and plazas

Dimensional drawing



Product details



ClassicStreet-BDP794-1DPP.tif



ClassicStreet-BDP794-2DPP.tif



ClassicStreet-BDP794-3DPP.tif



ClassicStreet-BDP794-4DPP.tif



ClassicStreet-BDP794-5DPP.tif



ClassicStreet-BDP794-6DPP.tif

Product details



ClassicStreet-BDP794-7DPP.tif



ClassicStreet-BDP794-8DPP.tif

General Information	
Driver included	Yes
Number of gear units	1 unit
Service tag	Yes
Light Technical	
Number of light sources	20
Upward light output ratio	0.03
Mechanical and Housing	
Housing Color	Black
Ingress protection code	IP66
Standard tilt angle side entry	-
Standard tilt angle posttop	-
Approval and Application	
CE mark	Yes
Flammability mark	-
Product Data	
Product family code	BDP794

General Information

Order Code	Full Product Name	Lamp family code	Light source replaceable
11679800	BDP794 LED53-4S/740 PSU II DS50 MK-WH GF	LED53	No
11680400	BDP794 LED52-4S/830 PSU II DS50 MK-WH GF	LED52	No
11681100	BDP794 LED53-4S/740 PSU II DS50 MK-WH GF	LED53	No
11682800	BDP794 LED42-4S/740 II DS50 MK-WH FG BK	LED42	Yes
11688000	BDP794 LED42-4S/740 II DW10 MK-WH FG BK	LED42	Yes
11689700	BDP794 LED53-4S/740 II DW10 MK-WH FG BK	LED53	Yes
11690300	BDP794 LED63-4S/740 II DW10 MK-WH FG BK	LED63	Yes
11691000	BDP794 LED52-4S/830 II DW10 MK-WH GF BK	LED52	Yes

Light Technical (1/2)

Order Code	Full Product Name	Luminaire light beam spread	Light source color	Correlated Color Temperature (Nom)	Color rendering index (CRI)
11679800	BDP794 LED53-4S/740 PSU II DS50 MK-WH GF	152° x 155°	740 neutral white	4000 K	70
11680400	BDP794 LED52-4S/830 PSU II DS50 MK-WH GF	152° x 155°	830 warm white	3000 K	80
11681100	BDP794 LED53-4S/740	152° x 155°	740 neutral white	4000 K	70

Order Code	Full Product Name	Luminaire light beam spread	Light source color	Correlated Color Temperature (Nom)	Color rendering index (CRI)
	PSU II DS50 MK-WH GF				
11682800	BDP794 LED42-4S/740 II DS50 MK-WH FG BK	152° x 155°	740 neutral white	4000 K	70
11688000	BDP794 LED42-4S/740 II DW10 MK-WH FG BK	52° - 7° x 151°	740 neutral white	4000 K	70

Order Code	Full Product Name	Luminaire light beam spread	Light source color	Correlated Color Temperature (Nom)	Color rendering index (CRI)
11689700	BDP794 LED53-4S/740 II DW10 MK-WH FG BK	52° - 7° x 151°	740 neutral white	4000 K	70
11690300	BDP794 LED63-4S/740 II DW10 MK-WH FG BK	52° - 7° x 151°	740 neutral white	4000 K	70

Order Code	Full Product Name	Luminaire light beam spread	Light source color	Correlated Color Temperature (Nom)	Color rendering index (CRI)
11691000	BDP794 LED52-4S/830 II DW10 MK-WH GF BK	52° - 7° x 151°	830 warm white	3000 K	80

Light Technical (2/2)

Order Code	Full Product Name	Luminous Flux	Optic type outdoor
11679800	BDP794 LED53-4S/740 PSU II DS50 MK-WH GF	3,348 lm	Distribution symmetrical 50
11680400	BDP794 LED52-4S/830 PSU II DS50 MK-WH GF	3,172 lm	Distribution symmetrical 50
11681100	BDP794 LED53-4S/740 PSU II DS50 MK-WH GF	3,348 lm	Distribution symmetrical 50
11682800	BDP794 LED42-4S/740 II DS50 MK-WH FG BK	2,898 lm	Distribution symmetrical 50

Order Code	Full Product Name	Luminous Flux	Optic type outdoor
11688000	BDP794 LED42-4S/740 II DW10 MK-WH FG BK	2,993 lm	Distribution wide 10
11689700	BDP794 LED53-4S/740 II DW10 MK-WH FG BK	3,796 lm	Distribution wide 10
11690300	BDP794 LED63-4S/740 II DW10 MK-WH FG BK	4,320 lm	Distribution wide 10
11691000	BDP794 LED52-4S/830 II DW10 MK-WH GF BK	3,250 lm	Distribution wide 10

Operating and Electrical

Order Code	Full Product Name	Power Consumption	Surge Protection (Common/Differential)
11679800	BDP794 LED53-4S/740 PSU II DS50 MK-WH GF	33 W	Surge protection level until 6 kV differential mode and 8 kV common mode
11680400	BDP794 LED52-4S/830 PSU II DS50 MK-WH GF	42 W	Surge protection level until 6 kV differential mode and 8 kV common mode
11681100	BDP794 LED53-4S/740 PSU II DS50 MK-WH GF	33 W	Surge protection level until 6 kV differential mode and 8 kV common mode
11682800	BDP794 LED42-4S/740 II DS50 MK-WH FG BK	26 W	Surge protection level until 6 kV differential mode and 8 kV common mode

Order Code	Full Product Name	Power Consumption	Surge Protection (Common/Differential)
11688000	BDP794 LED42-4S/740 II DW10 MK-WH FG BK	25 W	Surge protection level until 10 kV differential mode and 10 kV common mode
11689700	BDP794 LED53-4S/740 II DW10 MK-WH FG BK	32 W	Surge protection level until 10 kV differential mode and 10 kV common mode
11690300	BDP794 LED63-4S/740 II DW10 MK-WH FG BK	38.5 W	Surge protection level until 10 kV differential mode and 10 kV common mode
11691000	BDP794 LED52-4S/830 II DW10 MK-WH GF BK	40.5 W	Surge protection level until 10 kV differential mode and 10 kV common mode

Controls and Dimming

Order Code	Full Product Name	Dimmable	Maximum dim level
11679800	BDP794 LED53-4S/740 PSU II DS50 MK-WH GF	No	Not applicable
11680400	BDP794 LED52-4S/830 PSU II DS50 MK-WH GF	No	Not applicable
11681100	BDP794 LED53-4S/740 PSU II DS50 MK-WH GF	No	Not applicable

Order Code	Full Product Name	Dimmable	Maximum dim level
11682800	BDP794 LED42-4S/740 II DS50 MK-WH FG BK	Yes	10%
11688000	BDP794 LED42-4S/740 II DW10 MK-WH FG BK	No	Not applicable
11689700	BDP794 LED53-4S/740 II DW10 MK-WH FG BK	No	Not applicable

Order Code	Full Product Name	Dimmable	Maximum dim level
11690300	BDP794 LED63-4S/740 II DW10 MK-WH FG BK	No	Not applicable

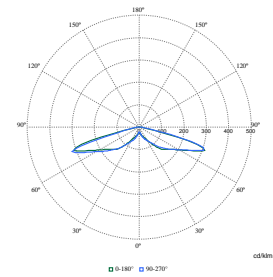
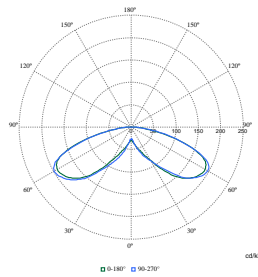
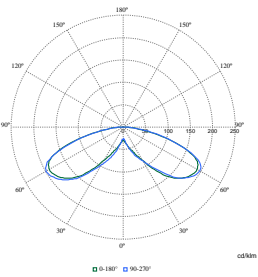
Order Code	Full Product Name	Dimmable	Maximum dim level
11691000	BDP794 LED52-4S/830 II DW10 MK-WH GF BK	No	Not applicable

Mechanical and Housing

Order Code	Full Product Name	Optical cover type	Mech. impact protection code
11679800	BDP794 LED53-4S/740 PSU II DS50 MK-WH GF	Glass frosted	IK08
11680400	BDP794 LED52-4S/830 PSU II DS50 MK-WH GF	Glass frosted	IK08
11681100	BDP794 LED53-4S/740 PSU II DS50 MK-WH GF	Glass frosted	IK08
11682800	BDP794 LED42-4S/740 II DS50 MK-WH FG BK	Flat glass	IK09

Order Code	Full Product Name	Optical cover type	Mech. impact protection code
11688000	BDP794 LED42-4S/740 II DW10 MK-WH FG BK	Flat glass	IK09
11689700	BDP794 LED53-4S/740 II DW10 MK-WH FG BK	Flat glass	IK09
11690300	BDP794 LED63-4S/740 II DW10 MK-WH FG BK	Flat glass	IK09
11691000	BDP794 LED52-4S/830 II DW10 MK-WH GF BK	Glass frosted	IK08

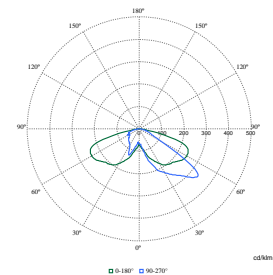
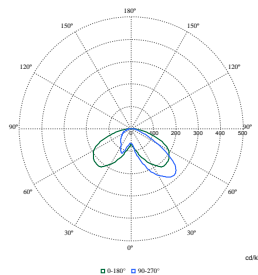
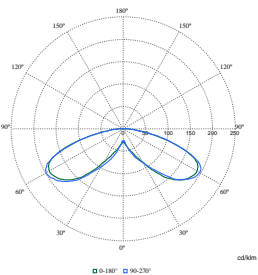
Polar Wide Diagrams



Polar Normal (separate) - BDP794I - 912300023849

Polar Normal (separate) - BDP794I - 912300023850

Polar Normal (separate) - BDP794I - 912300023852

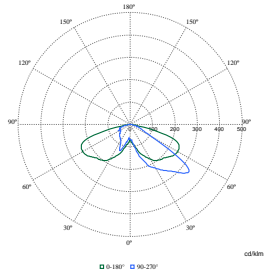


Polar Normal (separate) - BDP794I - 912300023851

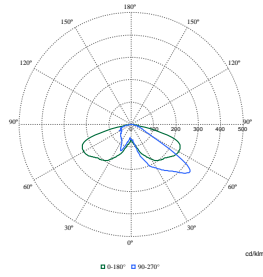
Polar Normal (separate) - BDP794I - 912300023861

Polar Normal (separate) - BDP794I - 912300023860

Polar Wide Diagrams



Polar Normal (separate) - BDP794I -
912300023858



Polar Normal (separate) - BDP794I -
912300023859

