



Villa LED gen2: iconic Iberian four-sided luminaire

Villa LED gen2 is designed to offer the perfect balance between heritage preservation and performance. Designed with the specific proportions and shape of the traditional four-sided luminaires originally used in Madrid in the 19th century, Villa LED gen2 is now widely used for street lighting in historical environments and traditional towns and villages across the Iberian Peninsula. Thanks to the LEDGINE-O engine, and the wide range of application-tailored optics, Villa LED gen2 delivers the right amount of light precisely where it is needed, enabling further energy savings. This urban lamp can even be equipped with our dedicated light recipe that preserves dark skies. Villa LED gen2 is also future ready with a choice of one or two System Ready (SR) sockets that enable the luminaire to be paired with both standalone and advanced control and lighting software applications such as Interact from Signify. In addition, every Villa LED gen2 luminaire is uniquely identifiable, thanks to the Signify Service tag app. By simply scanning a QR code, placed inside the door of the mast or directly on the luminaire,

you can instantly access the configuration of the luminaire. This makes maintenance and programming operations faster and easier, and enables you to create a digital library of lighting assets and spare parts.

Benefits

- Iconic luminaire for contemporary and historical environments
- Covers a wide range of urban lighting applications for roads and streets with different geometries
- Future-proof thanks to SR socket compatible with standard and advanced lighting controls
- Service tag for easy installation and maintenance

Applications

- Main urban roads and streets, side and residential roads and streets
- City centers and historical areas
- Cycle and pedestrian paths, squares, parks and playgrounds

Versions



Villa LED gen2 posttop with spigot

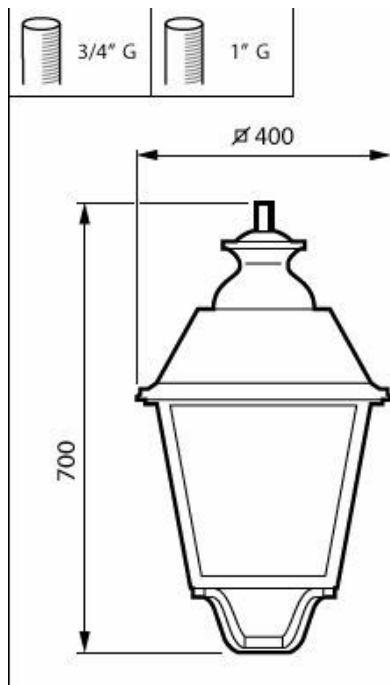


BDP768 BDP651 without spigot RET

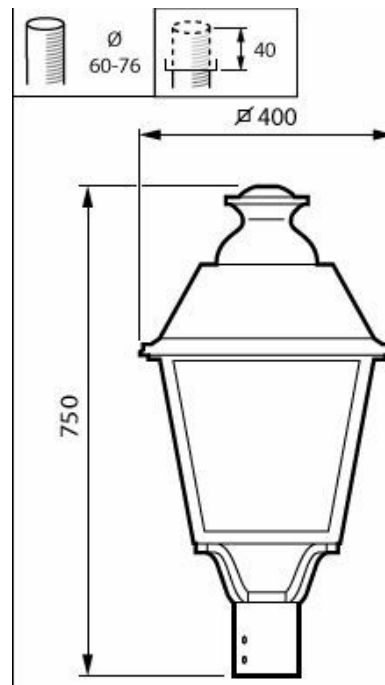


BSP768 & BSP651 40led

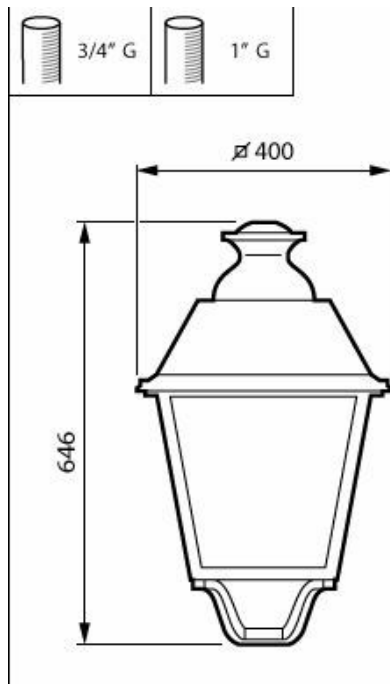
Dimensional drawing



Villa LED gen2 - LED module 5000 lm - 830 warm white - Power supply unit - Safety class II - Distribution medium 50 - Flat glass - Black



Villa LED gen2 - LED module 5000 lm - 830 warm white - Power supply unit - Safety class II - Distribution medium 50 - Flat glass - Black



Villa LED gen2 - LED module 5000 lm - 830 warm white - Power supply unit - Safety class II - Distribution medium 50 - Flat glass - Black

General Information

Lamp family code	LED50 [LED module 5000 lm]
Light source replaceable	Yes
Number of gear units	1 unit
Driver included	Yes
Service tag	Yes

Light Technical

Upward light output ratio	0.01
Luminous Flux	3,450 lm
Correlated Color Temperature (Nom)	3000 K
Color rendering index (CRI)	80
Light source color	830 warm white
Luminaire light beam spread	30° - 5° x 153°
Optic type outdoor	Distribution medium 50

Operating and Electrical

Power Consumption	38 W
Surge Protection (Common/Differential)	Surge protection level until 6 kV differential mode and 8 kV common mode

Controls and Dimming

Dimmable	No
----------	----

Mechanical and Housing

Housing Color	Black
Ingress protection code	IP66 [Dust penetration-protected, jet-proof]
Mech. impact protection code	IK09 [10 J]
Standard tilt angle posttop	-
Standard tilt angle side entry	-
Optical cover type	Flat glass

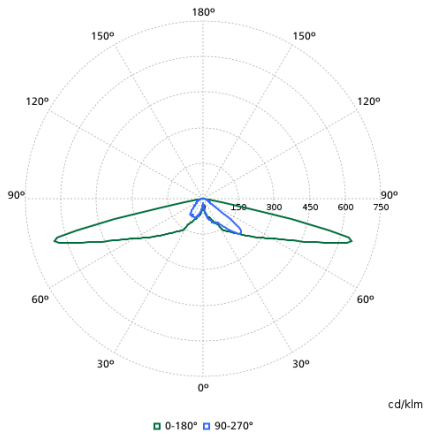
Approval and Application

Flammability mark	-
CE mark	Yes

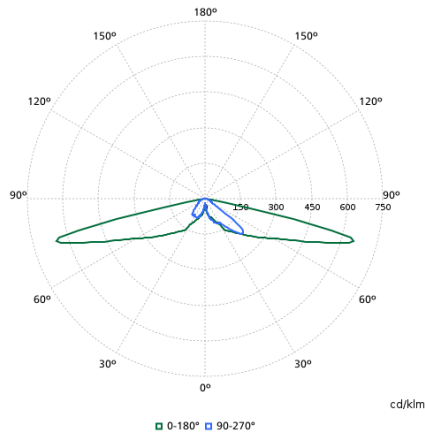
Product Data

Order Code	Full Product Name	Product family code
89200500	BDP768 LED50/830 II DM50 MK-BK FG BALL 6	BDP768
89201200	BDP768 LED50/830 II DM50 MK-BK FG BALL 3	BDP768
88107800	BSP768 LW LED50/830 II DM50 MK-BK FG BAL	BSP768

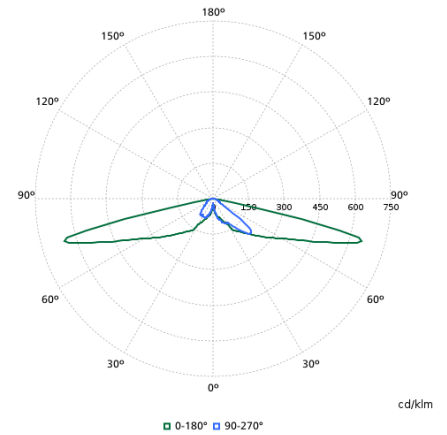
Polar normal diagrams



BDP768I - 912300024430



BDP768I - 912300024528



BDP768I - 912300024527