



## Jargeau LED gen3: combining historical design with modern lighting technology

Jargeau LED gen3 combines the iconic character of the first four-sided street lamps of the 19th century with the technical performance of 21st-century luminaires. Thanks to the energy-efficient LEDGINE-O engine, and wide range of high-performance, application-tailored optics, Jargeau LED gen3 delivers the right amount of light in the right direction on roads and streets, as well as offering excellent energy savings. Designed for installation at heights of four to six metres, this street luminaire is well suited to urban landscapes and is ideal for illuminating city centres, historic areas, old villages, streets, alleys, squares and parks. Jargeau LED gen3 is also future ready with a choice of one or two Signify System Ready (SR) sockets that enable the luminaire to be paired with both standalone and advanced control and lighting software applications such as Interact from Signify. This urban lighting solution can also be equipped with our dedicated light recipe that preserves dark skies. In addition, every

Jargeau LED gen3 luminaire is uniquely identifiable, thanks to the Signify Service tag app. By simply scanning a QR code, placed inside the door of the mast or directly on the luminaire, you can instantly access the configuration of the luminaire. This makes maintenance and programming operations faster and easier, and enables you to create a digital library of lighting assets and spare parts.

## Benefits

- An iconic luminaire for contemporary and historical environments
- Covers a wide range of applications for roads and streets with different geometries
- Future-proof thanks to SR socket compatible with all standard and advanced lighting controls
- Service tag for easy installation and maintenance

## Applications

- Main urban roads and streets, side and residential roads and streets
- City centres and historical areas
- Cycle and pedestrian paths, squares, parks and playgrounds

## Versions



BDP768 BDP651 without  
spigot RET

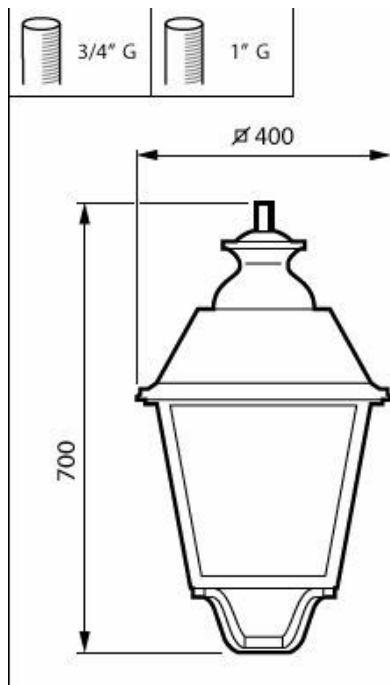


BSP768 & BSP651 40led

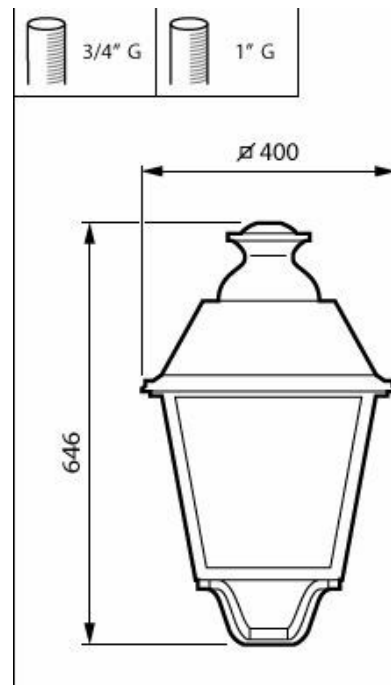
## Features

- Historical shape
- Large choice of different beams, internal louvres to minimise glare
- Variety of mounting options: the luminaire can be combined with different columns, brackets and multiple-arm brackets

## Dimensional drawing



BSP651 LW LED50/830 II DM50 MK-BK PCC BA



BDP651 LED50/830 II DM50 MK-BK PCC BALL

### General Information

Lamp family code	LED50 [LED module 5000 lm]
Light source replaceable	Yes
Number of gear units	Unit
Driver included	Yes
Service Tag	Yes

### Light Technical

Upwards light output ratio	0.01
Luminous Flux	3,250 lm
Correlated Colour Temperature (Nom)	3000 K
Colour rendering index (CRI)	80
Light source colour	830 warm white
Luminaire light beam spread	30° - 5° x 153°
Optic type outdoor	Distribution medium 50

## Operating and Electrical

Power Consumption	38 W
Surge Protection (Common/Differential)	Surge protection level until 6 kV differential mode and 8 kV common mode

## Controls and Dimming

Dimmable	No
----------	----

## Mechanical and Housing

Housing Colour	Black
Ingress protection code	IP66 [Dust penetration-protected, jet-proof]
Mech. impact protection code	IK09 [10 J]
Standard tilt angle post-top	-
Standard tilt angle side entry	-
Optical cover type	Polycarbonate bowl/cover clear

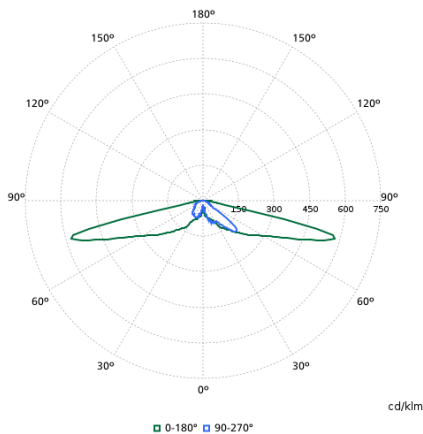
## Approval and Application

Flammability mark	-
CE mark	Yes

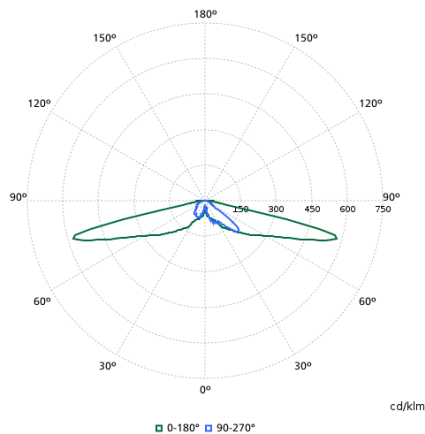
## Product Data

Order Code	Full Product Name	Product family code
912300024529	BDP651 LED50/830 II DM50 MK-BK PCC BALL	BDP651
912300024426	BSP651 LW LED50/830 II DM50 MK-BK PCC BA	BSP651

## Polar normal diagrams



BDP768I - 912300024426



BDP768I - 912300024529

