



## Jargeau LED gen3: combining historical design with modern lighting technology

Jargeau LED gen3 combines the iconic character of the first four-sided street lamps of the 19th century with the technical performance of 21st-century luminaires. Thanks to the energy-efficient LEDGINE-O engine, and wide range of high performance, application-tailored optics, Jargeau LED gen3 delivers the right amount light in the right direction on roads and streets, as well as offering excellent energy savings. Designed for installation at heights of four to six meters, this street lantern is well suited to urban landscapes and is ideal for illuminating city centers, historical areas, old villages, streets, alleys, squares and parks. Jargeau LED gen3 is also future ready with a choice of one or two Signify System Ready (SR) sockets that enable the luminaire to be paired with both standalone and advanced control and lighting software applications such as Interact from Signify. This urban lighting solution can also be equipped with our dedicated light recipe that preserves dark skies. In addition,

every Jargeau LED gen3 luminaire is uniquely identifiable, thanks to the Signify Service tag app. By simply scanning a QR code, placed inside the door of the mast or directly on the luminaire, you can instantly access the configuration of the luminaire. This makes maintenance and programming operations faster and easier, and enables you to create a digital library of lighting assets and spare parts.

## Benefits

- Iconic luminaire for contemporary and historical environments
- Covers a wide range of applications for roads and streets with different geometries
- Future-proof thanks to SR socket compatible with all standard and advanced lighting controls
- Service tag for easy installation and maintenance

## Applications

- Main urban roads and streets, side and residential roads and streets
- City centers and historical areas
- Cycle and pedestrian paths, squares, parks and playgrounds

## Versions



BDP768 BDP651 without spigot RET

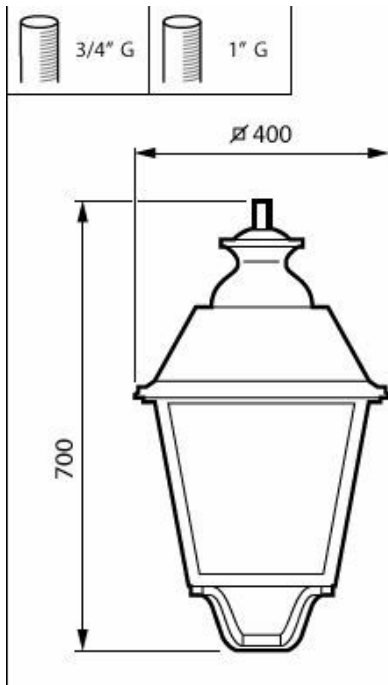


BSP768 & BSP651 40led

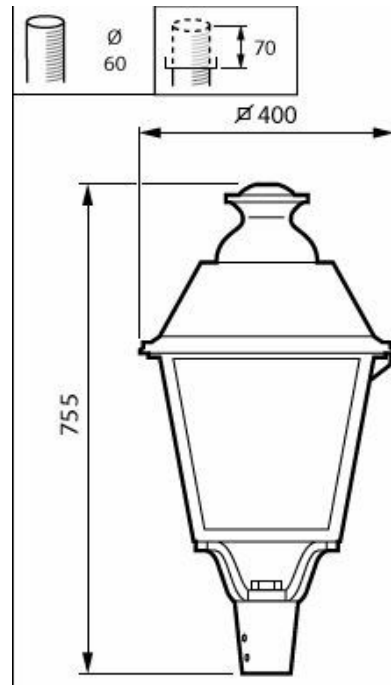


BDP651 40led

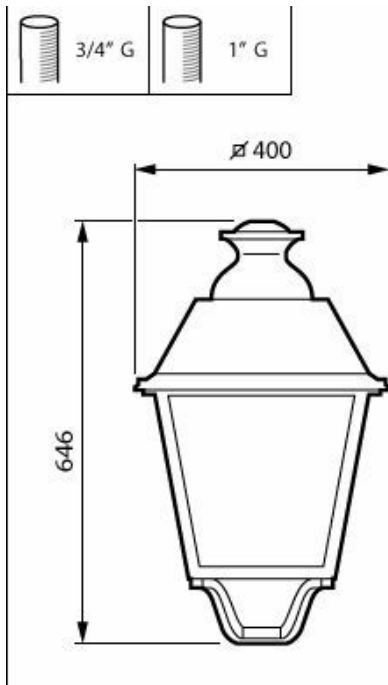
## Dimensional drawing



Jargeau LED gen3 - LED module 5000 lm - 830 warm white - Safety class II - Distribution medium 50 - Polycarbonate bowl/cover clear - Black - Suspension set simple, standard



Jargeau LED gen3 - LED module 5000 lm - 830 warm white - Safety class II - Distribution medium 50 - Polycarbonate bowl/cover clear - Black - Post-top for diameter 60 mm



Jargeau LED gen3 - LED module 5000 lm - 830 warm white - Safety class II - Distribution medium 50 - Polycarbonate bowl/cover clear - Black - -

## General Information

Lamp family code	LED50 [LED module 5000 lm]
Light source replaceable	Yes
Number of gear units	1 unit
Driver included	Yes
Service tag	Yes

## Light Technical

Upward light output ratio	0.01
Correlated Color Temperature (Nom)	3000 K
Color rendering index (CRI)	80
Light source color	830 warm white
Luminaire light beam spread	30° - 5° x 153°
Optic type outdoor	Distribution medium 50

## Operating and Electrical

Power Consumption	38 W
Surge Protection (Common/Differential)	Surge protection level until 6 kV differential mode and 8 kV common mode

## Controls and Dimming

Dimmable	No
----------	----

## Mechanical and Housing

Housing Color	Black
Ingress protection code	IP66 [Dust penetration-protected, jet-proof]
Mech. impact protection code	IK09 [10 J]
Standard tilt angle posttop	-
Standard tilt angle side entry	-
Optical cover type	Polycarbonate bowl/cover clear

## Approval and Application

Flammability mark	-
CE mark	Yes

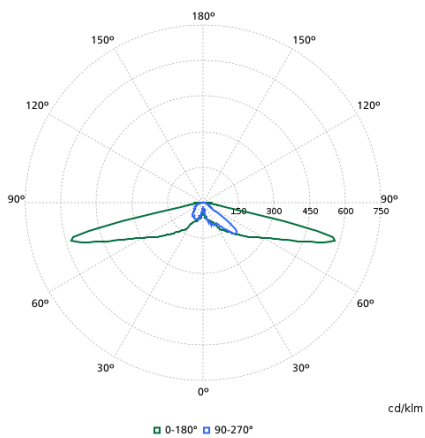
## Light Technical

Order Code	Full Product Name	Luminous Flux
89202900	BDP651 LED50/830 II DM50 MK-BK PCC BALL	3,250 lm
88103000	BSP651 LW LED50/830 II DM50 MK-BK PCC BA	3,250 lm
88102300	BDP651 LW LED50/830 II DM50 MK-BK PCC BA	3,250 lm
03975900	BDP651 LED50/830 II DM50 MK-WH PCC BALL	3,400 lm

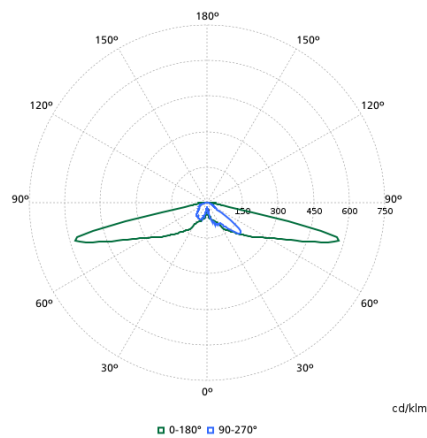
## Product Data

Order Code	Full Product Name	Product family code
89202900	BDP651 LED50/830 II DM50 MK-BK PCC BALL	BDP651
88103000	BSP651 LW LED50/830 II DM50 MK-BK PCC BA	BSP651
88102300	BDP651 LW LED50/830 II DM50 MK-BK PCC BA	BDP651
03975900	BDP651 LED50/830 II DM50 MK-WH PCC BALL	BDP651

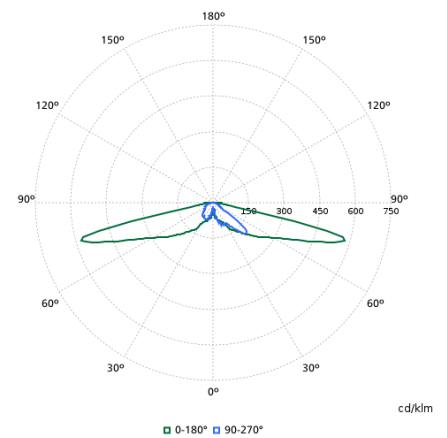
## Polar normal diagrams



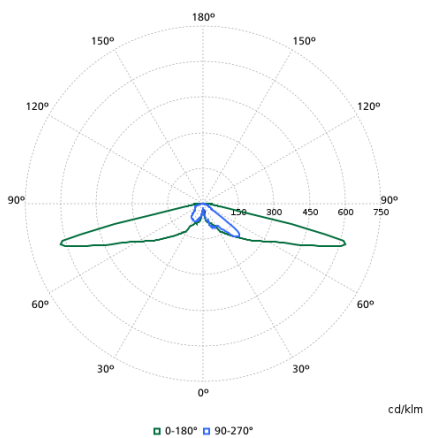
BDP768I - 912300024425



BDP768I - 912300024426



BDP768I - 912300024529



BDP768I - 912300060274

